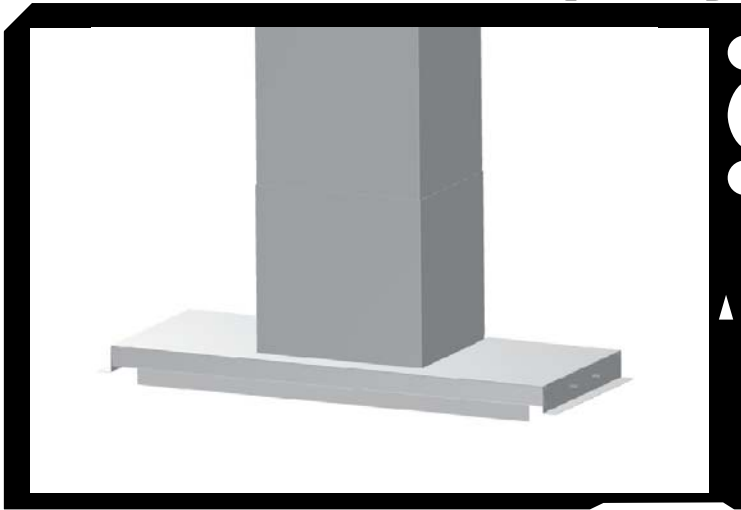


# best®



## Model CC45

ENGLISH.....	2
FRANÇAIS.....	21
ESPAÑOL.....	41

In USA - BEST Hartford, Wisconsin

In CANADA - BEST Drummondville, QC, Canada

REGISTER YOUR PRODUCT ONLINE AT : [www.BestRangeHoods.com/register](http://www.BestRangeHoods.com/register)  
For additional Information visit [www.BestRangeHoods.com](http://www.BestRangeHoods.com)

# READ AND SAVE THESE INSTRUCTIONS

 **INTENDED FOR DOMESTIC COOKING ONLY** 

## **WARNING**

**TO REDUCE THE RISK OF FIRE, ELECTRIC SHOCK, OR INJURY TO PERSONS, OBSERVE THE FOLLOWING:**

1. Use this unit only in the manner intended by the manufacturer. If you have questions, contact the manufacturer at the address or telephone number listed in the warranty.
2. Before servicing or cleaning unit, switch power off at service panel and lock service panel to prevent power from being switched on accidentally. When the service disconnecting means cannot be locked, securely fasten a prominent warning device, such as a tag, to the service panel.
3. Installation work and electrical wiring must be done by a qualified person(s) in accordance with all applicable codes and standards, including fire-rated construction codes and standards.
4. Sufficient air is needed for proper combustion and exhausting of gases through the flue (chimney) of fuel burning equipment to prevent backdrafting. Follow the heating equipment manufacturer's guidelines and safety standards such as those published by the *National Fire Protection Association (NFPA)*, and the *American Society for Heating, Refrigeration and Air Conditioning Engineers (ASHRAE)*, and the local code authorities.
5. When cutting or drilling into wall or ceiling, do not damage electrical wiring and other hidden utilities.
6. Ducted fans must always be vented to the outdoors.
7. Do not use this unit with any separate solid-state speed control device.
8. To reduce the risk of fire, use only metal ductwork.
9. This unit must be grounded.
10. When applicable local regulations require more restrictive installation and/or certification requirements, the aforementioned requirements prevail this document and the installer agrees to conform to these requirements at his own expenses.

**TO REDUCE THE RISK OF A RANGE TOP GREASE FIRE:**

- A. Never leave surface units unattended at high settings. Boilovers cause smoking and greasy spillovers that may ignite. Heat oils slowly on low or medium settings.
- B. Always turn hood ON when cooking at high heat or when cooking flambeing foods. (i.e. Crêpes Suzette, Cherries Jubilee, Peppercorn Beef Flambé).
- C. Clean ventilating fans frequently. Grease should not be allowed to accumulate on fan or filter.
- D. Use proper pan size. Always use cookware appropriate for the size of the surface element.

## **WARNING**

**TO REDUCE THE RISK OF INJURY TO PERSONS IN THE EVENT OF A RANGE TOP GREASE FIRE, OBSERVE THE FOLLOWING:\***

1. **SMOTHER FLAMES** with a close-fitting lid, cookie sheet, or metal tray, then turn off the burner. **BE CAREFUL TO PREVENT BURNS. IF THE FLAMES DO NOT GO OUT IMMEDIATELY, EVACUATE AND CALL THE FIRE DEPARTMENT.**
2. **NEVER PICK UP A FLAMING PAN** - You may be burned.
3. **DO NOT USE WATER**, including wet dishcloths or towels - This could cause a violent steam explosion.
4. Use an extinguisher **ONLY** if:
  - A. You own a Class ABC extinguisher and you know how to operate it.
  - B. The fire is small and contained in the area where it started.
  - C. The fire department has been called.
  - D. You can fight the fire with your back to an exit.

\* Based on "*Kitchen Fire Safety Tips*" published by NFPA.

## CAUTION

---

1. For indoor use only.
2. To reduce risk of fire and to properly exhaust air, be sure to duct air outside. Do not vent exhaust air into spaces within walls or ceilings or into attics, crawl spaces, or garages.
3. Take care when using cleaning agents or detergents.
4. Avoid using food products that produce flames under the Range Hood.
5. For general ventilating use only. Do not use to exhaust hazardous or explosive materials and vapors.
6. To avoid motor bearing damage and noisy and/or unbalanced impellers, keep drywall spray, construction dust, etc. off power unit.
7. Your hood motor has a thermal overload which will automatically shut off the motor if it becomes overheated. The motor will restart when it cools down. If the motor continues to shut off and restart, have the hood serviced.
8. For best capture of cooking impurities, the bottom of the hood should be a minimum of 24" and a maximum of 30" above the cooking surface.
9. Two installers are recommended because of the large size and weight of this hood.
10. Please read specification label on product for further information and requirements.
11. Automatically operated device. To reduce the risk of injury, disconnect power before servicing.
12. **EXTERNAL BLOWER MODELS ONLY:** To reduce risk of fire and electric shock, install this range hood only with Best Exterior Blower Models EB6, EB9, EB12 or EB15 or Best In-Line Blower Models ILB3, ILB6, ILB9 or ILB11. Other blowers cannot be substituted. (Blower sold separately)

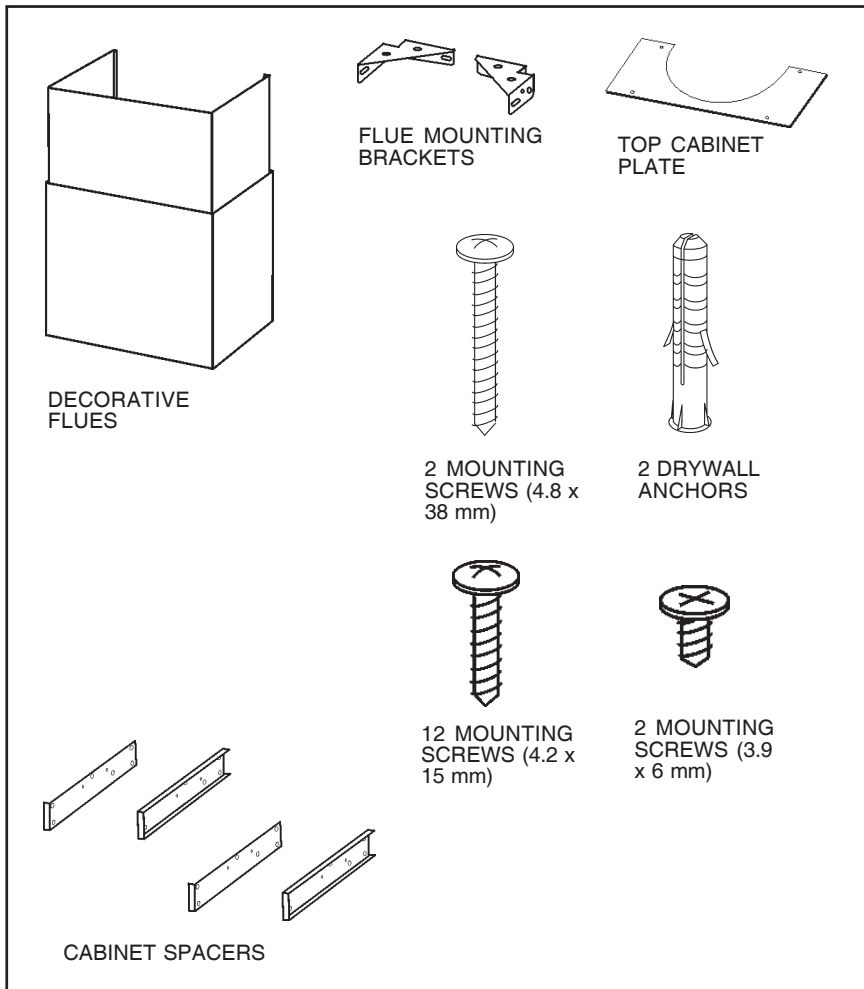
# PREPARE THE HOOD

---

Unpack hood and check contents.

You should receive:

- 1 - Hood
- 1 - Decorative Flues
- 1 - Parts Bag (B080811045) containing:
  - 4 - Cabinet Spacers
  - 2 - Mounting Screws (4.8 x 38 mm)
  - 2 - Drywall Anchors
  - 12 - Mounting Screws (4.2 x 15 mm)
  - 2 - Mounting Screws (3.9 x 6 mm)
  - 2 - Flue Mounting Brackets
  - 1 - Top cabinet Plate
- 1 - Installation Instructions



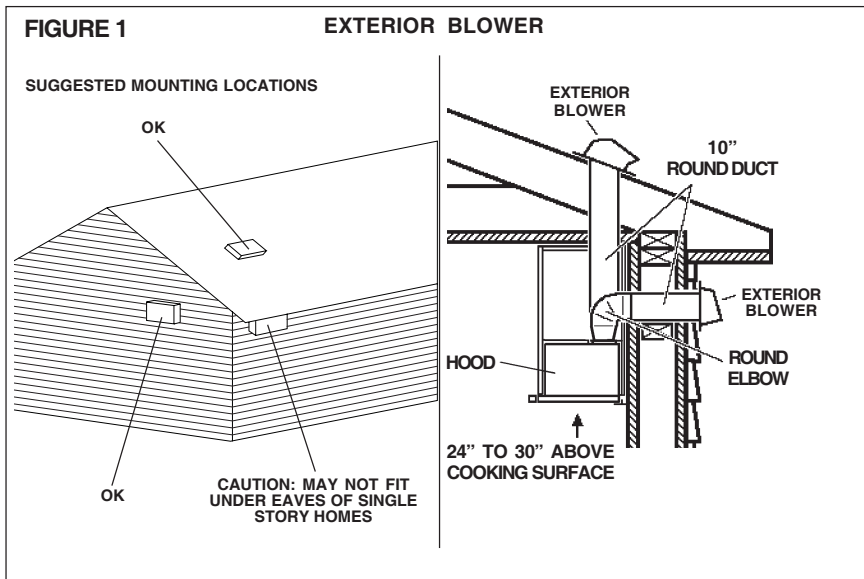
# EXTERIOR AND IN-LINE BLOWER SELECTION

CAUTION: To reduce risk of fire and electric shock, install this range hood only with Best Exterior Blower Models EB6, EB9, EB12 or EB15, and Best In-Line Blower Models ILB3, ILB6, ILB9 or ILB11. Other blowers cannot be substituted.

## INSTALL THE DUCTWORK

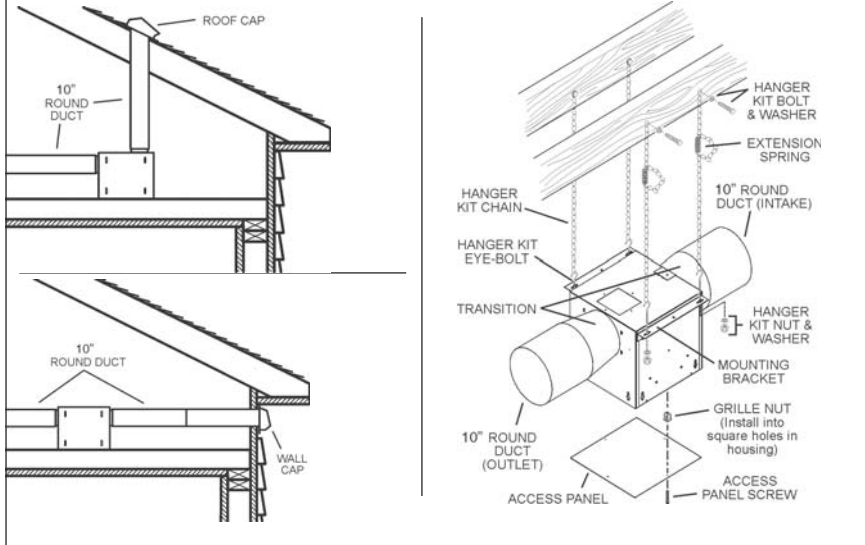
**NOTE: To reduce the risk of fire, use only metal ductwork.**

1. Choose the location where the Exterior Blower or In-Line Blower will be mounted. See illustrations below for mounting location suggestions and restrictions.
2. A straight, short duct run will allow the hood to perform most efficiently.
3. Long duct runs, elbows and transitions will reduce the performance of the hood. Use as few of them as possible. Larger ducting may be required for best performance with long duct runs.
4. After the Exterior or In-Line Blower has been installed, connect round metal ductwork and work back towards the hood location. Use duct tape to seal joints between ductwork sections.



**FIGURE 2**

**IN-LINE BLOWER**

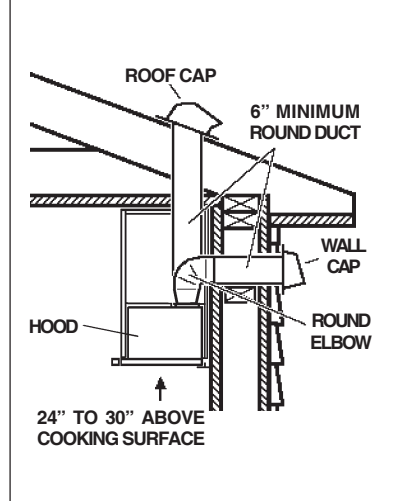


**INSTALL THE DUCTWORK**

**NOTE:** To reduce the risk of fire, use only metal ductwork.

1. Decide where the ductwork will run between the hood and the outside.
2. A straight, short duct run will allow the hood to perform most efficiently.
3. Long duct runs, elbows, and transitions will reduce the performance of the hood. Use as few of them as possible.
4. Install a roof or wall cap. Connect 10" round metal ductwork to cap and work back towards hood location. Use duct tape to seal the joints between ductwork sections (Fig.3).

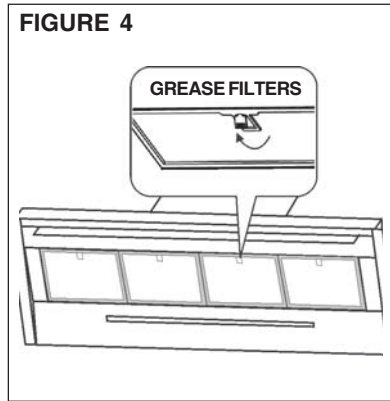
**FIGURE 3**



## PREPARE THE HOOD

1. Remove the grease filters by pulling down in the filter latch, and pull the filter downwards (Fig. 4); repeat for all filters.
2. Remove (2) grease filter spacers, unscrewing (4) screws (Figure 5).

FIGURE 4



## INSTALLATION

**Remove the plastic protective film from all exterior surfaces, decorative flues and filters, prior to final installation**

The hood is intended to be installed inside a cabinet.

**ATTENTION:** 2 people are required for proper installation; the unit should be installed by a qualified operator.

For the cabinet measurements, refer to Figure 6 and 7.

For new construction it is recommended to install a wood support that is flush with interior surface of wall studs (Figure 11 ).

Make sure:

a) the wood support is centered over installation location.

b) the height of the wood support will allow the hood to be installed within the dimensions shown.

Notes: Minimum cabinet hood distance above cook top must not be less than 24". A maximum of 30" above cook top is highly recommended for best capture of cooking impurities. Distances over 30" are the installer and user discretion.

FIGURE 5

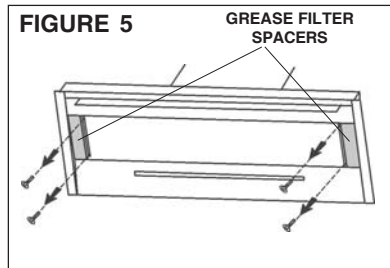


FIGURE 6

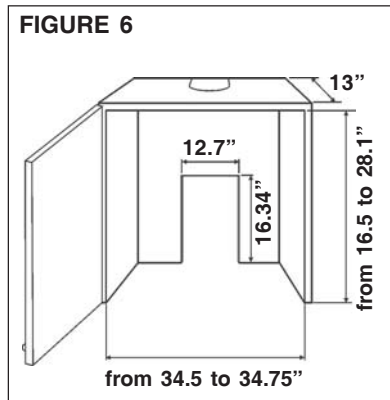
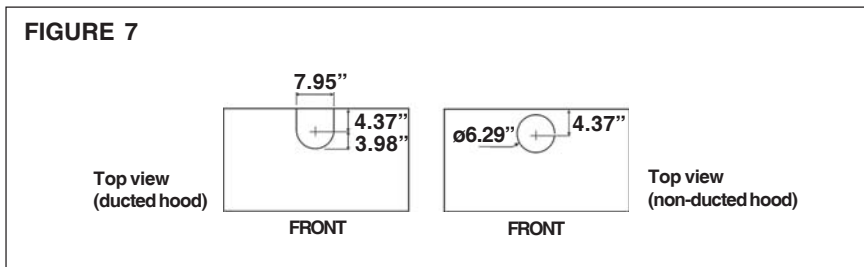


FIGURE 7



1. Use the supplied template to make (4) holes in the upper part of the cabinet. Secure top cabinet plate to the cabinet by means (4) 4.2x15mm wood screws. Refer Figure 8.

2. Only NON-DUCTED HOODS:

Install the flange to the cabinet by means (3) wood screws (4.2 x 15 mm) supplied. Refer Figure 9.

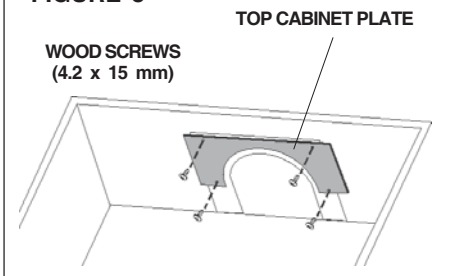
3. FOR DECORATIVE FLUE INSTALLATION:

Use the supplied template to make (2) holes in the upper part of the cabinet. Secure flue mounting bracket to the cabinet by means (4) 4.2x15mm wood screws. Refer Figure 10.

4. Select the correct cabinet spacers according to the inside width of the cabinet, refer Fig.12:

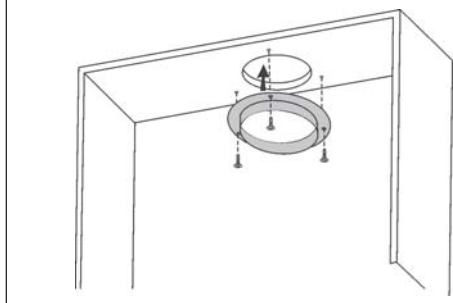
- for cabinets with an inside width of 34.5", use 0.28" wide spacers.
- for cabinets with an inside width of 34.75", use 0.40" wide spacers.

**FIGURE 8**



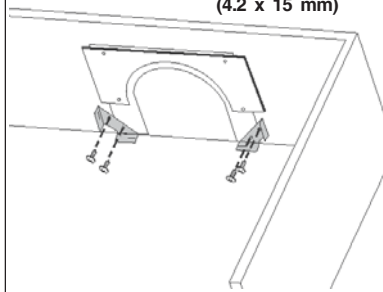
**FIGURE 9**

**WOOD SCREWS  
(4.2 x 15 mm)**



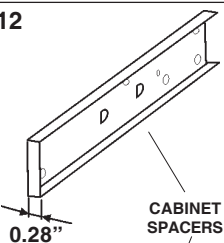
**FIGURE 10**

**WOOD SCREWS  
(4.2 x 15 mm)**

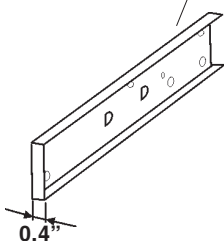


**FIGURE 12**

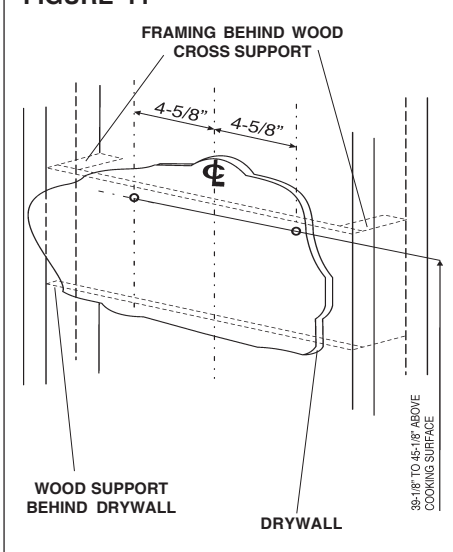
**inside  
cabinet  
width  
34.5"**



**inside  
cabinet  
width  
34.75"**

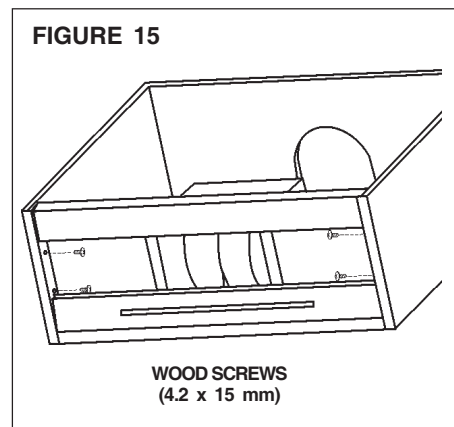
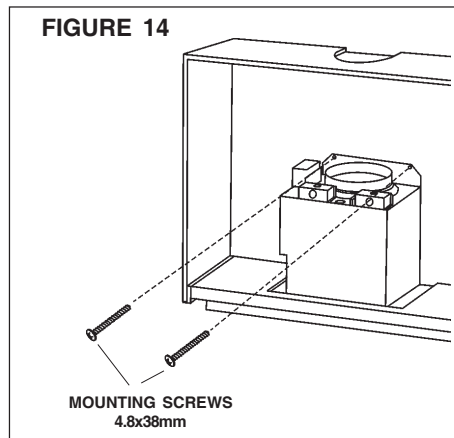
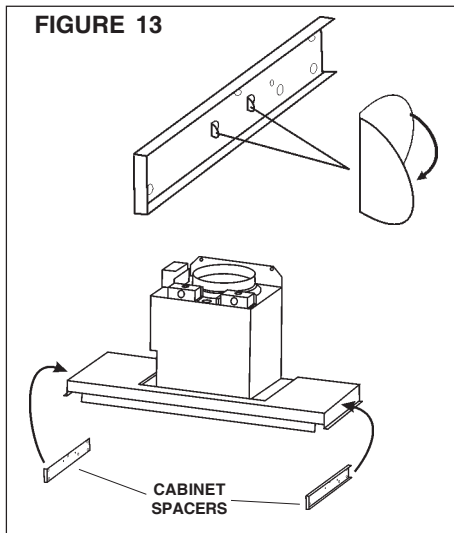


**FIGURE 11**





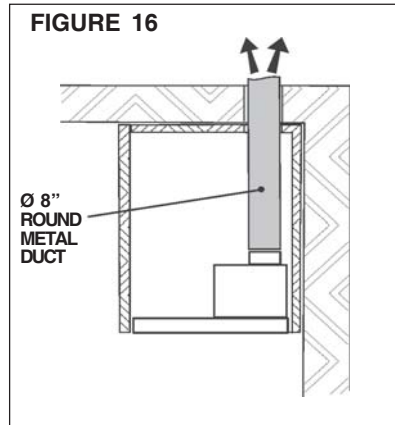
5. Secure the (2) cabinet spacers to the sides of the hood with tape (do not attach with screws). Refer Figure 13.
6. Install the hood using the (2) 4.8 x 38mm screws anchors optional drywall. Refer Fig.14.
7. Secure the hood and cabinet spacers to the cabinet using the 4 wood screws (4.2 x 15 mm) supplied. Refer Figure 15.
8. Replace (2) grease filter spacers and (4) grease filters removed in step 2.



## CONNECT DUCTWORK

### (DUCTED HOODS ONLY)

1. Use 8" round metal duct to connect the discharge collar on the hood to the ductwork above. Refer Figure 16.
2. Use duct tape to make all joints secure and air tight.

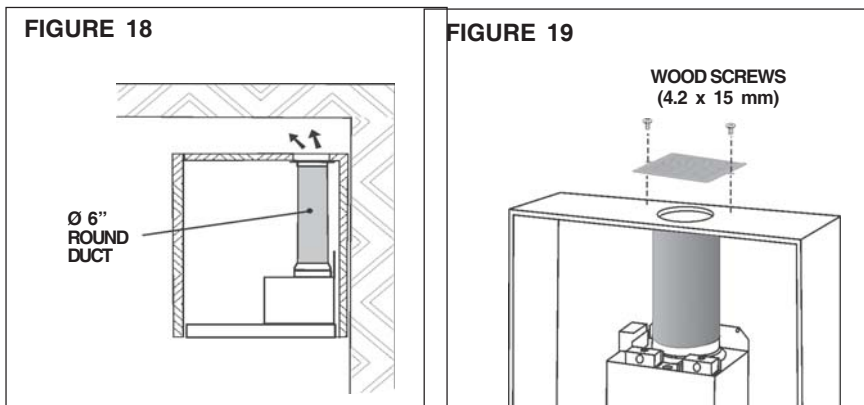
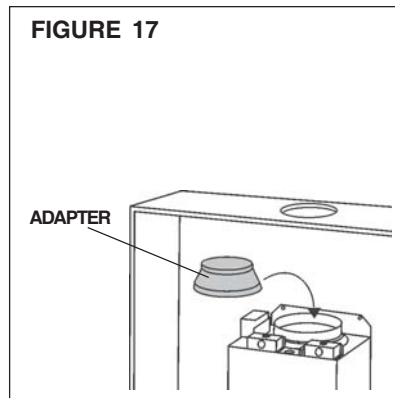


## NON-DUCTED INSTALLATION

### (NON-DUCTED HOODS ONLY)

When used in recirculation mode, To Reduce the Risk of Fire and Shock use only conversion kit Model ANKCC45.

1. Install the adapter on the air outlet. Refer Figure 17.
2. Refer to Figure 18. Connect 6" round duct to the discharge opening so that the air is sent outside the cabinet and sent back into the room.
3. Use duct tape to make all joints secure and air tight.
4. Refer to Figure 19. Install the non-ducted grid by means (2) wood screws (4.2 x 15 mm) supplied.

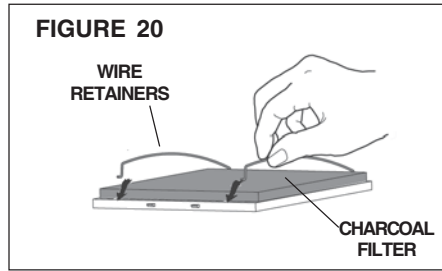


## **NON-DUCTED RECIRCULATION FILTERS INSTALLATION (NON-DUCTED HOODS ONLY)**

---

Non-ducted recirculation filters are included with kit ANKCC45.

1. Replacement non-ducted recirculation filters can be purchased separately (AECC45SB).
2. Position the non-ducted recirculation filter over the grease filter and block it by means (2) wire retainers. Refer Figure 20.



## WIRING

**Note:** This range hood must be properly grounded. The unit should be installed by a qualified electrician in accordance with all applicable national and local electrical codes.

1. Remove the **wiring box cover**. Remove a knockout from the wiring box (Fig.21).
2. Secure the supply wire to the wiring box with an appropriate connector.
3. Make electrical connections. Connect white to white, black to black and green to green.
4. Replace wiring box cover and screws. Make sure that wires are not pinched between cover and box.

## EXTERNAL BLOWER WIRING

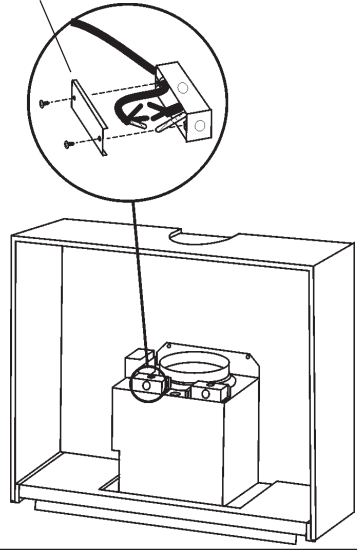
1. Run 2-wire plus ground power cable from the exterior blower to the hood's wiring box marked "motor connection" (Fig.22).
2. Remove the cover from the wiring box and remove one knockout.
3. Feed 6" of cable through the knockout and secure the cable to the wiring box with an appropriate connector.
4. Make electrical connections at the hood. Connect white-to-white, **red-to-black** and green-to-ground.
5. Replace the wiring box cover and screws. Make sure wires are not pinched between the cover and box.

### Exterior blower connection:

1. Make electrical connections at the exterior blower (see instructions provided with the exterior blower).

**FIGURE 21**

WIRING BOX  
COVER

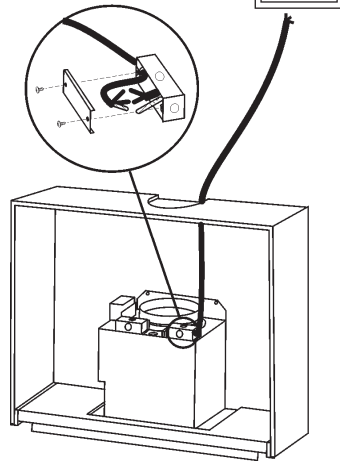


**FIGURE 22**

CONNECT:  
WHITE-TO-WHITE,  
RED-TO-BLACK,  
GREEN-TO-GROUND.

EXTERIOR BLOWER  
OR "IN-LINE"

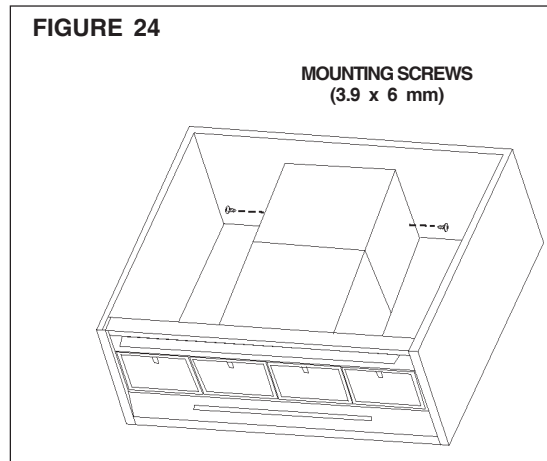
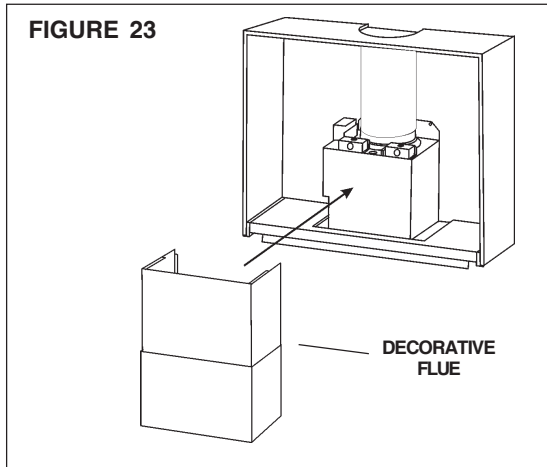
BOX MARKED  
"MOTOR  
CONNECTION"



## **DECORATIVE FLUE INSTALLATION**

---

1. Place the decorative flue in to the cabinet. Refer Figure 23.
2. Fix the decorative flue to the mounting bracket by means (2) 3.9x6mm mounting screws. Refer Figure 24.
3. Purchase Upper Flue Kit AECC45SB from your dealer if the inside height of cabinet is greater than 28.1”.

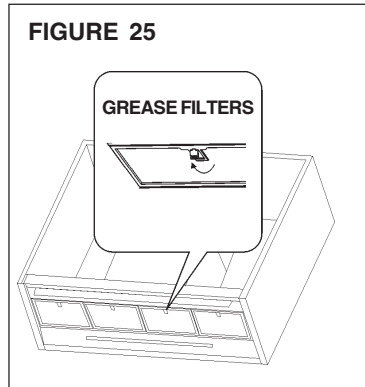


## MAINTENANCE

Proper maintenance of the Range Hood will assure proper performance of the unit.

**BEFORE SERVICING OR CLEANING UNIT, SWITCH POWER OFF AT SERVICE PANEL AND LOCK SERVICE PANEL AND LOCK SERVICE DISCONNECTING MEANS TO PREVENT POWER FROM BEING SWITCHED ON ACCIDENTALLY.**

**WHEN THE SERVICE DISCONNECTING MEANS CANNOT BE LOCKED, SECURELY FASTEN A PROMINENT WARNING DEVICE, SUCH AS A TAG, TO THE SERVICE PANEL.**



### ***Grease filters***

The grease filters should be cleaned periodically depending upon use (approximately every two (2) months).

Use a warm detergent solution. Grease filters are dishwasher safe. Clean all-metal filters in the dishwasher using a non-phosphate detergent. Discoloration of the filter may occur if using phosphate detergent or as a result of local water conditions — but this will not affect filter performance. This discoloration is not covered by the warranty.

To remove the grease filters, pull down on the filter latch and pull the filter downwards (Fig. 25); remove the other filter in the same way.

### ***Non-ducted recirculation filters***

The charcoal filters should be changed every 3/6 months. Remove the wire retainers and replace non-ducted recirculation filters.

### ***Hood Cleaning***

Stainless steel is one of the easiest materials to keep clean. Occasional care will help preserve its fine appearance.

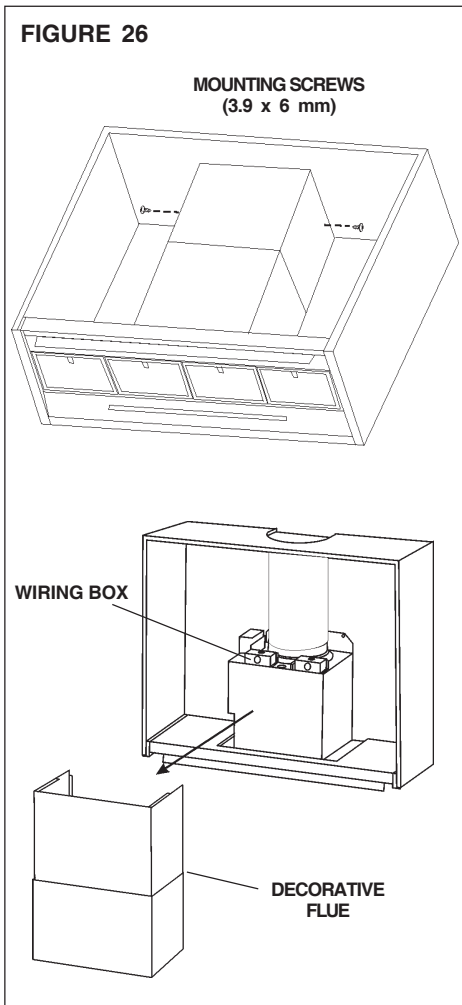
Cleaning tips:

- Hot water with soap or detergent is all that is usually needed.
- Follow all cleaning by rinsing with clear water. Wipe dry with a clean, soft cloth to avoid water marks.
- For discolorations or deposits that persist, use a non-scratching household cleanser or stainless steel polishing powder with a little water and a soft cloth.
- For stubborn cases, use a plastic scouring pad or soft bristle brush together with cleanser and water. Rub lightly in direction of polishing lines or "grain" of the stainless finish. Avoid using too much pressure which may mar the surface.
- **DO NOT** allow deposits to remain for long periods of time.
- **DO NOT** use ordinary steel wool or steel brushes. Small bits of steel may adhere to the surface causing rust.
- **DO NOT** allow salt solutions, disinfectants, bleaches, or cleaning compounds to remain in contact with stainless steel for extended periods. Many of these compounds contain chemicals which may be harmful. Rinse with water after exposure and wipe dry with a clean cloth.
- Surfaces should be cleaned with warm water and mild detergent only.

## HOW TO ACCESS THE WIRING BOX

---

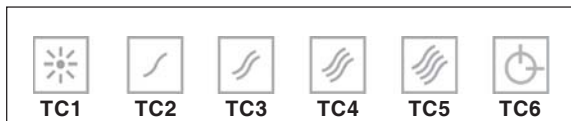
For access to the wiring boxes, remove decorative flue unscrewing (2) 3.9x6mm mounting screws. Refer Figure 26.



## OPERATION

---

- **Note: Avoid using food products that produce flames under the range hood.**



### **Button TC1 (Lights)**

Turns the lights on to High intensity, Medium intensity, Lower intensity, and turns them OFF.

### **Button TC2**

Motor ON/OFF - Activates the blower at low speed.

### **Button TC3**

Activates the blower at medium low speed.

### **Button TC4**

Activates the blower at medium high speed.

### **Button TC5**

Activates the motor at 4th speed.

### **Button TC6 (TIMER auto power off 10 min.)**

Activates the TIMER function at the blower speed that has already been selected. If the blower is NOT active, it switches on the blower at the low speed and activates the TIMER function. When the TIMER function is active, TC6 light will blink.

### **Cleaning Mode**

Pressing TC1 and TC6 simultaneously for 2 seconds to activate the glass cleaning function. When the function is active the system does not recognize any key. When the cleaning Mode is active TC1 and TC6 backlight will stay on. The function will remain on for maximum 5 minutes. To exit the Cleaning Mode press TC1 and TC6 simultaneously for 2 seconds or wait 5 minutes.

### **30h filter CLEAN REMINDER**

After 30 hours of blower operation, an alarm will signal the need to clean the grease filters. The filter alarm, activates for 30 sec each time the blower is turned off and TC6 light will stay on. During this period, it is possible to reset the alarm by pressing the TC6 button for longer than a second.

### **120h non duct filter REPLACEMENT REMINDER**

After 120 hours of operation, an alarm will signal the need to replace the non duct filters. The filter alarm, activates for 30 sec each time the blower is turned off and TC6 light will stay on:  
TC6 lighting blinking. During this period, it is possible to reset the alarm by pressing the TC6 button for longer than a second.

### **Buzzer**

The Buzzer emits a "beep" each time that a command is set from the keyboard or optional remote control.

### **HEAT SENTRY™**

Your hood is equipped with a HEAT SENTRY™ thermostat. This thermostat is a device that will turn on or speed up the blower if it senses excessive heat above the cooking surface.

- 1) If blower is OFF - it turns blower ON to HIGH speed.
  - 2) If blower is ON at a lower speed setting - it turns blower up to HIGH speed.
- When the temperature level drops to normal, the blower will return to its original setting.

### **WARNING**

**The HEAT SENTRY thermostat can start the blower even if the hood is turned OFF.**



When this occurs, it is impossible to turn the blower OFF with its switch. If you must stop the blower, do it from the main electrical panel.

## LIGHTING

---

If the light led is damaged, it must be replaced only by the manufacturer, its service agent or similarly qualified persons in order to avoid a hazard.

## WARRANTY

---

### ONE YEAR LIMITED WARRANTY FOR BEST PRODUCTS

Broan-NuTone LLC (Broan-NuTone) warrants to the original consumer purchaser of Best products that such products will be free from defects in materials or workmanship for a period of one year from the date of original purchase. THERE ARE NO OTHER WARRANTIES, EXPRESS OR IMPLIED, INCLUDING, BUT NOT LIMITED TO, IMPLIED WARRANTIES OR MERCHANTABILITY OR FITNESS FOR A PARTICULAR PURPOSE.

During this one-year period, Broan-NuTone will, at its option, repair or replace, without charge, any product or part which is found to be defective under normal use and service.

THIS WARRANTY DOES NOT EXTEND TO FLUORESCENT LAMP STARTERS, TUBES, HALOGEN AND INCANDESCENT BULBS, FUSE, FILTERS, DUCTS, ROOF CAPS, WALL CAPS AND OTHER ACCESSORIES FOR DUCTING. This warranty does not cover (a) normal maintenance and service or (b) any products or parts which have been subject to misuse, negligence, accident, improper maintenance or repair (other than by Broan-NuTone), faulty installation or installation contrary to recommended installation instructions.

The duration of any implied warranty is limited to the one-year period as specified for the express warranty. Some states do not allow limitation on how long an implied warranty lasts, so the above limitation may not apply to you.

BROAN-NUTONE'S OBLIGATION TO REPAIR OR REPLACE, AT BROAN-NUTONE'S OPTION, SHALL BE THE PURCHASER'S SOLE AND EXCLUSIVE REMEDY UNDER THIS WARRANTY. BROAN-NUTONE SHALL NOT BE LIABLE FOR INCIDENTAL, CONSEQUENTIAL OR SPECIAL DAMAGES ARISING OUT OF OR IN CONNECTION WITH PRODUCT USE OR PERFORMANCE. Some states do not allow the exclusion or limitation of incidental or consequential damages, so the above limitation or exclusion may not apply to you.

This warranty gives you specific legal rights, and you may also have other rights, which vary from state to state. This warranty supersedes all prior warranties.

To qualify for warranty service, you must (a) notify Broan-NuTone at the address stated below or telephone number stated below, (b) give the model number and part identification and (c) describe the nature of any defect in the product or part. At the time of requesting warranty service, you must present evidence of the original purchase date.

In USA - Best®, 926 W. State Street, Hartford, WI 53027 (800-558-1711)  
In Canada - Best®, 550 Lemire Blvd., Drummondville, QC J2C 7W9 (866-737-7770)  
[www.BestRangeHoods.com](http://www.BestRangeHoods.com)

## SERVICE PARTS

**CC45I90SB**

KEY NO.	PART NO.	DESCRIPTION
9	B08087772	Grease Filter
14	99271379	Capacitor
26	B023004301	LED
37	B02300804	Heat Sentry
73	B002090443	Glass
113	B02011550	Logo
115	BE3350233	Wiring Box
165	B03295008	Capacitor Box
485	B08016412	Decorative Flue Assembly
ARU	B08092501	Duct Connector Assembly 8"
AQI	B06102788	Switch Box Assembly
IME	B06142997	Electrical Installation Assembly
CAS	B06002309U	Blower Assembly
998	B080811045	Parts Bag
-	ANKCC45	Non-Ducted Kit
-	AFCCC45	Charcoal filter replacement pack (4 filters included)

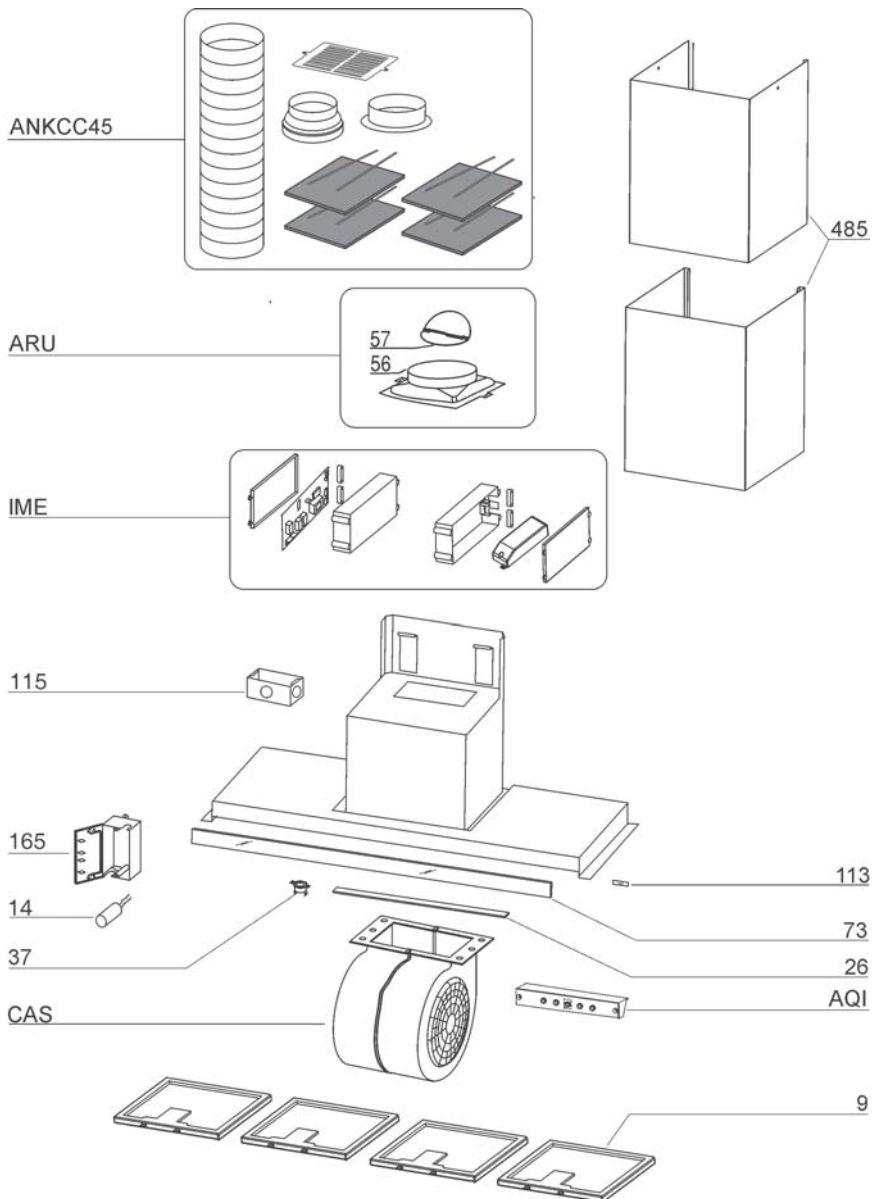
## SERVICE PARTS

**CC45E90SB**

KEY NO.	PART NO.	DESCRIPTION
9	B08087772	Grease Filter
26	B023004301	LED
37	B02300804	Heat Sentry
73	B002090443	Glass
113	B02011550	Logo
115	BE3350233	Wiring Box
485	B08016412	Decorative Flue Assembly
ARU	B08092501	Duct Connector Assembly 8"
AQI	B06102789	Switch Box Assembly
IME	B06142996	Electrical Installation Assembly
998	B080811045	Parts Bag

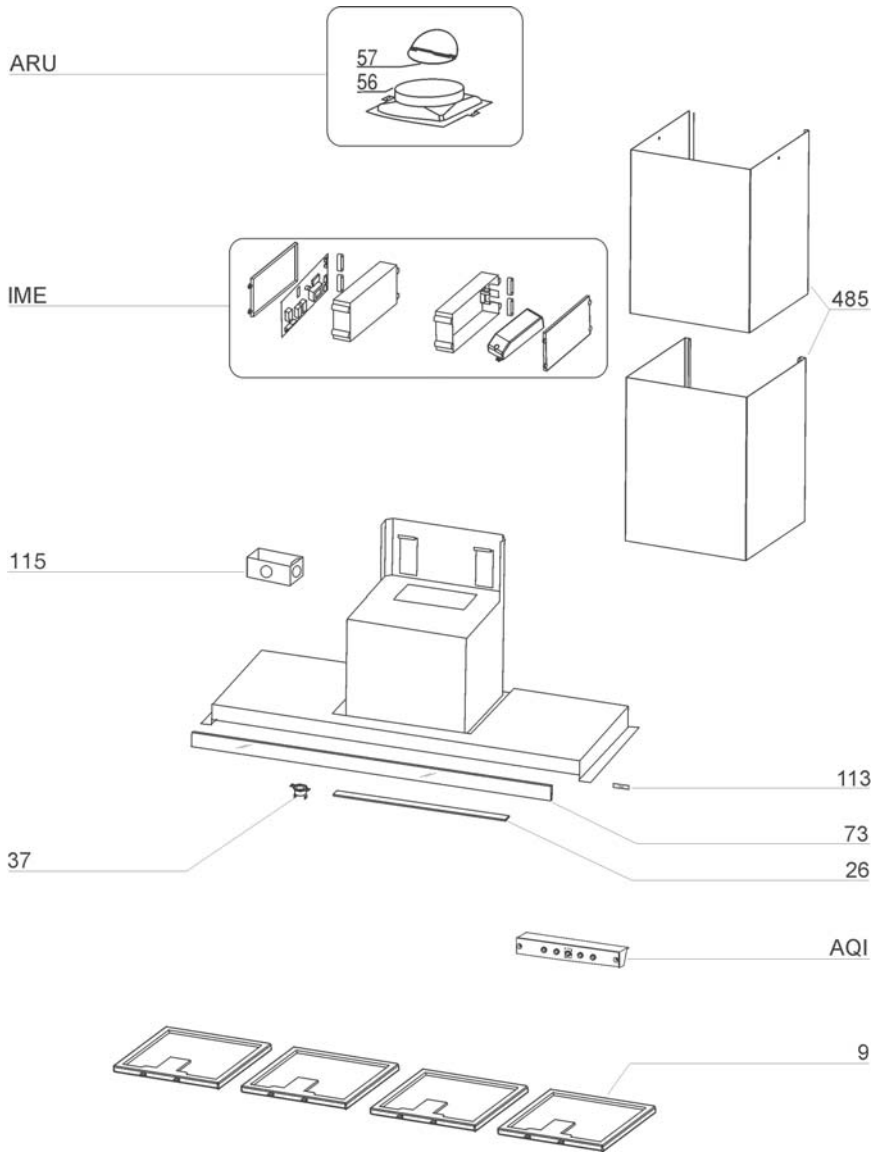
# SERVICE PARTS

## CC45I90SB

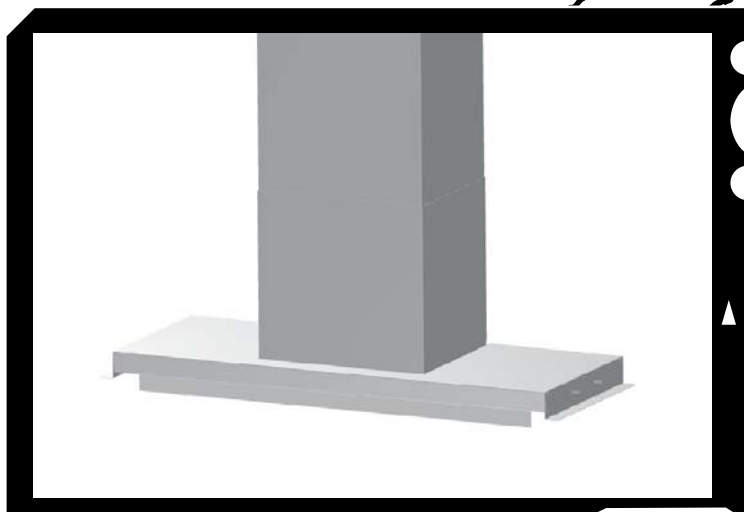


# SERVICE PARTS

CC45E90SB



# best®



## Modèle CC45

ENGLISH.....	2
FRANÇAIS.....	21
ESPAÑOL.....	41

Aux États-Unis - BEST Hartford, Wisconsin  
Au CANADA - BEST Drummondville, QC, Canada

ENREGISTREZ VOTRE PRODUIT EN LIGNE À : [www.BestRangeHoods.com/register](http://www.BestRangeHoods.com/register)  
Pour de plus amples informations, visitez [www.BestRangeHoods.com](http://www.BestRangeHoods.com)

# LISEZ ET CONSERVEZ CES INSTRUCTIONS

## ⚠ POUR USAGE DOMESTIQUE SEULEMENT ⚠

### ⚡ ⚠ AVERTISSEMENT

#### **POUR RÉDUIRE LES RISQUES D'INCENDIE, D'ÉLECTROCUTION OU DE BLESSURES CORPORELLES, OBSERVEZ LES INSTRUCTIONS SUIVANTES :**

1. N'utilisez cet appareil que de la façon prévue par le manufacturier. Si vous avez des questions, contactez le manufacturier à l'une des adresses ou numéros de téléphone indiqués dans la garantie.
2. Avant de nettoyer ou de réparer l'appareil, coupez le courant au panneau d'alimentation et verrouillez-en l'accès afin d'éviter sa remise en marche accidentelle. Si le panneau d'alimentation ne peut être verrouillé, apposez un avertissement bien en évidence, par exemple une étiquette de couleur vive.
3. Les travaux d'installation et de raccordement électrique doivent être effectués par du personnel qualifié en respectant les normes et règlements en vigueur, y compris les normes et codes de bâtiment en matière de prévention d'incendie.
4. Une circulation d'air efficace est requise afin d'assurer la combustion et l'évacuation complète des gaz par la cheminée des appareils à combustion pour prévenir les retours de cheminée. Conformez-vous aux instructions et aux standards de sécurité des manufacturiers d'appareils de chauffage, tels qu'ils sont publiés par la *National Fire Protection Association (NFPA)* et l'*American Society for Heating, Refrigeration and Air Conditioning Engineers (ASHRAE)* ainsi que les responsables des codes locaux.
5. Lorsque vous coupez ou perforez un mur ou un plafond, prenez garde de ne pas endommager les fils électriques ou autre installation qui pourraient y être dissimulés.
6. Les ventilateurs avec conduits doivent toujours évacuer l'air à l'extérieur.
7. N'utilisez pas cet appareil avec une commande de vitesse à semi-conducteur additionnelle.
8. Afin de réduire le risque d'incendie, n'utilisez que des conduits en métal.
9. Cet appareil doit être relié à une mise à la terre.
10. Lorsqu'une réglementation est en vigueur localement et qu'elle comporte des exigences d'installation et/ou de certification plus restrictives, lesdites exigences prévalent sur celles de ce document et l'installateur entend s'y conformer à ses frais.

#### AFIN DE RÉDUIRE LE RISQUE DE FEU DE CUISINIÈRE :

- A. Ne laissez jamais les appareils de cuisson sans surveillance lorsqu'ils sont réglés à feu vif. Les débordements engendrent de la fumée et des déversements graisseux pouvant s'enflammer. Chauffez l'huile lentement, à feu doux ou moyen.
- B. Mettez toujours la hotte en marche lorsque vous cuisinez à feu vif ou que vous cuisinez des mets flambés (par ex. : Crêpes Suzette, Cerises Jubilé, Steak au Poivre Flambé).
- C. Nettoyez régulièrement la (les) roue(s) du moteur de ventilateur. Ne laissez pas la graisse s'accumuler sur le ventilateur ou les filtres.
- D. Utilisez le bon format de casserole. Servez-vous toujours de casseroles et d'ustensiles appropriés à la dimension de la surface chauffante.

### ⚡ ⚠ AVERTISSEMENT

#### AFIN D'ÉVITER TOUT RISQUE DE BLESSURES LORS D'UN FEU DE CUISINIÈRE, OBSERVEZ LES INSTRUCTIONS SUIVANTES\* :

1. ÉTOUFFEZ LES FLAMMES à l'aide d'un couvercle hermétique, une plaque à biscuits ou un plateau en métal, puis éteignez le brûleur. ATTENTION DE NE PAS VOUS BRÛLER. SI LES FLAMMES NE S'ÉTEIGNENT PAS IMMÉDIATEMENT, PRENEZ SOIN D'ÉVITER LES BRÛLURES, SORTEZ ET APPELEZ LES POMPIERS.
2. NE PRENEZ JAMAIS EN MAIN UNE POÊLE OU UNE CASSEROLE QUI A PRIS FEU; vous pourriez vous brûler.
3. N'UTILISEZ PAS D'EAU, ni de linge à vaisselle ou de serviettes mouillés; cela pourrait occasionner une violente explosion de vapeur.
4. Utilisez un extincteur SEULEMENT LORSQUE :
  - A. Vous savez qu'il s'agit d'un extincteur de classe ABC et que vous en connaissez le fonctionnement.
  - B. L'incendie est petit et limité à l'endroit où il a débuté.
  - C. Les pompiers ont été avisés.
  - D. Vous pouvez combattre l'incendie en ayant accès à une sortie de secours.

\*Tirées du "Kitchen Fire Safety Tips" publié par la NFPA.

## ATTENTION

---

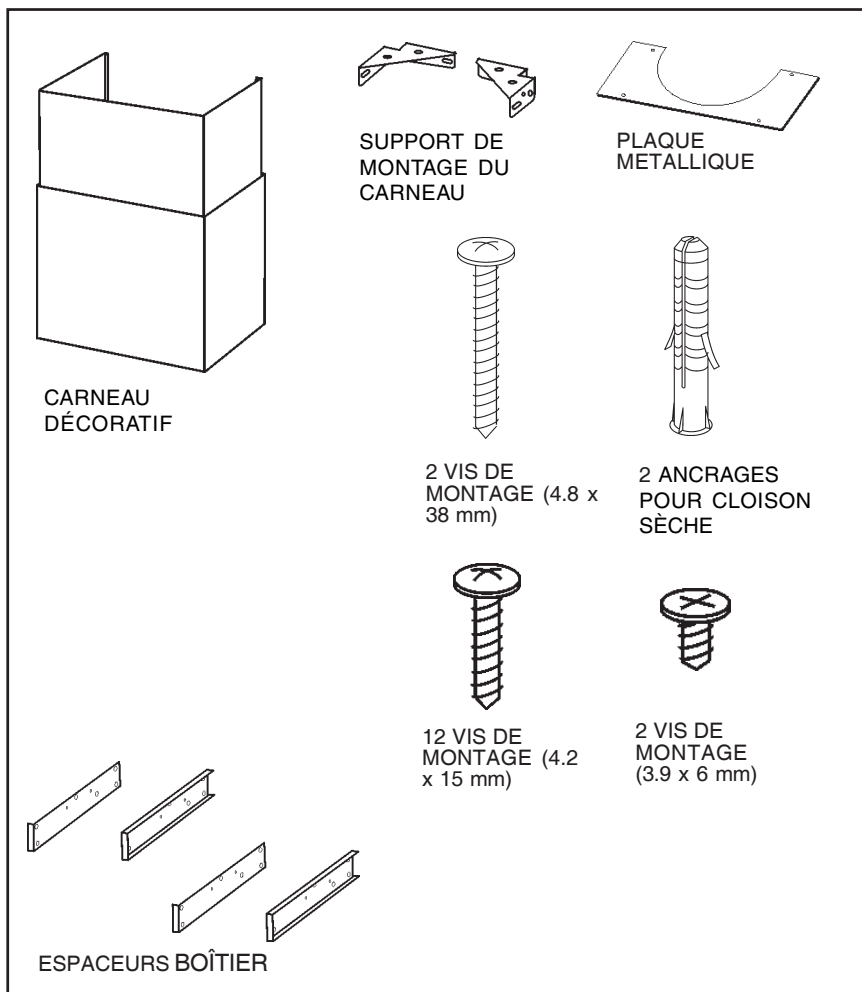
1. Pour usage intérieur seulement.
2. Pour réduire tout risque d'incendie et évacuer correctement l'air, assurez-vous d'évacuez l'air à l'extérieur. N'évacuez pas l'air dans des espaces clos comme l'intérieur des murs ou un plafond, dans le grenier, faux-plafond ou garage.
3. Faites très attention lors de l'utilisation de produits de nettoyage ou de détergents.
4. Évitez d'utiliser des produits alimentaires pouvant s'enflammer sous la hotte de cuisinière.
5. N'utilisez cet appareil que pour une ventilation générale. Ne l'utilisez pas pour évacuer des vapeurs ou des matières dangereuses ou explosives.
6. Afin d'éviter tout dommage au moteur et de débalancer ou de rendre bruyante la roue du moteur, gardez votre appareil à l'abri des poussières de gypse et de construction/rénovation, etc.
7. Le moteur de votre hotte possède une protection thermique qui éteindra automatiquement le moteur s'il devient surchauffé. Il redémarrera automatiquement une fois refroidi. Si le moteur continue à s'éteindre et à se remettre en marche, faites vérifier votre hotte.
8. Pour une meilleure évacuation des odeurs de cuisson, le bas de votre hotte devrait être à un minimum de 24 po et à un maximum de 30 po au-dessus de la surface de cuisson.
9. En raison de la grande dimension et du poids de cet appareil, il est recommandé de confier l'installation à deux personnes.
10. Nous vous recommandons de lire l'étiquette indiquant les caractéristiques de votre hotte pour de plus amples renseignements et exigences.
11. Appareil avec fonctionnement automatique. Pour réduire les risques de blessures, débrancher avant l'entretien.
12. **MODÈLES VENTILATEUR EXTERNE SEULEMENT:** Pour réduire les risques d'incendie ou de choc électrique, installez cette hotte uniquement avec les modèles de ventilateur extérieur Best EB6, EB9, EB12 ou EB15, ou les modèles de ventilateur intermédiaire Best ILB3, ILB6, ILB9 ou ILB11. Aucun autre ventilateur ne peut être substitué (Ventilateur vendu séparément).

# PRÉPARATION DE LA HOTTE

Retirer la hotte de l'emballage, puis vérifier le contenu.

Vous devez avoir:

- 1 - Hotte
- 1 - De carneau décoratif
- 1 - Quincaillerie (B080811045) comprenant :
  - 4 - Espaceurs boîtier
  - 2 - Vis de montage (4.8 x 38 mm)
  - 2 - Ancrages pour cloison sèche
  - 12 - Vis de montage (4.2 x 15 mm)
  - 2 - Vis de montage (3.9 x 6 mm)
  - 2 - Support de montage carneau
  - 1 - Plaque métallique
- 1 - Instructions pour l'installation





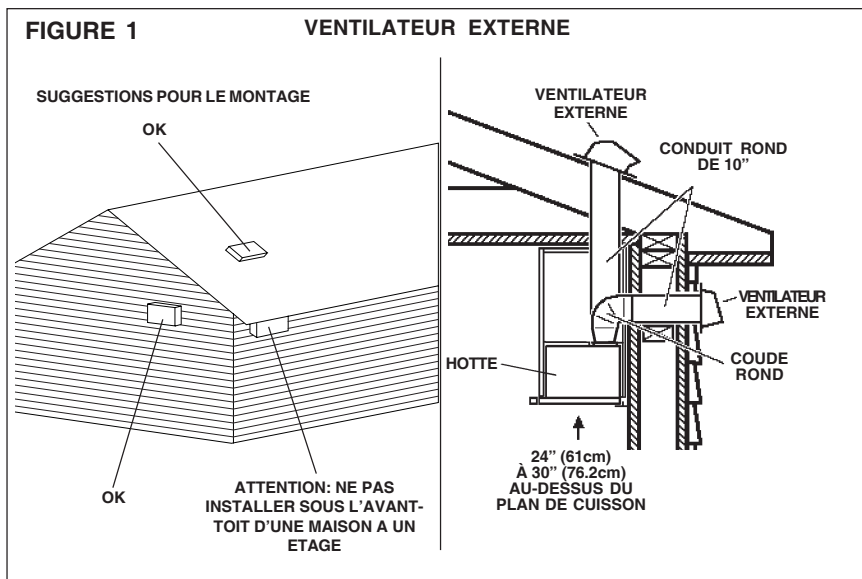
## CHOIX DE VENTILATEUR EXTERNE OU “IN-LINE”

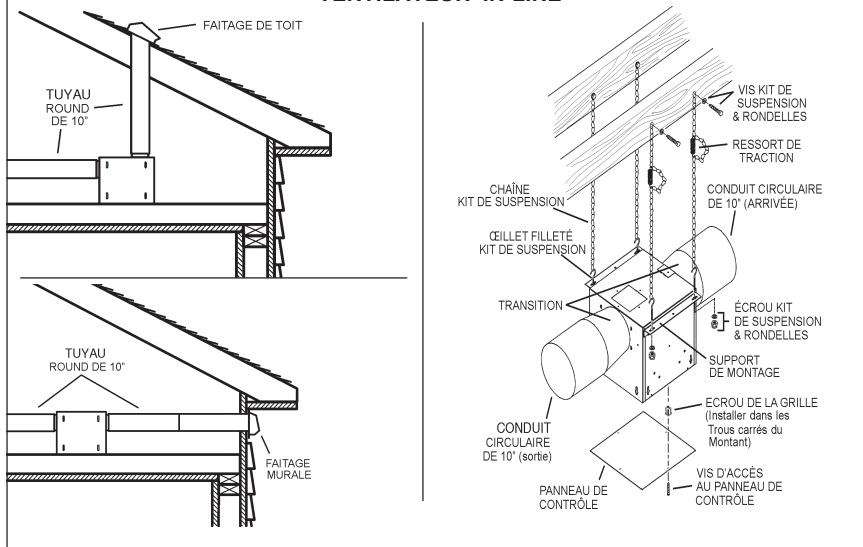
**ATTENTION:** Pour réduire les risques d’incendie et électrique, installer cette hotte seulement avec un ventilateur extérieur Best Modèles EB6, EB9, EB12 ou EB15, et les ventilateur en ligne Best Modèles ILB3, ILB6, ILB9 ou ILB11 uniquement. On ne peut pas utiliser d’autres ventilateurs (les ventilateurs sont vendus séparément).

## INSTALLATION DU SYSTEME D’EVACUATION

**NOTE:** Pour réduire les risques d’incendie n’utiliser que des conduits métalliques.

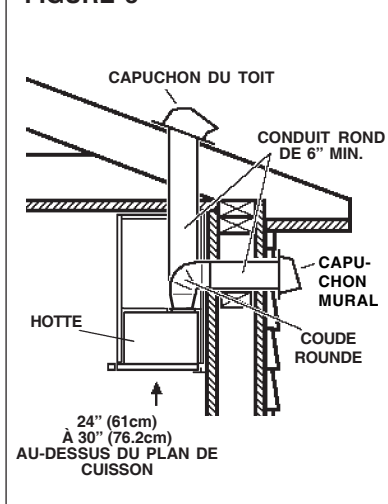
1. Choisir l’emplacement où le ventilateur externe ou le ventilateur “In-Line” sera monté. Voir les illustrations ci-dessous pour le choix de l’emplacement et les éventuelles restrictions à suivre.
2. Un conduit d’évacuation étroit et court rendra la hotte plus performante.
3. Des conduits d’évacuation longs, avec des coudes et des raccords rendront la hotte moins efficace. Les utiliser le moins possible. En cas de conduits d’évacuation longs on utilisera un diamètre supérieur.
4. Après avoir installé le ventilateur externe ou le ventilateur “In-Line”, raccorder le tuyau métallique rond dans le sens de l’emplacement de la hotte. Utiliser du chaterton pour fermer hermétiquement les joints entre les tuyaux.



**FIGURE 2****VENTILATEUR IN-LINE****INSTALLER LES CONDUITS**

**REMARQUE: pour réduire les risques d'incendie, utilisez uniquement des conduits métalliques.**

1. Décidez où le tuyau doit être installé, entre votre hotte et l'extérieur.
2. Un conduit droit et court permettra à votre hotte de fonctionner d'une façon plus efficace.
3. Un conduits long avec des coudes et des transitions réduira le bon fonctionnement de votre hotte. En utiliser le moins possible.
4. Installez un couvercle sur le toit ou au mur. Reliez un tuyau en métal rond de 6" au couvercle et faites-le aller jusqu'à l'emplacement de votre hotte. Utiliser du ruban adhésif pour sceller les joints entre les sections de conduits (Fig.3).

**FIGURE 3**

## PREPARER LA HOTTE

1. Retirer les filtres à graisse en plaçant le dispositif de retenue près de la poignée et tirer le filtre vers le bas (Fig.4); répétez pour tous les filtres.
2. Retirer les (2) entretoises des filtres de dégraissage en dévissant (4) les vis (Figure 5).

## INSTALLATION

**Avant l'installation finale, enlever le film de protection de toutes les surfaces externes, des conduits à combustion décoratifs et des filtres.**

La hotte est destinée pour être installée dans le boîtier.

**ATTENTION:** 2 personnes sont requises pour l'installation correcte ; l'appareil doit être installé par un opérateur qualifié.

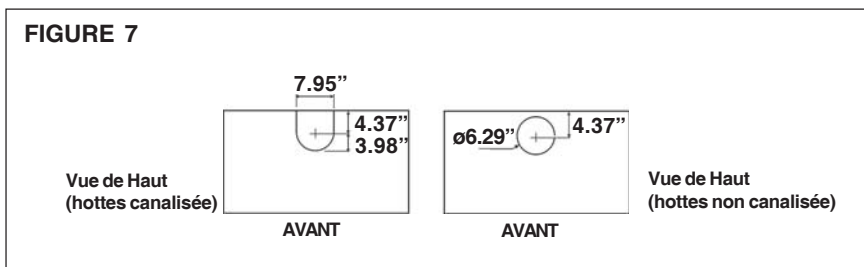
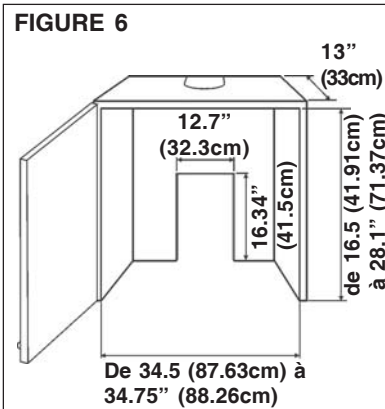
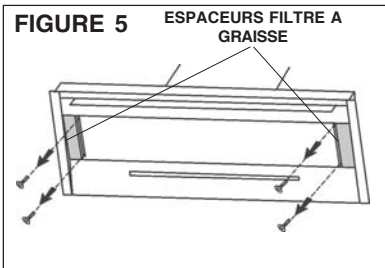
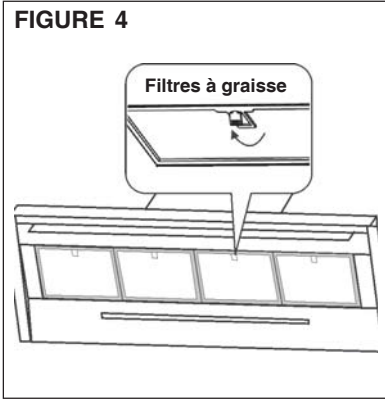
Les dimensions du boîtier sont indiquées aux figures 6 et 7.

Construire un encadrement de mur en bois de façon à ce qu'il soit dans un même plan avec la surface interne des profilés de mur (Figure 11). Assurez-vous que:

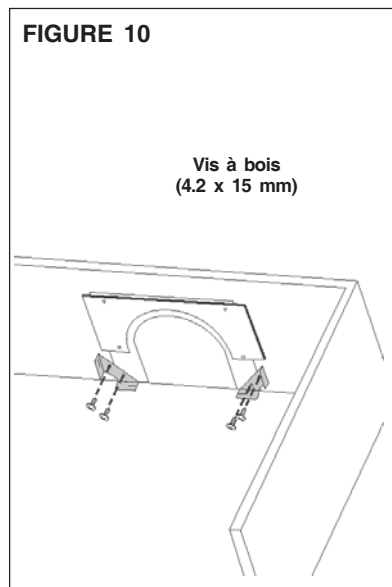
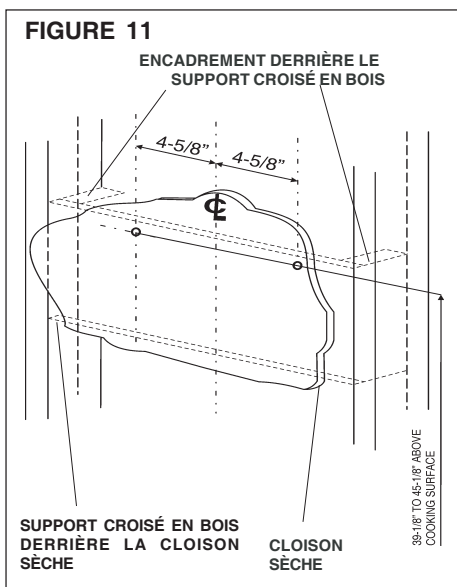
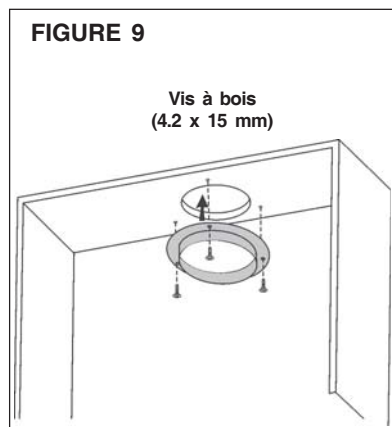
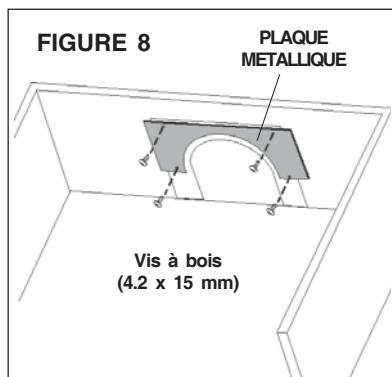
a) l'encadrement est centré au-dessus du lieu d'installation.

b) la hauteur de l'encadrement permettra de fixer la hotte à l'encadrement dans la limite des dimensions indiquées.

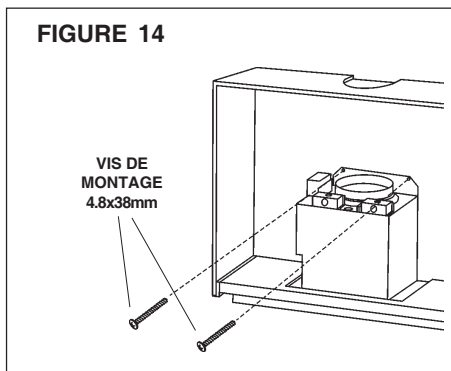
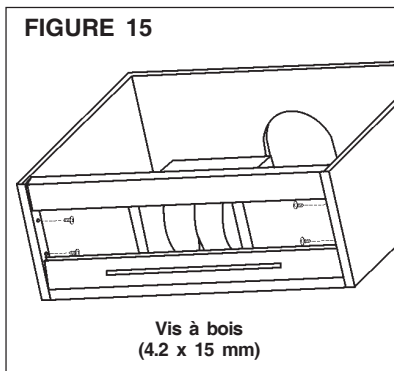
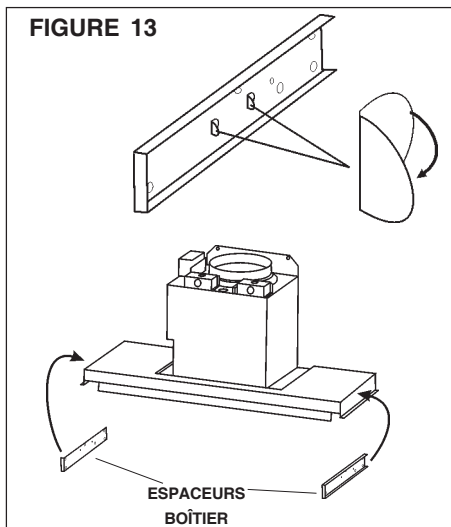
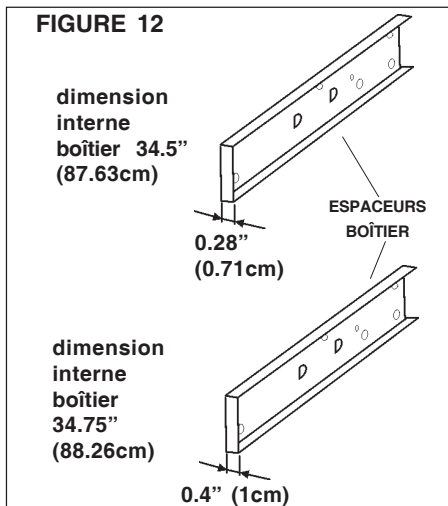
Note: La distance minimale de la hotte par rapport à la surface de chauffe est d'au moins 24" (60,96 cm). La distance maximale recommandée est de 30" (76,20 cm) au-dessus de la surface de chauffe, de sorte que la contamination par la cuisson soit mieux captée. L'utilisation de distances supérieures à 30" (76,2 cm) dépend du choix de l'installateur et de l'utilisateur.



1. Utiliser le modèle fourni pour faire (4) trous dans le haut du boîtier. Fixer la plaque métallique au boîtier en utilisant les (4) vis à bois (4,2x15mm). Voir fig. 8
2. Pour hotte non canalisée: fixer la bride sur le boîtier avec les (3) vis à bois (4,2 x 15 mm) fournies dans le kit. Voir Fig.9.
3. Pour l'installation du carneau décoratif: utiliser le modèle fourni pour faire (2) trous dans le haut du boîtier. Fixer le support de montage au boîtier en utilisant les (4) vis à bois de 4,2x15mm. Voir fig. 10



4. Sélectionner l'espaceur appropriée, en fonction de l'épaisseur du boîtier, voir Fig. 12:
  - pour un boîtier de dimensions internes égales à 34,5" (87,63 cm) (3/4" épaisseur du boîtier), utiliser des espaceurs d'une largeur de 0,28" (0,71 cm)
  - pour un boîtier avec des dimensions internes de 34,75" (88,265 cm) (5/8" épaisseur du boîtier), utiliser des espaceurs d'une largeur de 0,40" (1 cm)
5. Placer les (2) espaceurs sur les côtés de la hotte avec ruban (ne pas fixer avec des vis). Voir Fig. 13.
6. Installer la hotte: fixer les (2) vis de 4,8 x 38 mm et les cloisons sèches (optional). Voir Fig. 14.
7. Placer la hotte près du fond du boîtier, puis fixer l'appareil et les espaceurs boîtier à l'aide des vis à bois 4 (4,2 x 15 mm) fournies. Voir Fig. 15.
8. Changer les (2) espaceurs des filtres à graisse et les filtres à graisse retiré à l'étape 2.

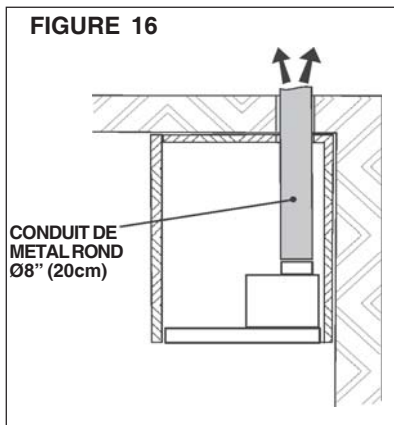


## CONNECTER LES ELEMENTS DES CANAUX

---

*(SEULEMENT POUR HOTTE  
CANALISEE)*

1. Utiliser le conduit en métal rond de 6" (15 cm) pour raccorder la bride de sortie de la hotte aux conduits ci-dessus. Voir Fig.16
2. Utiliser un ruban isolant pour vous assurer que toutes les connexions sont scellées et étanches.

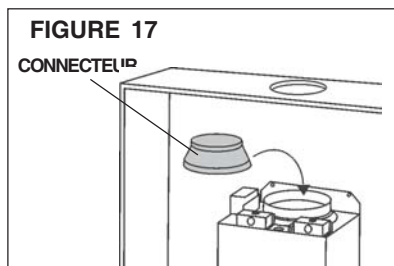


## INSTALLATION HOTTES NON CANALISEE (SEULEMENT POUR HOTTE NON CANALISEE)

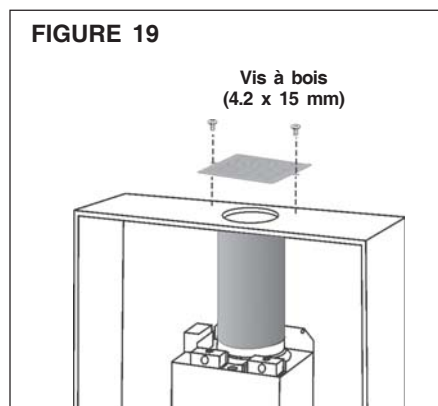
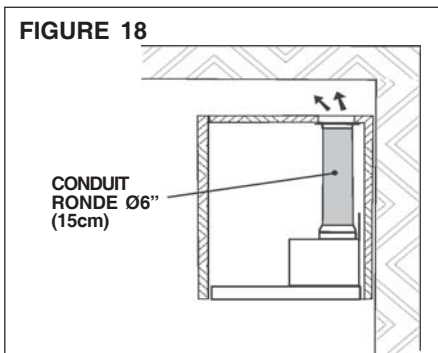
---

Lorsque l'appareil est utilisé en mode de recirculation, pour réduire le risque d'incendie et de choc, utilisez uniquement le kit de recirculation non canalisé ANKCC45.

1. Installer le connecteur sur la sortie d'air.  
Voir Fig. 17.



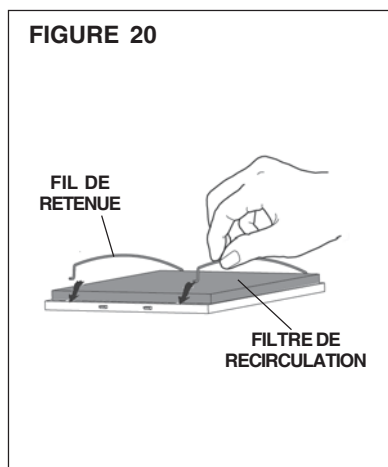
2. Voir Fig.18. Connecter le conduit rond de 6" (15 cm) au trou de sortie de sorte que l'air soit envoyé à l'extérieur de l'enceinte et de nouveau dans la pièce.
3. Utiliser un ruban isolant pour vous assurer que toutes les connexions sont scellées et étanches.
4. Voir Fig.19 Fixer le treillis qui n'est pas raccordé au conduit à l'aide des (2) vis à bois fournies (4,2 x 15 mm).



## INSTALLATION DE FILTRES A RECIRCULATION NON CANALISEE (SEULEMENT POUR HOTTE NON CANALISEE)

Les filtres à recirculation sont inclus dans le kit ANKCC45.

1. Achetez des filtres de recirculation sans canal (AECC45SB) séparément.
2. Placer le filtre de recirculation sans canal à l'extérieur du filtre de dégraissage et le bloquer à l'aide de (2) dispositifs de retenue. Voir fig.20.



## INSTALLATION ELECTRIQUE

**Remarque: Ce modèle de hotte doit être relié à la terre correctement. Cet article devrait être installé par un électricien qualifié selon les lois nationales et locales en matière d'électricité.**

1. Enlevez le couvercle de la **boîte de connexion électrique**. Ouvrez un trou de la boîte de connexion électrique (Fig.21).
2. Fixer le "conduit" au boîtier de connexion à l'aide d'un connecteur approprié pour ce "conduit".
3. Faites le raccordement électrique. Reliez le blanc au blanc, le noir au noir et le vert au vert.
4. Remettez le couvercle de la boîte de connexion et les vis. Assurez-vous que les fils se sont pas coincés entre le couvercle et la boîte.

## BRANCHEMENT DU VENTILATEUR EXTERNE À LA HOTTE

1. Tirer un câble à 2 fils avec la terre du ventilateur externe (ou ventilateur "In-Line") vers le tableau de l'installation électrique de la hotte portant la mention "motor connection" (Fig.22).
2. Enlever le couvercle du tableau électrique et enlever un knockout.
3. Alimenter le knockout par un câble de 6" de diamètre et fixer le câble au tableau électrique par un raccord approprié.
4. Faire le branchement électrique à la hotte. Raccorder le blanc avec le blanc, le **rouge au noir** et le vert à la terre.
5. Remettre le couvercle sur le tableau électrique et en revissant s'assurer que les fils n'ont pas été pincés entre le couvercle et le tableau.

### Branchement du ventilateur externe ou "In-Line" :

1. Effectuer les branchements électriques sur le ventilateur externe ou "In-Line" (Voir la notice jointe).

FIGURE 21

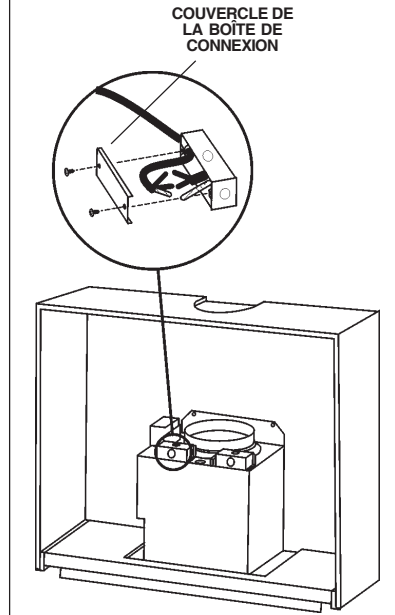
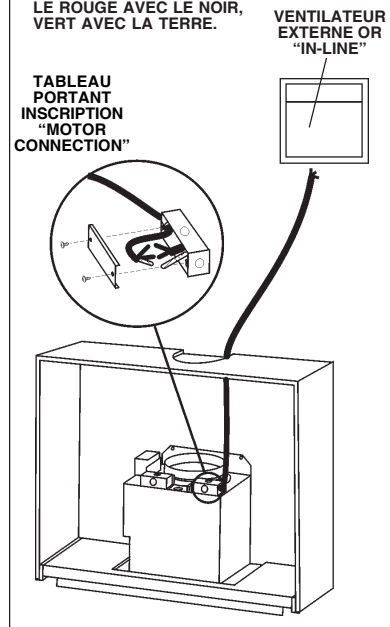


FIGURE 22

BRANCHER:  
LE BLANC AVEC LE BLANC,  
LE ROUGE AVEC LE NOIR,  
VERT AVEC LA TERRE.

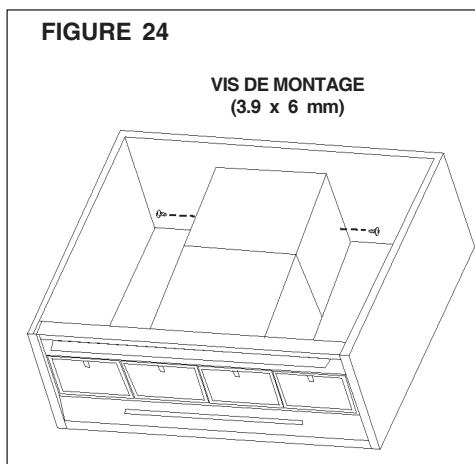
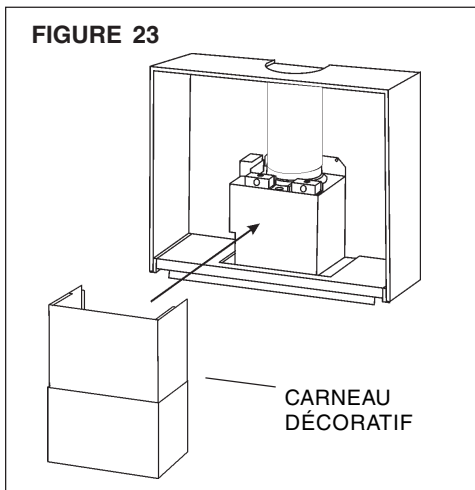




## INSTALLATION CARNEAU DÉCORATIF

---

1. Placer le carneau décoratif dans le boîtier. Voir fig. 23
2. Fixer le carneau décoratif au support de montage à l'aide des (2) vis de montage de 3,9 x 6 mm. Voir fig. 24.
3. Achetez le kit pour le carneau supérieur AECC45SB auprès de votre fournisseur si la hauteur interne du boîtier dépasse 28,1" \*(71,2 cm).



## NETTOYAGE ET ENTRETIEN

Pour assurer les performances de l'appareil, entretenez-le de manière appropriée.

**AVANT D'ENTREtenir OU DE NETTOYER L'UNITÉ, COUPER L'ALIMENTATION DU TABLEAU DE SERVICE ET VERRouILLER LE DISPOSITIF DE DÉBRANCHEMENT DU TABLEAU AFIN D'EMPÊCHER TOUTE REMISE SOUS TENSION ACCIDENTELLE. S'IL EST IMPOSSIBLE DE VERRouILLER LE DISPOSITIF DE DÉBRANCHEMENT DU TABLEAU, ATTACHER SOLIDEMENT UN PANNEAU D'AVERTISSEMENT BIEN VISIBLE, UNE ÉTIQUETTE PAR EXEMPLE, AU TABLEAU DE SERVICE.**

### *Filtres à graisse*

Les **filtres à graisse** doivent être nettoyés périodiquement, selon l'utilisation (en moyenne tous les deux (2) mois).

Utilisez une solution contenant un détergent tiède. Les filtres à graisse peuvent être lavés au lave-vaisselle. Nettoyez tous les filtres en métal dans le lave-vaisselle avec un détergent sans phosphate. Si vous utilisez un détergent phosphaté ou selon le type d'eau, il est possible que le filtre se décolore, mais cela n'affectera aucunement ses performances. Cette décoloration n'est pas couverte par la garantie.

Enlevez les filtres en les poussant vers l'arrière de votre hotte et en les faisant tourner vers le bas (Fig. 25); enlevez les autres filtres de la même manière.

### *Filtre de recirculation non canalisé*

Le filtre de recirculation non canalisé doit être changé tous les 3/6 mois. Enlevez le fil de retenue et remplacez le filtre de recirculation.

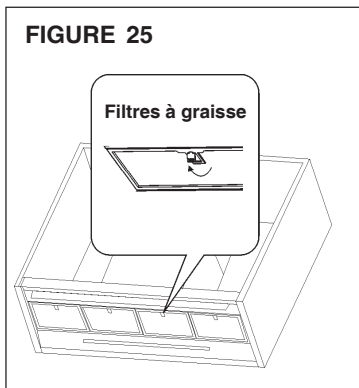
### *Nettoyage de votre hotte*

L'acier inoxydable est une des matières les plus faciles à nettoyer. Un entretien de temps en temps permettra de le conserver en parfait état. Conseils pour le nettoyage:

- Eau chaude et savon ou détergent est tout ce qui est normalement nécessaire.
  - Après chaque nettoyage, rincez bien à l'eau claire. Essuyez avec un chiffon propre et doux afin d'éviter les taches d'eau.
  - Si des décolorations ou des dépôts persistent, utilisez un nettoyant domestique non abrasif ou de la poudre pour l'acier inoxydable et un peu d'eau et un chiffon doux.
  - Dans les cas difficiles, utilisez une éponge en plastique ou une brosse douce avec du nettoyant et de l'eau. Frottez légèrement en suivant la direction du polissage ou du "grain" de l'acier inoxydable. Évitez de frotter trop fort afin de ne pas abîmer la surface.
  - **NE LAISSEZ PAS** les taches trop longtemps.
  - **N'UTILISEZ PAS** de laines d'acier ordinaires ou des brosses en acier. Des débris d'acier pourraient adhérer à la surface et causer de la rouille.
  - **NE PERMETTEZ PAS** que des solutions salées, des désinfectants, des blanchissants ou des produits nettoyants restent en contact avec l'acier pendant longtemps. Beaucoup de ces produits contiennent des produits chimiques qui pourraient causer des dommages.
- Rincez à l'eau immédiatement s'ils entrent en contact et essuyez avec un chiffon humide.

Les surfaces peintes doivent être nettoyées avec de l'eau tiède additionnée d'un détergent doux seulement.

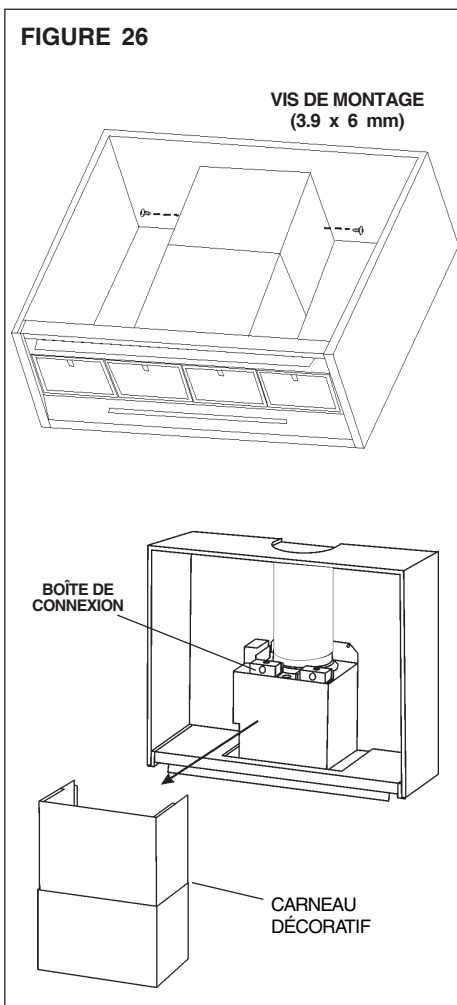
FIGURE 25



## COMMENT ACCÉDER À LA BOÎTE DE CONNEXION

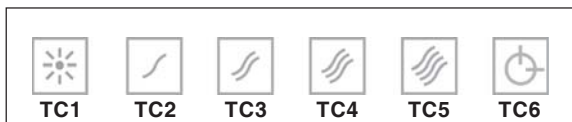
---

Pour accéder aux boîte de connexion, retirez le conduit décoratif en dévissant les (2) vis de fixation de 3.9x6mm. Voir Fig. 26.



## FONCTIONNEMENT

**Note: Eviter d'utiliser des produits alimentaires qui produisent des flammes sous l'appareil.**



### **Bouton TC1 (Lumières)**

Commutateurs de lumière principale Haute intensité/médias intensité/Basse intensité/OFF

### **Bouton TC2 (moteur -V1)**

Moteur ON / OFF - Active le moteur à basse vitesse 1.

### **Bouton TC3 (moteur V2)**

Active le moteur à la médias/basse vitesse.

### **Bouton TC4 (moteur V3)**

Active le moteur de la médias/haute vitesse.

### **Bouton TC5 (moteur V4)**

Active le moteur à haute vitesse.

### **Bouton TC6 (alimentation automatique de la minuterie hors 10 min.)**

Active la fonction de minuterie à la vitesse qui a déjà été sélectionnée. Si le moteur n'est pas actif, il se met en marche le moteur à basse vitesse et active la fonction de minuterie lorsque la fonction de minuterie est active, l'éclairage TC6 clignoter.

### **Mode nettoyage**

Appuyant simultanément sur les touches pendant 2 secondes TC1 et TC6 active la fonction de nettoyage de la vitre. Lorsque la fonction est activée, le système ne reconnaît pas n'importe quelle touche. Lorsque le mode de nettoyage est TC1 active et TC6 rétro-éclairage est constante sur. La fonction reste allumé pendant 5 minutes au maximum. Pour arrêter la presse mode de nettoyage pendant 2 secondes touches TC1 et TC6 simultanément ou attendez 5 minutes.

### **Filtre à 30h ALARME**

Après 30 heures de fonctionnement, une alarme se met en marche pour signaler la nécessité pour le nettoyage du filtre à graisse. L'alarme de filtre, lorsqu'il est actif, est affiché pendant 30 secondes chaque fois que le moteur est désactivé: éclairage TC6 ON. Pendant cette période, il est possible de réinitialiser l'alarme en appuyant sur le bouton TC6 pour plus d'une seconde.

### **Filtre de recirculation 120h ALARME**

Après 120 heures de fonctionnement, une alarme s'allume pour signaler la nécessité d'un filtre de recirculation (en option) de remplacement. L'alarme de filtre, lorsqu'il est actif, est affiché pendant 30 secondes chaque fois que le moteur est désactivé:

TC6 éclairage clignotant. Pendant cette période, il est possible de réinitialiser l'alarme en appuyant sur le bouton TC6 pour plus d'une seconde.

### **Buzzer**

Le buzzer émet un "bip" à chaque fois qu'une commande est réglée à partir du clavier ou de la télécommande (en option).

### **HEAT SENTRY™**

La hotte est équipée d'un thermostat HEAT SENTRY™. Ce dispositif active ou accélère la soufflante s'il détecte une chaleur excessive au-dessus de la surface de cuisson.1) Si la soufflante est ARRÊTÉE, il l'ALLUME sur la vitesse HAUTE.2) Si la soufflante est ALLUMÉE à une vitesse basse, il la fait passer à la vitesse HAUTE. Quand la température redevient normale, la soufflante retourne au réglage d'origine.

### **AVERTISSEMENT**

**Le thermostat HEAT SENTRY peut activer la soufflante même si la hotte est éteinte. Dans ce cas, il est impossible de désactiver la soufflante avec le commutateur d'ARRÊT. Si vous devez ARRÊTER la soufflante, faites-le depuis le panneau électrique principal.**

## ECLAIRAGE

---

Si l'éclairage DEL est endommagé, il doit être remplacé par le fabricant, un service technique agréementé ou une personne ayant des qualifications professionnelles semblables, pour prévenir tout genre de risque chez l'utilisateur.

## GARANTIE

---

### GARANTIE LIMITÉE DE UN AN DE BEST

Broan-NuTone LLC (Broan-NuTone) garantit à l'acheteur original que les produits BEST vendus en vertu de la présente sont libres de tout vice de matériel ou de fabrication pour une période de un an à compter de la date d'achat originale. CETTE GARANTIE NE COMPORTE AUCUNE AUTRE GARANTIE, EXPRESSE OU TACITE, Y COMPRIS, MAIS SANS S'Y LIMITER, LES GARANTIES TACITES DE VALEUR MARCHANDE OU D'ADAPTATION À UN USAGE PARTICULIER. Durant cette période de un an, Broan-NuTone réparera ou remplacera gratuitement, à sa discrétion, tout produit ou toute pièce jugés défectueux dans des conditions normales d'utilisation.

CETTE GARANTIE NE S'APPLIQUE PAS AUX TUBES FLUORESCENTS ET AUX STARTERS, NI AUX AMPOULES HALOGÈNES OU INCANDESCENTES, FUSIBLE, FILTRES, CONDUITES, CHAPEAUX DE TOIT, CHAPEAUX DE MUR ET AUTRES ACCESSOIRES POUR CANALISATIONS. Cette garantie ne couvre pas (a) les frais d'entretien ou de service normaux ni (b) tout produit ou toute pièce soumis à une utilisation inadéquate, une négligence, un accident, un entretien ou une réparation inadéquats (autres que ceux effectués par Broan-NuTone), une mauvaise installation ou une installation contraire aux instructions recommandées.

La durée de toute garantie tacite est limitée à la période de un an stipulée pour la garantie expresse. Certains États ou provinces ne permettent pas de limites quant à la durée d'une garantie implicite. La restriction susmentionnée peut donc ne pas s'appliquer dans votre cas.

BROAN-NUTONE S'EST OBLIGÉ POUR BROAN-NUTONE DE RÉPARER OU DE REMPLACER LE PRODUIT, À SA DISCRÉTION, CONSTITUE LE SEUL RECOURS DE L'ACHETEUR EN VERTU DE CETTE GARANTIE. BROAN-NUTONE NE PEUT PAS ÊTRE TENUE RESPONSABLE DE TOUT DOMMAGE INDIRECT, CONSÉCUTIF OU ACCESSOIRE DÉCOULANT DE L'UTILISATION OU DU RENDEMENT DU PRODUIT. Certains États ou provinces interdisent l'exclusion ou la restriction des dommages indirects ou consécutifs. La restriction susmentionnée peut donc ne pas s'appliquer dans votre cas.

La présente garantie vous confère des droits spécifiques reconnus par la loi. D'autres droits pourraient également vous être accordés selon la législation locale en vigueur. La présente garantie remplace toutes les autres garanties précédentes.

Pour le service sous garantie, vous devez (a) aviser Broan-NuTone à l'une des adresses ou numéros de téléphone mentionnés ci-dessous, (b) indiquer le numéro de modèle et d'identification de la pièce et (c) décrire la défectuosité du produit ou de la pièce. Lors d'une réclamation, vous devez présenter une preuve de la date d'achat originale.

In USA - Best®, 926 W. State Street, Hartford, WI 53027 (800-558-1711)  
In Canada - Best®, 550 Lemire Blvd., Drummondville, QC J2C 7W9 (866-737-7770)  
[www.BestRangeHoods.com](http://www.BestRangeHoods.com)

## PIECES DE RECHANGE

**CC45I90SB**

REPÈR	N° de PIÈCE	DESCRIPTION
9	B08087772	Filtre à graisse
14	99271379	Condensateur du moteur
26	B023004301	Led
37	B02300804	Capteur
73	B002090443	Verre
113	B02011550	Logo
115	BE3350233	Boîte de connexion
165	B03295008	Boîte du condensateur de moteur
485	B08016412	Ensemble carneau décoratif
ARU	B08092501	Ensemble collier d'évacuation de 8"
AQI	B06102788	Ensemble commandes
IME	B06142997	Ensemble de l'Installation Électrique
CAS	B06002309U	Ensemble ventilateur
998	B080811045	Quincaillerie
-	ANKCC45	Ensemble Kit de recirculation non canalisé
-	AFCCC45	Ensemble Filtre de recirculation non canalisé (comprenant 4 filtres)

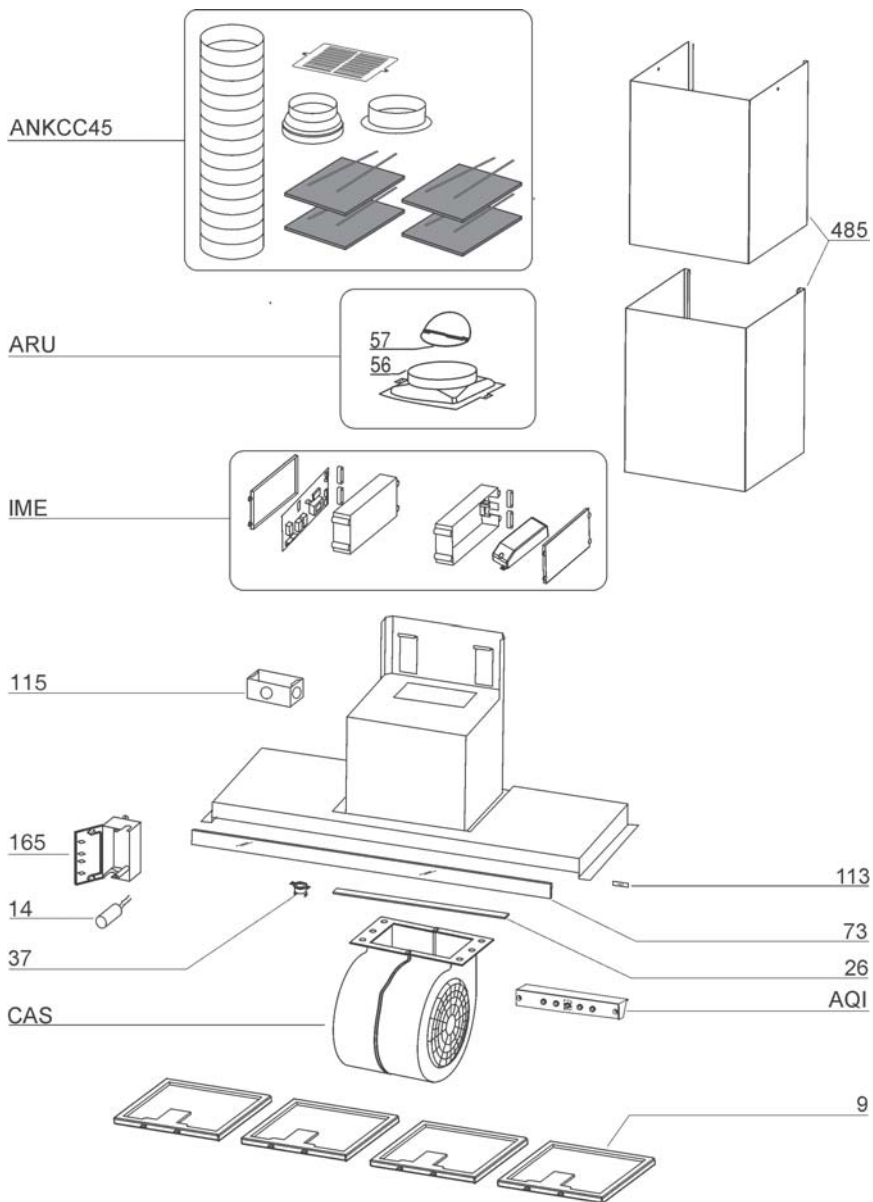
## PIECES DE RECHANGE

**CC45E90SB**

REPÈR	N° de PIÈCE	DESCRIPTION
9	B08087772	Filtre à graisse
26	B023004301	Led
37	B02300804	Capteur
73	B002090443	Verre
113	B02011550	Logo
115	BE3350233	Boîte de connexion
485	B08016412	Ensemble carneau décoratif
ARU	B08092501	Ensemble collier d'évacuation de 8"
AQI	B06102789	Ensemble commandes
IME	B06142996	Ensemble de l'Installation Électrique
998	B080811045	Quincaillerie

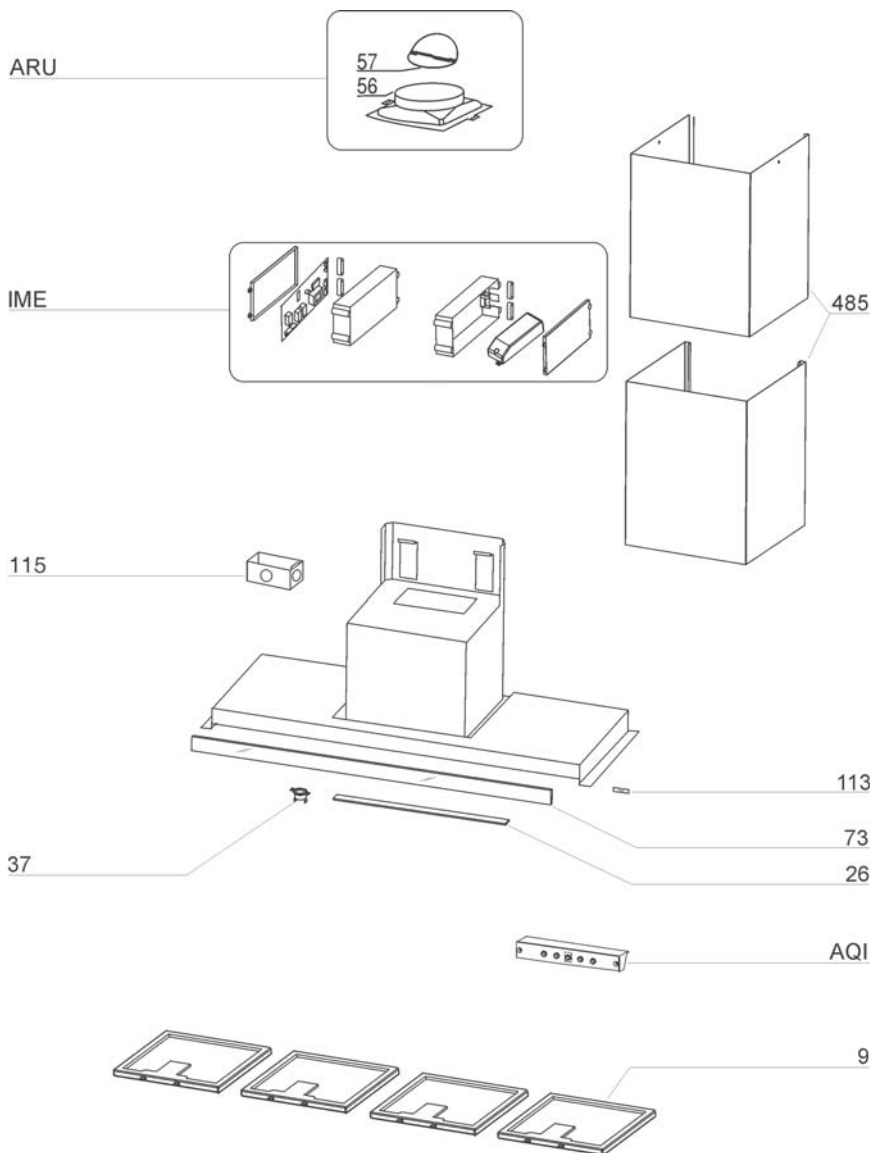
# PIECES DE RECHANGE

CC45I90SB



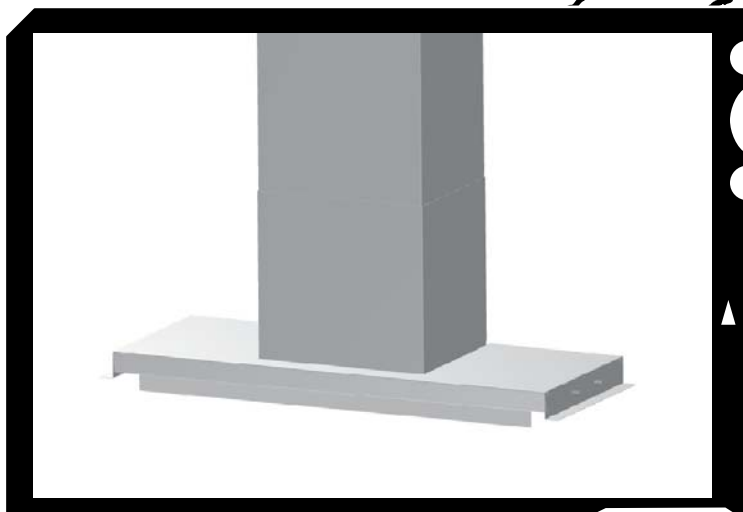
# PIECES DE RECHANGE

CC45E90SB





# best®



## Modelo CC45

ENGLISH.....	2
FRANÇAIS.....	21
ESPAÑOL.....	41

En EE.UU.: BEST Hartford, Wisconsin

En CANADÁ - BEST Drummondville, QC, Canada

REGISTRE SU PRODUCTO EN LÍNEA EN: [www.BestRangeHoods.com/register](http://www.BestRangeHoods.com/register)  
Para obtener información adicional visite [www.BestRangeHoods.com](http://www.BestRangeHoods.com)

# LEA Y CONSERVE ESTAS INSTRUCCIONES

 **INDICADO PARA EL USO EN COCINAS DOMESTICAS** 

 **ADVERTENCIA**

**PARA EVITAR EL RIESGO DE INCENDIO, CORTOCIRCUITO O DAÑO PARA LAS PERSONAS, OBSERVE ATENTAMENTE LAS SIGUIENTES NORMAS:**

1. Use esta unidad solamente de la manera indicada por el fabricante; si tiene dudas, póngase en contacto con éste a la dirección o teléfono indicados en la garantía.
2. Antes de hacer una revisión o de limpiar la unidad, desconéctela de la red para evitar que se encienda de manera accidental. En el caso de que éste no pueda ser desactivado, se indicará nel panel de servicio.
3. El montaje y la instalación eléctrica debe hacerlos un técnico especializado siguiendo las normas estándar e incluyendo aquellas de construcción anti incendio.
4. Necesita aire suficiente para una apropiada combustión y escape de gases a través del tubo del depósito de quema de combustible. Para evitar que el humo aspirado vuelva a la cocina, siga las directivas del fabricante y las normas estándar de seguridad así como las normas publicadas por la *Asociación de prevención de incendios (NFPA) y la Sociedad americana de especialistas en calefacción, refrigeración y aire acondicionado y además las normas de las autoridades locales.*
5. Hacer un corte o un taladro en la pared o en el techo no debe dañar la instalación eléctrica u otras instalaciones ocultas en la pared.
6. Los conductos ventiladores deben siempre desalojar al exterior.
7. No use esta unidad con dispositivo de control de la velocidad a estado sólido.
8. Para evitar el riesgo de incendio, use solamente conductos de metal.
9. Esta unidad tiene que ser conectada a tierra.
10. Cuando las regulaciones locales comprenden la instalación y los requisitos más restrictivos / o certificación, los requisitos anteriores prevalecen sobre las del presente documento y el instalador se compromete a cumplir con estas exigencias a sus propios gastos.

**PARA EVITAR EL RIESGO DE FUEGO POR ALTO NIVEL DE GRASA:**

- A. Nunca abandone los quemadores con el fuego alto. La cocción causa humo y restos de grasa que pueden arder. Caliente el aceite a fuego medio o bajo.
- B. Encienda siempre la campana cuando cocine a fuego alto o cuando cocine alimentos fácilmente inflamables. (por ejemplo Crêpes Suzette, Cerezas Jubilee, Ternera flambeada con granos de pimienta).
- C. Limpie con frecuencia los ventiladores. No se debe acumular grasa en el ventilador o en el filtro.
- D. Usa el tamaño de cazuela apropiado. Use siempre utensilios de cocina de tamaño y material adecuados.

 **ADVERTENCIA**

**PARA EVITAR EL RIESGO DE DAÑOS A PERSONAS EN CASO DE FUEGO POR ALTO NIVEL DE GRASA, TENGA EN CUENTA LO SIGUIENTE:\***

1. SOFOQUE LA LLAMA con una tapadera apropiada, una bandeja metálica ó un utensilio de cocina que pueda cubrirla, despues, apague el quemador. **ACTUE CON PRECAUCIÓN PARA EVITAR QUEMADURAS. SI LA LLAMA NO SE EXTINGUE INMEDIATAMENTE , SALGA Y LLAME A LOS BOMBEROS.**
2. **NUNCA COJA UNA SARTEN EN LLAMAS**, porque corre el riesgo de quemarse.
3. **NO USE AGUA** ni paños o toallas húmidas porque puede provocarse una violenta humareda.
4. Use un extintor **SOLAMENTE** si:
  - A. Posee un extintor de clase ABC y sabe perfectamente cómo usarlo.
  - B. El fuego es pequeño y está controlado en el mismo sitio en que empezó.
  - C. Ha llamado con anterioridad a los bomberos.
  - D. Puede combatir el fuego retrocediendo hacia la salida.

\* Basado en "Seguridad antifuego en la cocina" publicado por NFPA.

## **ADVERTENCIA**

---

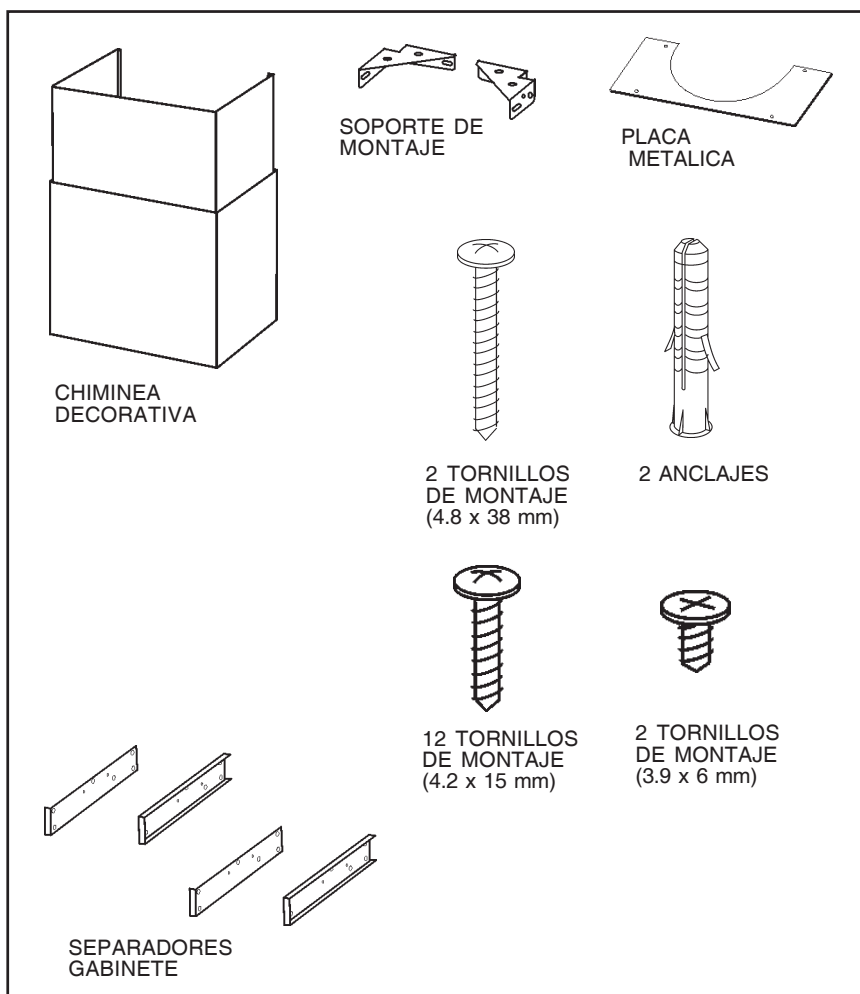
1. Para uso en interiores.
2. Para reducir el riesgo de incendios y para evacuar correctamente los humos, asegurarse de haber realizado una conducción del aire hasta el exterior. No expulsar los humos en espacios cerrados por paredes o techos, áticos, espacios angostos o garajes.
3. Prestar la máxima atención al utilizar productos de limpieza o detergentes.
4. Evitar el uso de productos alimentarios que puedan inflamarse bajo la campana.
5. Sólo para ventilación total. No use gases de escape peligrosos o materiales y vapores explosivos.
6. Para evitar daños en el funcionamiento del motor e impulsores ruidosos y/o desequilibrados, mantenga alejados de la unidad de encendido pulverizadores en seco o polvo.
7. El motor tiene un nivel de sobrecarga térmica que apaga automáticamente el motor cuando se ha recalentado excesivamente. El motor se pone de nuevo en funcionamiento cuando la temperatura baja. Si el motor comienza a encenderse y a apagarse, deberá hacer una revisión de éste.
8. Para limpiar mejor las impurezas al cocinar, la distancia entre la parte inferior de la campana y la zona de cocción debe ser mínimo 24" - máximo 30".
9. Debido a su gran tamaño y peso, se recomienda su montaje por parte de dos técnicos especializados.
10. Se recomienda leer la placa de características del producto para ulterior información.
11. Aparato con automatismo. Para evitar el riesgo de daños, colocar el interruptor del panel de servicio en la posición OFF antes de mantenimiento.
12. **SÓLO PARA MODELOS DEL VENTILADOR EXTERNO:** Para reducir el riesgo de incendio y descargas eléctricas, instale esta campana solamente con los modelos de ventilador exterior Best EB6, EB9, EB12 or EB15, o los modelos de ventilador en línea Best ILB3, ILB6, ILB9 or ILB11. No se pueden utilizar otros ventiladores (los ventiladores se venden por separado).

## PREPARE LA CAMPANA

Sacar la campana de l'embalaje y controlar el contenido.

Recivireis:

- 1 - Campana
- 1 - Chimenea decorativa
- 1 - Bolsita (B080811045) con :
  - 4 - Separadores gabinete
  - 2 - Tornillos de montaje (4.8 x 38)
  - 2 - Anclajes para paredes de yeso
  - 12 - Tornillos de montaje (4.2 x 15 mm)
  - 2 - Tornillos de montaje (3.9 x 6 mm)
  - 2 - Soporte de montaje
  - 1 - Placa metalica
- 1 - Instrucciones para instalación



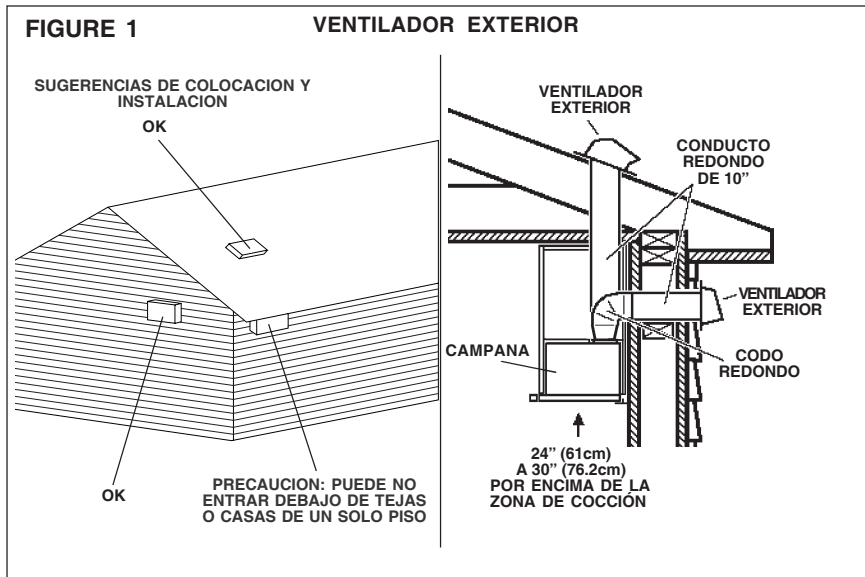
# SELECCIÓN DEL VENTILADOR EXTERIOR O DEL VENTILADOR IN-LINE WPP9E Series

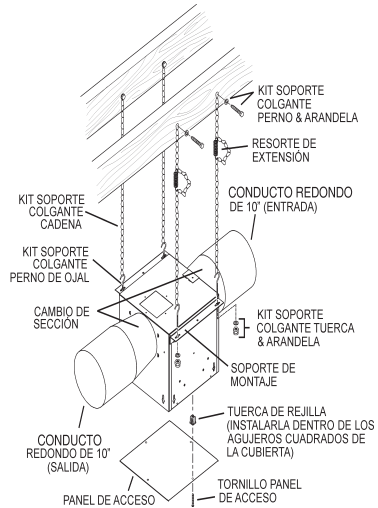
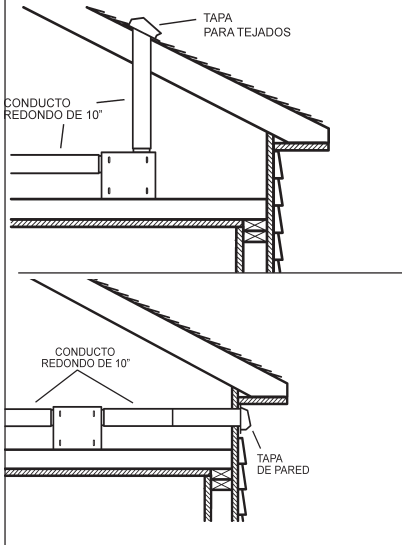
**PRECAUCIÓN:** Para reducir el riesgo de incendios y descargas eléctricas, instale esta campana sólo con el ventilador exterior Best Modelos EB6, EB9, EB12 o EB15 y Best In-Line ventilador Modelos ILB3, ILB6, ILB9 o ILB11. Otros ventiladores no puede substituirse.

## INSTALACION DEL CONDUCTO DE EXTRACCION

**NOTA:** Para reducir al riesgo de incendios, use únicamente conductos de metal.

1. Escoja la posición donde hay que colocar el ventilador exterior o "In-Line". Ver las ilustraciones de abajo, con las sugerencias de colocación, para sugerencias y restricciones de instalación.
2. Un conducto corto y recto permite que la campana extractora funcione mejor.
3. Conducto de salida largos, codos y transiciones reducen la funcionalidad de la campana extractora. Úselos lo menos posible. Conductos más anchos pueden ser necesarios para un mejor funcionamiento de los conductos largos.
4. Después de que se instaló el extractor externo o "In-Line", conecte los conductos metálicos circulares y trabaje al contrario hacia la posición de la campana. Use cinta adhesiva para cerrar herméticamente las uniones entre las secciones del conducto.

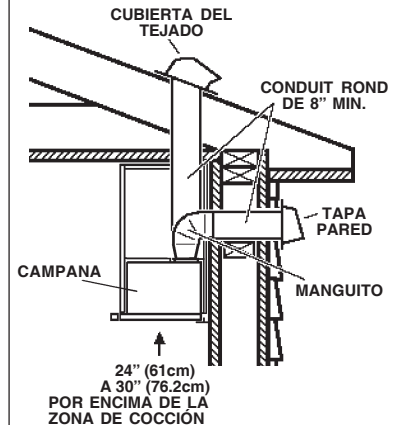


**FIGURE 2****VENTILADOR "IN-LINE"**

## INSTALACION DEL CONDUCTO DE EXTRACCION

**NOTA:** para evitar el riesgo de incendio, use solamente material de metal.

1. Decida donde va a colocar el conducto de extracción entre la campana y la parte exterior.
2. Un recorrido de conducto corto y recto permitirá a la campana funcionar de manera más eficaz.
3. Los recorridos largos de conducto, codos y transiciones impiden el buen funcionamiento de la campana. Use el menor número de ellos posible.
4. Instale una cubierta ó una tapa. Conecte 6" conducto redondo de metal a la cubierta y retroceda hasta la posición de la campana. Use una cinta para precintar las juntas entre las partes del entubado (Fig.3).

**FIGURE 3**

## PREPARE LA CAMPANA

1. Retire los filtros desengrasantes presionando hacia adentro el retenedor cercano al mango y tire del filtro hacia abajo (Fig. 4); repita para todos los filtros..
2. Retire los (2) separadores de filtros desengrasante, desatornillando los (4) tornillos (Figura 5).

## INSTALACIÓN

**Retire la película protectora de plástico de todas las superficies exteriores, conductos decorativos y filtros, antes de la instalación final.**

La campana está diseñada para instalación dentro de un gabinete.

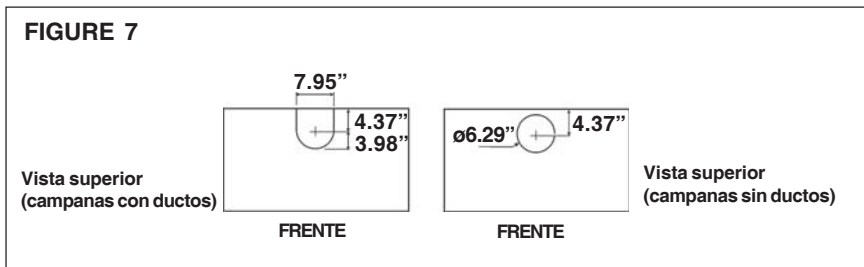
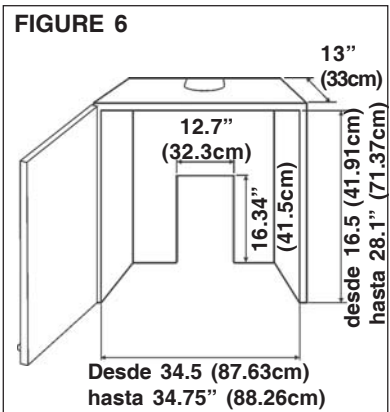
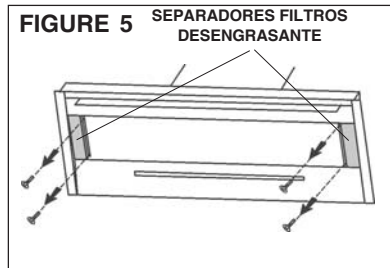
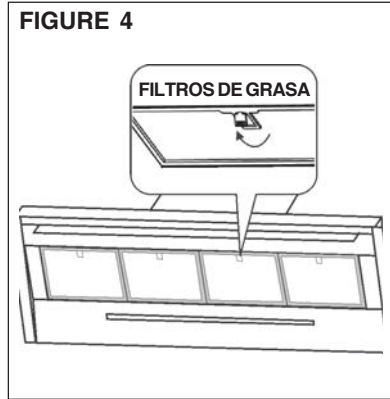
**ATENCIÓN:** se requieren 2 personas para la instalación correcta; la unidad debe ser instalada por un operador calificado. Para las medidas del gabinete, consulte Figuras 6 y 7.

Construya marcos de madera que estén alineados con la superficie interior de los montantes de la pared (Figura 11).

Asegúrese de que:

- a) el marco esté centrado sobre el lugar de la instalación.
- b) la altura del marco permita que la campana se pueda montar al marco manteniendo las dimensiones mostradas.

Nota: la distancia mínima entre la campana y la superficie de la cocina no puede ser menor de 24" (60,96 cm). Un máximo de 30" (76,20 cm) por encima de la cocina es recomendable para una mejor captura de las impurezas del cocinado. La instalación a mayor distancia que 30" (76,2cm) queda a discreción del operador y del usuario.



1. Use la guía suministrada para hacer (4) agujeros en la parte superior del gabinete.

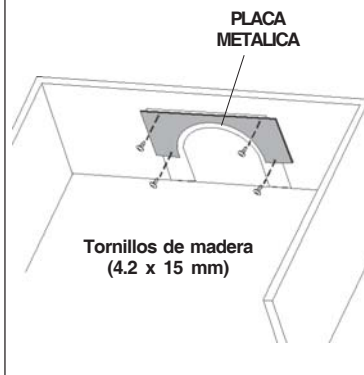
Fije la placa metálica al gabinete por medio de (4) tornillos de madera 4.2x15mm. Vea la figura 8.

2. Por instalación sin conductos: Fije la brida en el gabinete por medio de los (3) tornillos de madera (4,2 x 15 mm) suministrados. Vea la figura 9.

3. Por instalación de la chimenea decorativa: use la guía suministrada para hacer (2) agujeros en la parte superior del gabinete.

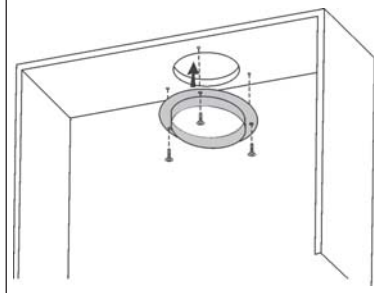
Fije el soporte de montaje de la chimenea al gabinete por medio de (4) tornillos de madera 4.2x15mm. Vea la figura 10.

**FIGURE 8**

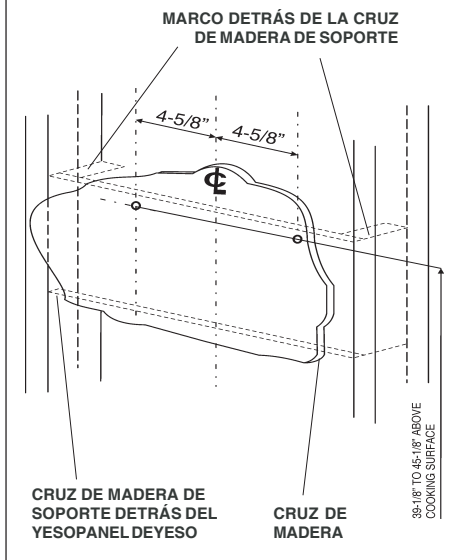


**FIGURE 9**

Tornillos para madera (4.2 x 15 mm)

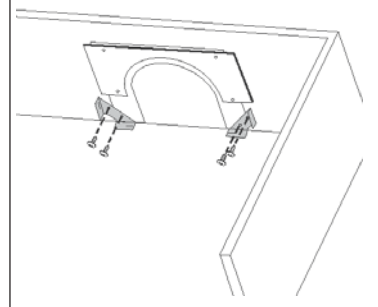


**FIGURE 11**



**FIGURE 10**

Tornillos de madera (4.2 x 15 mm)



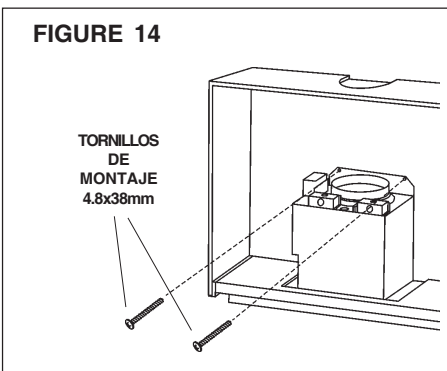
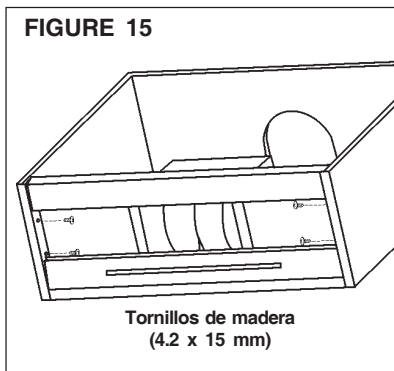
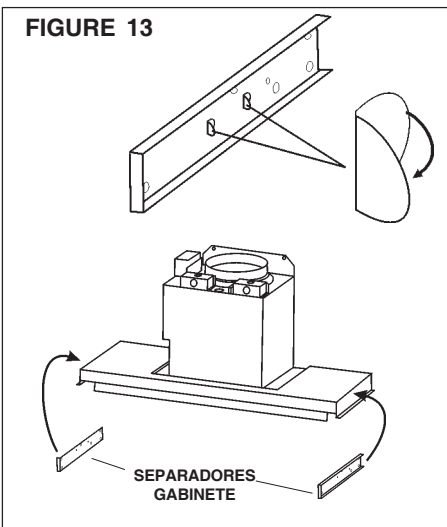
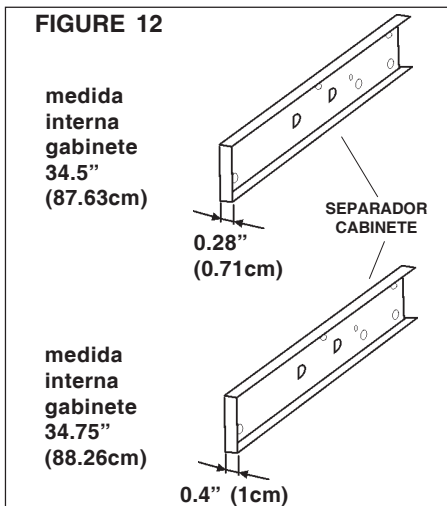


4. Tome los separadores adecuados al espesor del gabinete, vea Fig.12:

- para el gabinete de medida interna de 34,5" (87,63 cm) (espesor del gabinete 3/4"), utilice separadores de espesor 0,28" (0,71 cm)

- para el gabinete de medida interna de 34,75" (88,265 cm) (espesor del gabinete 5/8"), utilice separadores de espesor 0,40" (1 cm).

5. Coloque los (2) separadores a los lados de la campana con cinta (no ajustar con tornillos). Vea Figura 13.
6. Instale la campana con los (2) tornillos de 4.8 x 38 mm y los paneles de yeso (optional) Fig.14.
7. Acerque la campana y separadores gabinete a la parte inferior del gabinete y luego asegure la unidad por medio de los 4 tornillos de madera (4,2 x 15 mm) suministrados. Consulte la figura 15.
8. Reemplace los (2) separadores de filtros y los filtros desengrasantes eliminado en el paso 2.



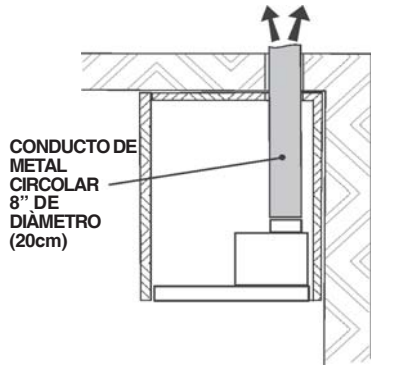
## CONECTE EL CONDUCTO

---

*(SOLO PARA CAMPANAS CON CONDUCTOS)*

1. Use un conducto de metal redondo de 6" (15 cm) para conectar el collar de escape de la campana con la red de conductos superior. Vea la figura 16.
2. Use cinta aisladora para asegurar todas las uniones herméticamente.

FIGURE 16



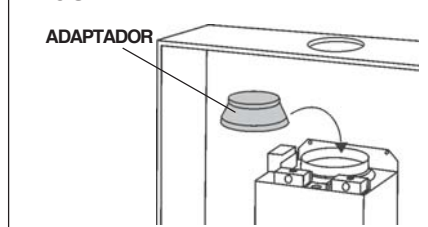
## INSTALACIÓN SIN CONDUCTO SOLO PARA CAMPANAS SIN CONDUCTOS

---

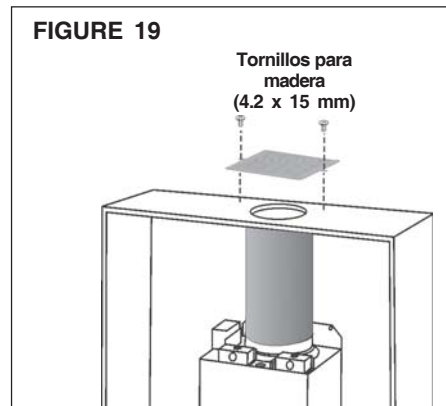
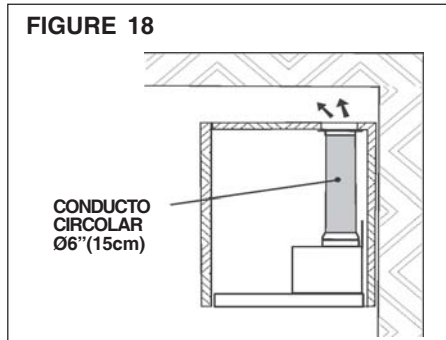
Quando se usa el modo de recirculación, para reducir el riesgo de incendio y choque use sólo kitde recirculación Modelo ANKCC45.

1. Instale el adaptador en la salida de aire. Vea Figura 17.

FIGURE 17

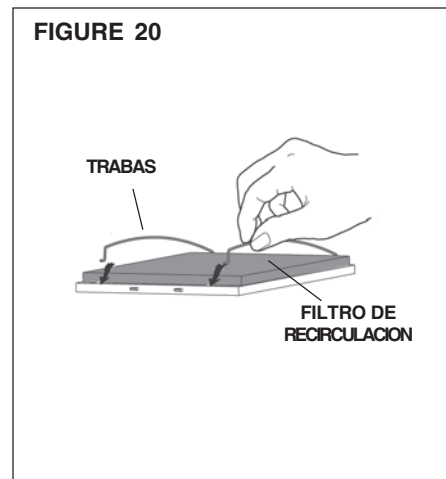


2. Vea la figura 18. Conecte un conducto circular de 6"(15 cm) a la abertura de descarga para que el aire salga del gabinete y sea enviado de vuelta a la habitación.
3. Use cinta adhesiva para cerrar todas las uniones herméticamente.
4. Vea la Figura 19. Monte la rejilla sin conducto por medio de los (2) tornillos de madera (4.2 x 15 mm) suministrados.



## INSTALACIÓN DE FILTROS DE RECIRCULACIÓN SIN CONDUCTO (SOLO PARA CAMPANAS SIN CONDUCTOS)

- Los filtros de recirculación están incluidos en el kit ANKCC45
1. Compre filtros de recirculación sin conducto por separado (AECC45SB).
  2. Coloque el filtro de recirculación sin conducto sobre el filtro de grasa y bloqueeo con las (2) trabas. Vea Figura 20.



## INSTALACIÓN ELÉCTRICA

**Nota:** Este tipo de campana tiene que ser conectada a tierra cuidadosamente. La unidad debe instalarla un técnico electricista siguiendo las normas nacionales y locales.

1. Quite la **tapa de la caja de conexión eléctrica** y saque un cable (Fig.21).
2. Fije el "conduit" a la caja de conexión por medio de un conector idóneo para el "conduit".
3. Haga las conexiones eléctricas, una blanco con blanco, negro con negro y verde con verde.
4. Vuelva a conectar la tapa de la caja de conexión. Compruebe que los cables no queden pillados.

## INSTALACIÓN ELÉCTRICA ADICIONAL DE EXTRACTOR

1. Pase un cable doble y una toma de tierra del ventilador exterior o "In-Line" hacia la caja de cables de la campana señalada "motor connection" (Fig.22)
2. Quite la cubierta de la caja de cables y quite un knockout.
3. Alimente 6" de cable a través de apertura del "knockout" y asegurado el cable en la caja eléctrica con un conector apropiado.
4. Efectúe las conexiones eléctricas a la campana. Conecte el cable blanco con el blanco, el **rojo con el negro** y el verde con la toma de tierra.
5. Tape la caja de los cables y atorníllela. Asegúrese de que los cables no se queden pillados entre la cubierta y la caja.

### Conexión del ventilador exterior:

1. Haga las conexiones eléctricas en el ventilador exterior (vea las instrucciones provistas con el ventilador exterior).

FIGURE 21

TAPA DE CONEXIÓN ELÉCTRICA

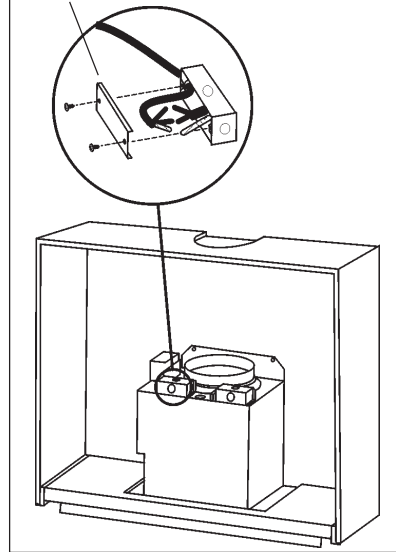
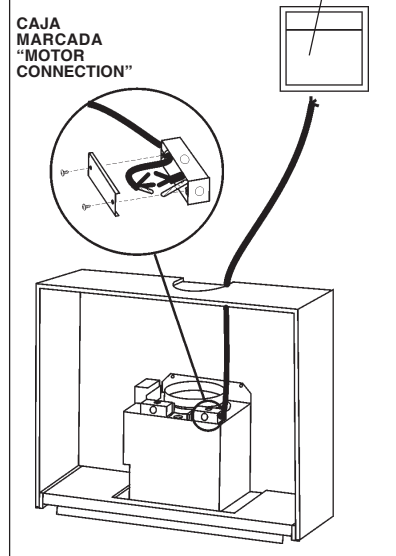


FIGURE 22

CONECTE:  
EL CABLE BLANCO CON EL BLANCO,  
EL ROJO CON EL NEGRO  
EL VERDE A LA TOMA DE TIERRA

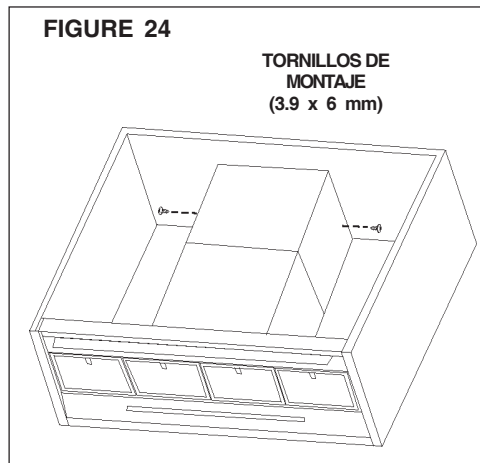
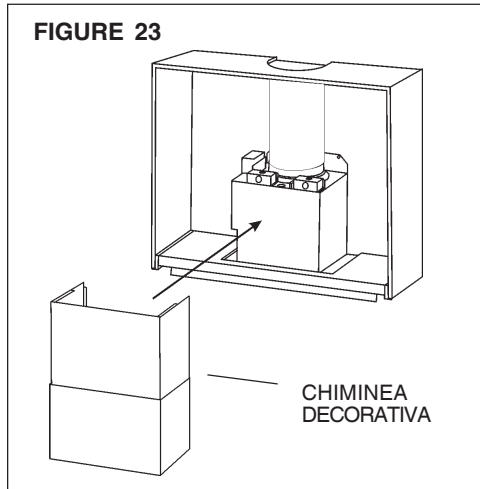
VENTILATEUR EXTERIOR O "IN-LINE"

CAJA MARCADA "MOTOR CONNECTION"



## INSTALACIÓN DE LA CHIMENEA DECORATIVA

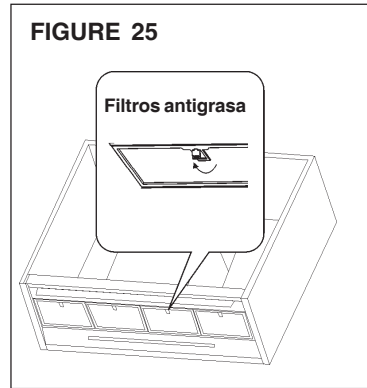
1. Coloque la chimenea decorativa dentro del gabinete. Vea la figura 23.
2. Fije la chimenea decorativa al soporte de montaje por medio de (2) tornillos de montaje 3.9x6mm. Vea la Figura 24.
3. Compre el kit de Chimenea Superior AECC45SB de su distribuidor para un gabinete con altura interna mayor que 28.1" (71,2 cm).



## MANTENIMIENTO

Un mantenimiento adecuado de la campana asegura el funcionamiento correcto del aparato.

**ANTES DE REALIZAR OPERACIONES DE MANTENIMIENTO O LIMPIEZA DE LA UNIDAD, DESCONECTE LA ALIMENTACIÓN EN EL PANEL DE SERVICIO Y CIERRE EL MISMO CON UN CANDADO. DESCONECTAR EL SERVICIO SIGNIFICA EVITAR LA CONEXIÓN ACCIDENTAL DE LA ALIMENTACIÓN. SI NO ES POSIBLE CERRAR EL PANEL DE SERVICIO CON UN CANDADO, COLOQUE EN ÉL UN DISPOSITIVO DE SEÑALIZACIÓN ADECUADO COMO, POR EJEMPLO, UN LETRERO DE ADVERTENCIA.**



### **Filtros antigrasa**

Los **filtros antigrasa** deben limpiarse periódicamente, según el uso, en promedio cada 2 meses.

Use un detergente que no sea fuerte. El filtro antigrasa se puede meter en el lavavajillas.

Limpie los filtros que sean completamente de metal del lavavajillas con un detergente sin fosfato. Es posible que se produzca una decoloración del filtro si se usan detergentes con fosfato o como resultado del estado del agua local, pero esto no afectará el rendimiento del filtro. Esta decoloración no está cubierta por la garantía.

Extraiga el filtro tirando de ello hacia atrás de la campana y girándolos hacia abajo. (Fig. 25); elimina los otros filtros de la misma manera.

### **Filtro de recirculación**

El filtro debe cambiarse cada 3/6 meses. Extraiga el traba y reemplazar el filtro de recirculación.

### **Limpieza de la campana**

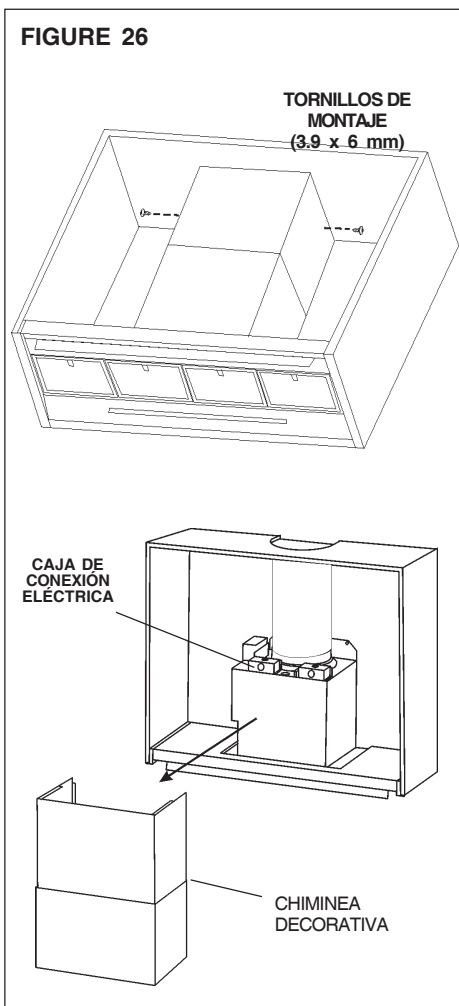
El acero inoxidable es uno de los materiales más fáciles de limpiar, pero sería aconsejable un especial cuidado en su uso para mantenerla en buen estado. La campana se puede limpiar de las siguientes maneras:

- Agua caliente con jabón o detergente es la mejor manera para limpiarla.
- Aclárela con agua corriente, séquela con un paño suave y limpio para evitar las huellas que deja el agua.
- Para las manchas o restos de grasa que persistan, use un producto químico doméstico que no raye ó un limpiador para acero inoxidable con poca agua y un paño suave.
- Si las manchas persisten, use un estropajo y un cepillo de cerdas suaves con un producto limpiador y agua. Frote suavemente en el sentido del pulido o de las "vetas" del remate del inoxidable. No apriete demasiado porque podría dañar la superficie.
- No deje que las manchas se acumulen durante mucho tiempo.
- No use utensilios o cepillos de acero. Pequeñas partículas de acero pueden adherirse y oxidarse.
- No use soluciones salinas, desinfectantes, lejías, o productos de limpieza que permanezcan en contacto con el acero inoxidable durante largos periodos de tiempo. Muchos de estos productos contienen componentes químicos que podrían resultar nocivos. Aclare con agua y seque con un paño limpio.

Las superficies lacadas deben limpiarse solamente con agua tibia y detergente no muy fuerte.

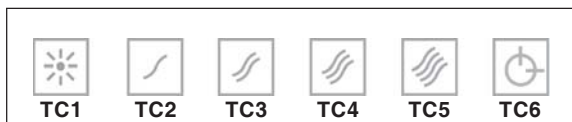
## CÓMO ACCEDER A LA CAJA DE CONEXIÓN ELÉCTRICA

Para acceder a las cajas de cableado, remueva la chimenea decorativa quitando los (2) tornillos de montaje de 3.9x6 mm. Vea la figura 26.



# FUNCIONAMIENTO

**Notas: Evite utilizar productos que produzcan llamas debajo del aparato.**



## **Botón TC1 (Luces)**

Interruptores principal luz de Alta intensidad/Medios intensidad/Baja intensidad/OFF

## **Botón TC2 (Motor -V1)**

Motor ON / OFF - Activa el motor en baja velocidad.

## **Botón TC3 (Motor -V2)**

Activa el motor en medios/baja velocidad.

## **Botón TC4 (Motor -V3)**

Activa el motor a medios/alta velocidad.

## **Botón TC5 (Motor -V4)**

Activa el motor en alta velocidad.

## **Botón TC6 (apagado automático Temporizador Apagado 10 min.)**

Activa la función de temporizador en la velocidad que ya ha sido seleccionado si el motor no está activo, se enciende el motor a la primera velocidad y se activa la función TEMPORIZADOR. Cuando la función de temporizador está activo, iluminación TC6 parpadear.

## **Modo de limpieza**

Mientras presiona TC1 y TC6 durante 2 segundos activa el modo de limpieza para facilitar la limpieza del vidrio. Cuando la función está activada, todas las teclas están desactivadas (esta característica se muestra con TC1 + TC6 sucesivamente). Para desactivar la función, debe mantener pulsado el TC1 y TC6 durante 2 segundos, o esperar 5 minutos para que la función se desactive automáticamente.

## **ALARMA filtro 30h**

Después de 30 horas de operación, una alarma se enciende para señalar la necesidad de limpieza del filtro anti-grasa. La alarma de filtro, cuando se activa, se muestra durante 30 segundos cada vez que el motor se desactiva: iluminación TC6 ON. Durante este período, es posible restablecer la alarma pulsando el botón TC6 durante más de un segundo.

## **ALARMA filtro de recirculación 120h**

Después de 120 horas de funcionamiento, una alarma se enciende para señalar la necesidad de filtro de recirculación (opcional) de reemplazo. La alarma de filtro, cuando se activa, se muestra durante 30 segundos cada vez que el motor se desactiva:

BL6 parpadeo de la iluminación. Durante este período, es posible restablecer la alarma pulsando el botón TC6 durante más de un segundo.

## **Zumbador**

El zumbador emite un "bip" cada vez que un comando se configura desde el teclado o el mando a distancia (opcional).

## **HEAT SENTRY™**

La campana está equipada con un termostato HEAT SENTRY™. Este termostato es un dispositivo que encenderá o acelerará el extractor si detecta calor excesivo sobre la superficie de cocción.

- 1) Si el extractor está APAGADO: ENCIENDE el extractor en velocidad ALTA.
- 2) Si el extractor está ENCENDIDO en un ajuste de velocidad bajo: cambia el extractor a velocidad ALTA.

Cuando el nivel de temperatura descienda a normal, el extractor regresará a su ajuste original.

## **ADVERTENCIA**

**El termostato HEAT SENTRY puede iniciar el extractor aún si la campana está APAGADA. Cuando sucede esto, es imposible APAGAR el extractor con su interruptor. Si debe detener el extractor, hágalo desde el panel eléctrico principal.**



# ILUMINACIÓN

---

Si el led está dañado, debe ser repuesto por el fabricante, un servicio técnico autorizado o técnico autorizado para minimizar todo tipo de riesgo.

## GARANTIA

---

### **GARANTIA BEST POR UN AÑO**

Broan-NuTone LLC (Broan-NuTone) garantiza al consumidor-comprador de sus productos BEST que dichos productos no tendrán defectos en los materiales o fabricación, durante un periodo de un año a partir de la fecha de la compra. NO HAY OTRO TIPO DE GARANTIAS QUE INCLUYAN O SE LIMITEN EXCLUSIVAMENTE A GARANTIAS IMPLICITAS O DE CAPACIDAD COMERCIAL O CONVENIENCIA PARA UN PROPOSITO ESPECIFICO.

Durante el periodo de un año, Broan-NuTone, si lo estima conveniente, reparará o reemplazará sin gastos para el usuario cualquier producto o parte de éste que sea defectuosos habiéndose usado correctamente.

ESTA GARANTIA NO CUBRE: ESTARTER DE NEON, NEON, LÁMPARAS HALÓGENAS, LÁMPARAS DE ILUMINACIÓN, FUSIBLE, FILTROS, CONDUCTOS, TAPAS DE TECHO, TAPAS DE PARED Y OTROS ACCESORIOS PARA LOS CONDUCTOS. Tampoco cubre el mantenimiento ni los productos o partes de éstos que hayan sido usados de forma incorrecta, con negligencia, rotos accidentalmente o por una incorrecta manutención ó reparación (distinta da la realizada por Broan-NuTone), montaje incorrecto ó instalación que no se ajuste a las instrucciones de montaje indicadas. Le duración de la garantía se limita al periodo de un año como está especificado en la garantía explicita. Algunos países no permiten un limite en la duración de la garantía implicita; si es así en su caso, esta limitación arriba indicada podría no aplicarse.

LA PRESENTE GARANTIA CUBRIRA EXCLUSIVAMENTE AL COMPRADOR LOS SERVICIOS DESCRITOS ANTERIORMENTE. BROAN-NUTONE NO SE HACE RESPONSABLE DE DANOS PRODUCIDOS DE MANERA ACCIDENTAL O RELACIONADOS CON EL USO INCORRECTO DEL PRODUCTO O SU FUNCIONAMIENTO.

Algunos países no permiten la exclusión o limitación de los daños producidos de manera accidental, si es así en su caso, esta limitación arriba indicada podría no aplicarse. Esta garantía le da derechos legales específicos y podría también disponer de otros derechos que varían de país a país.

Esta garantía supera otras garantías dadas con anterioridad. Para disfrutar de la garantía usted deberá (a) Avisar a la dirección abajo indicada ó bien llamar por teléfono (b) Dar el número de serie del modelo correspondiente o bien una descripción de la parte averiada. (c) Descripción del defecto en el producto o bien en una de sus partes. Para requerir un servicio en garantía debe presentar el justificante con la fecha de la compra.

In USA - Best®, 926 W. State Street, Hartford, WI 53027 (800-558-1711)  
In Canada - Best®, 550 Lemire Blvd., Drummondville, QC J2C 7W9 (866-737-7770)  
[www.BestRangeHoods.com](http://www.BestRangeHoods.com)

## PIEZAS DE REPUESTO

CC45I90SB

CLAVE N.º	PIEZA N.º	DESCRIPCIÓN
9	B08087772	Filtro desengrasante
14	99271379	Capacitor del motor
26	B023004301	Led
37	B02300804	Sensor de temperatura
73	B002090443	Vidrio
113	B02011550	Logo
115	BE3350233	Caja de conexión eléctrica
165	B03295008	Caja de capacitor de motor
485	B08016412	Conjunto chimenea Decorativa
ARU	B08092501	Conjunto casquillo 8"
AQI	B06102788	Ensamble comandos
IME	B06142997	Ensamble de instalación eléctrica
CAS	B06002309U	Conjunto del ventilador
998	B080811045	Bolsita
-	ANKCC45	Conjunto configuración sin ducto
-	AFCCC45	Conjunto filtros al carbón (incluye 4 filtros)

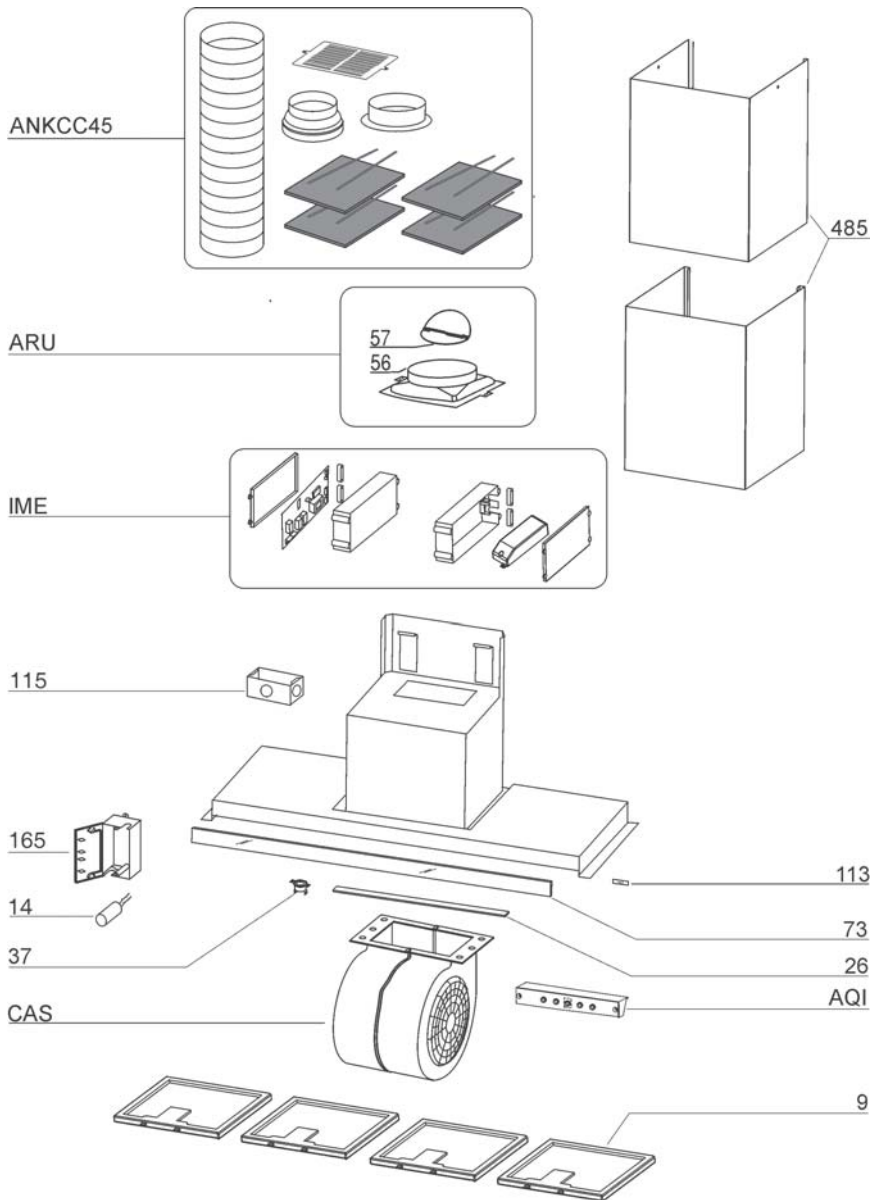
## SERVICE PARTS

CC45E90SB

CLAVE N.º	PIEZA N.º	DESCRIPCIÓN
9	B08087772	Filtro desengrasante
26	B023004301	Led
37	B02300804	Sensor de temperatura
73	B002090443	Vidrio
113	B02011550	Logo
115	BE3350233	Caja de conexión eléctrica
485	B08016412	Conjunto chimenea Decorativa
ARU	B08092501	Conjunto casquillo 8"
AQI	B06102789	Ensamble comandos
IME	B06142996	Ensamble de instalación eléctrica
998	B080811045	Bolsita

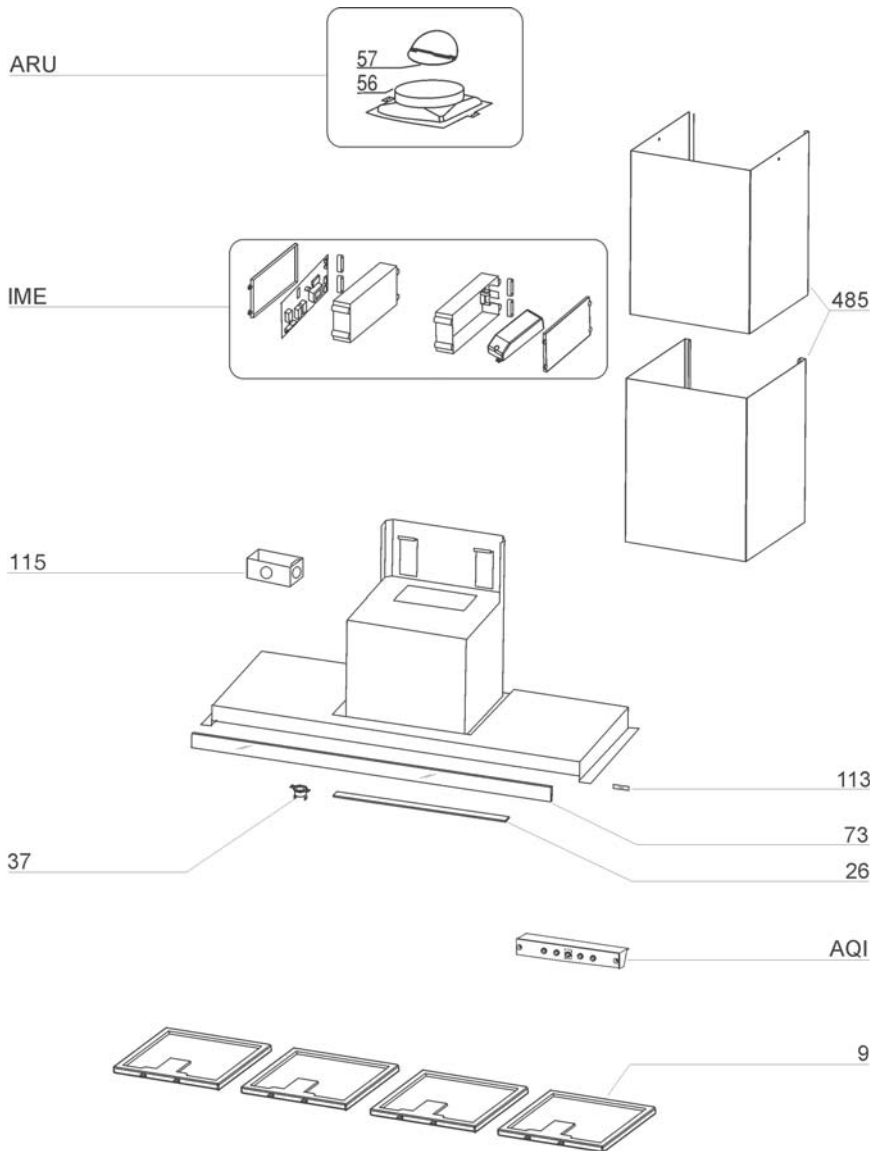
# LISTA DE PIEZAS DE RICAMBIO

CC45I90SB



# LISTA DE PIEZAS DE RICAMBIO

CC45E90SB



99046062C  
04308835/3