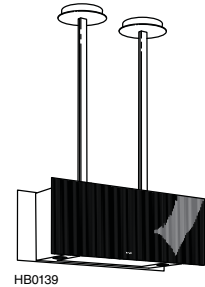


# SECRET IC35I90B & IC35I90W RANGE HOODS



Range hoods needn't come with expectations. Why can't metal be glass? Choose black or white glass to meet your vision. It abandons the flue in duct-free applications. SECRET is unlike any range hood but it may meet your unique expectations.

### FEATURES

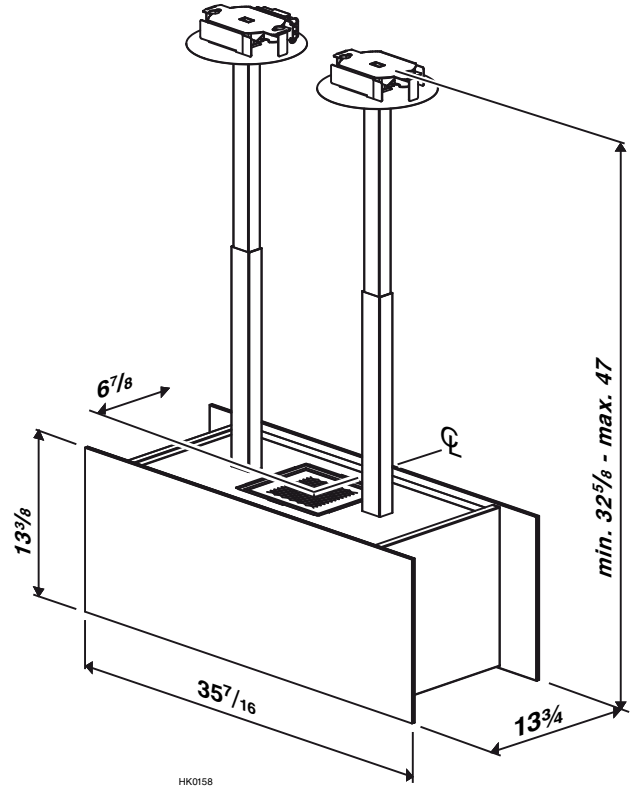
- Italian design
- Ceiling mount
- Finishes: black glass or white glass panels
- Width: 35 7/16"
- Ducted & non-ducted
- 6" round duct connector/backdraft damper
- Telescopic rods accommodate 8' to 9' ceilings (Purchase duct flue kit separately.)
- 2-level halogen lighting (2 bulbs included. Type T4, G9 base, 120 volt, 25 watts max.)
- 4-speed push-button control with lighted speed indicator
- Quiet, variable-speed centrifugal blower with high-efficiency motor produces 490 CFM of exhaust
- Heat Sentry™ - automatically turns blower to high speed when excess cooking heat is detected
- Dishwasher-safe filter features a quick-release latch
- Delay timer control automatically shuts off range hood after 10 minutes
- Filter clean reminder
- For indoor use only

### OPTIONS

- Ducted flue kit (Model AEIC35SB)
- Replacement charcoal filters available (Model FILTEREB40)

### SPECIFICATIONS

VOLTS	HZ	AMPS	CFM		SONES		DUCT
			MAX.	NORM.	MAX.	NORM.	
120	60	3.12	490	220	7.0	2.5	6" Round



NOTE: DIMENSIONS SHOWN ARE IN INCHES



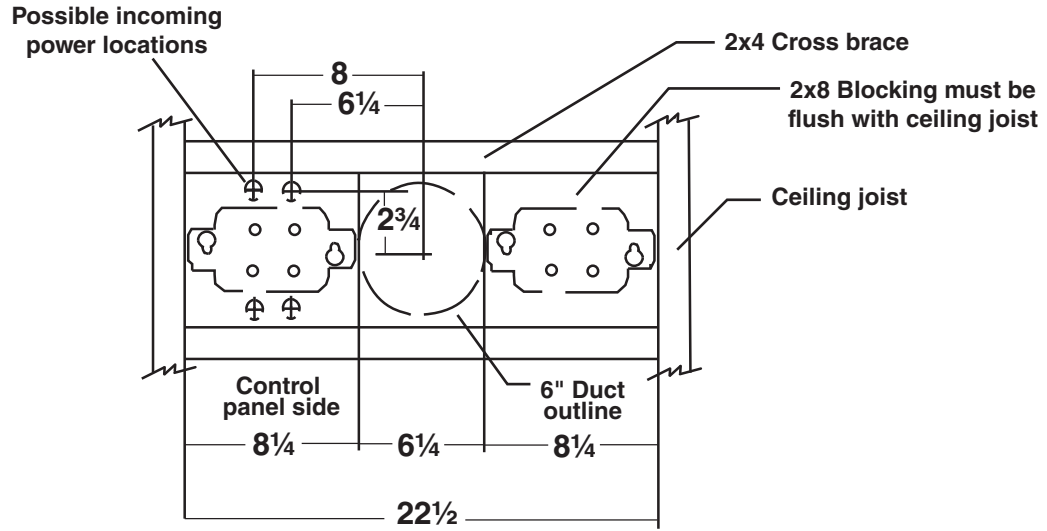
HVI-2100 CERTIFIED RATINGS comply with new testing technologies and procedures prescribed by the Home Ventilating Institute, for off-the-shelf products, as they are available to consumers. Product performance is rated at 0.1 in. static pressure, based on tests conducted in a state-of-the-art test laboratory. Sones are a measure of humanly-perceived loudness, based on laboratory measurements.

BEST Drummondville, QC, Canada www.BestRangeHoods.ca 866-737-7770

REFERENCE	QTY.	REMARKS	Project	
			Location	
			Architect	
			Engineer	
			Contractor	
			Submitted by	Date

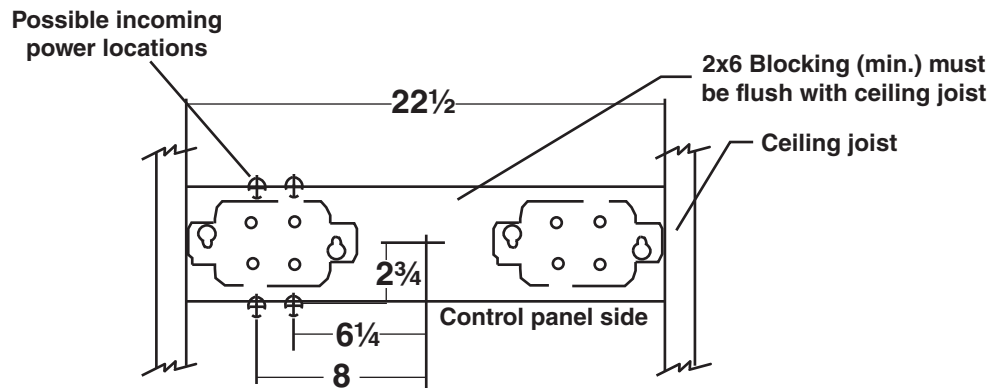
# IC35I90B & IC35I90W MOUNTING

## DUCTED CEILING MOUNTING



HD0619

## NON-DUCTED CEILING MOUNTING



HD0620

CEILING HEIGHT	DUCT METHOD	HOOD DISTANCE ABOVE 36" HIGH COOK TOP (see note below)						
		24"	25"	26"	27"	28"	29"	30"
HEIGHT OF ASSEMBLED TELESCOPIC ARM ASSEMBLY								
8 FEET	DUCTED OR NON-DUCTED	23.5"		21.5"				
9 FEET	DUCTED OR NON-DUCTED		34.5"	33.5"		31.5"		29.5"

Note : Minimum hood distance above cook top must not be less than 24".  
 A maximum of 30" above cook top is highly recommended for best capture of cooking impurities.  
 Distances over 30" are at the installer and user's discretion; and if ceiling height and flue length permit.