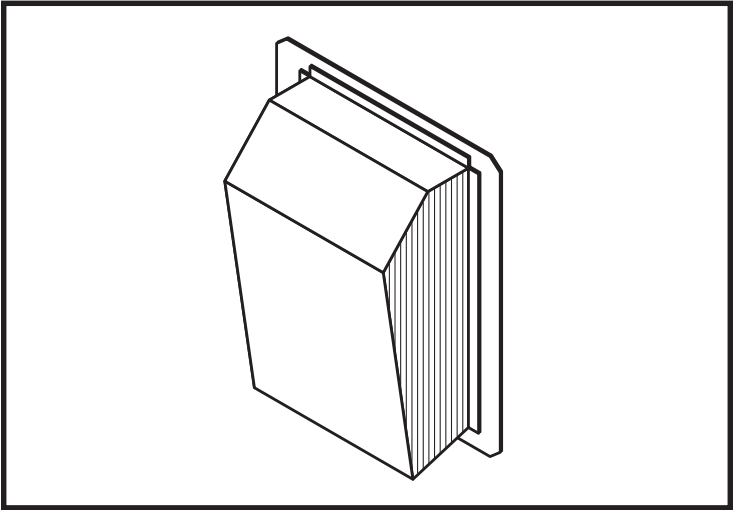


**best**<sup>®</sup>  
by **BROAN**<sup>®</sup>

---



# **Model EB15**

## **EXTERIOR MOUNTED BLOWER**

**For use with compatible  
Best by Broan range hoods.  
See hood manual for suitability.**

**BEST BY BROAN, P.O. BOX 140 HARTFORD, WI 53027**

# READ AND SAVE THESE INSTRUCTIONS

## WARNING

**TO REDUCE THE RISK OF FIRE, ELECTRIC SHOCK, OR INJURY TO PERSONS, OBSERVE THE FOLLOWING:**

1. Use this unit only in the manner intended by the manufacturer. If you have questions, contact the manufacturer at the address or telephone number listed in the warranty.
2. Before servicing or cleaning unit, switch power off at service panel and lock the service disconnecting means to prevent power from being switched on accidentally. When the service disconnecting means cannot be locked, securely fasten a prominent warning device, such as a tag, to the service panel.
3. Installation work and electrical wiring must be done by a qualified person(s) in accordance with all applicable codes and standards, including fire-rated construction codes and standards.
4. Sufficient air is needed for proper combustion and exhausting of gases through the flue (chimney) of fuel burning equipment to prevent backdrafting. Follow the heating equipment manufacturer's guideline and safety standards such as those published by the National Fire Protection Association (NFPA), and the American Society for Heating,

## WARNING

- Refrigeration and Air Conditioning Engineers (ASHRAE), and the local code authorities.
5. When cutting or drilling into wall, or ceiling, do not damage electrical wiring or other hidden utilities.
  6. Ducted fans must always be vented to the outdoors.
  7. To reduce risk of fire, use only metal ductwork.
  8. This unit must be grounded.

## CAUTION

1. For general ventilating use only. Do not use to exhaust hazardous or explosive material and vapors.
2. To avoid motor bearing damage and noisy and/or unbalanced impellers, keep dry-wall spray, construction dust, etc. off power unit.
3. Please read specification label on product for further information and requirements.
4. Electrical circuit, including speed control, (if used), must be rated 6 AMPS minimum.

**INSTALLER: Leave This Manual With The Homeowner.**

**HOMEOWNER: Use And Care Information On Page 6.**

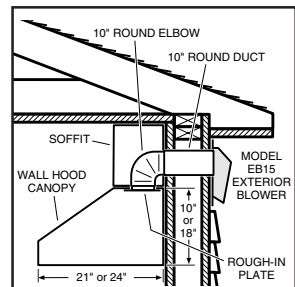
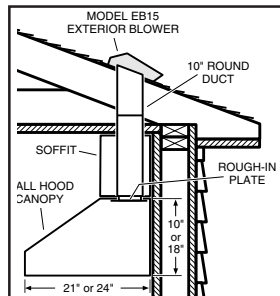
## SPECIFICATIONS

MODEL	VOLTS	AMPS	CFM	DUCT SIZE
EB15	120	4.3	1500	10" DIA.

## PLAN THE INSTALLATION

### ALL INSTALLATIONS

1. Locate the blower so the length of the duct run and number of elbows are kept to a minimum.
2. Where possible, blower should be centered between wall studs or roof rafters.
3. Avoid pipes, wires, or other ductwork that may be running through the wall.
4. Attach mounting plate to top of hood.
5. Install 10" dia. ductwork and 120 VAC house wiring between blower location and hood location.



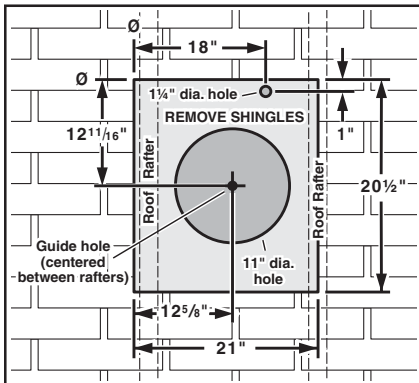
**TYPICAL WALL MOUNTED INSTALLATION**

**TYPICAL ROOF MOUNTED INSTALLATION**

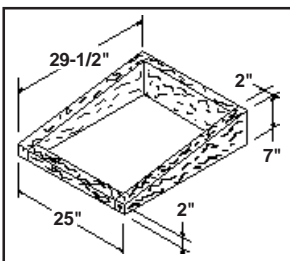
## PREPARE THE INSTALLATION LOCATION

### ROOF INSTALLATIONS

1. Locate the blower on the rear slope of the roof. Place it in a location to minimize duct run. The location should be free of obstacles (T.V. leads, electrical lines, etc.). If the blower top is level with the roof peak, it will not be seen from the street. Keep this approximate location in mind as you work from within the attic.
2. Mark and drill a **guide hole** centered between **roof rafters**.



3. From the outside, use the guide hole as a starting point to lay out the installation:
  - A. Use a T-square to measure  $12\frac{5}{8}$ " to the left of the guide hole, then up  $12\frac{11}{16}$ " to locate the top-left corner of the layout.
  - B. Starting from the top-left corner, mark the rectangular cutout ( $21$ " W x  $20\frac{1}{2}$ " H) and remove only the shingles in this area.
  - C. Mark an **11" diameter hole** centered on the guide hole. Cut this hole through the roof board(s).
  - D. Mark and cut a **1 1/4" diameter hole** through the roof board(s) where shown.



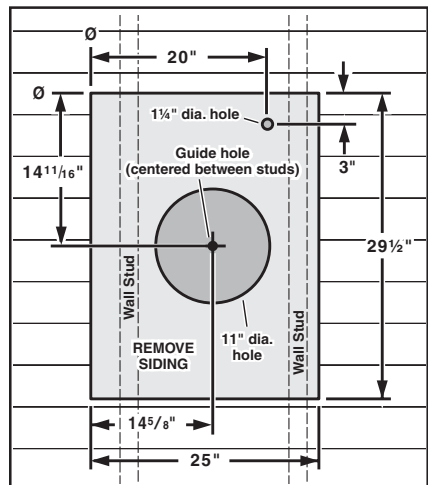
4. For flat roof installations, build a curb that will

mount the blower at a minimum pitch of 2/12. Discharge end of the blower should be pointed downward.

## PREPARE THE INSTALLATION LOCATION

### WALL INSTALLATIONS

1. Choose a position on the outside wall. Make sure that no wall studs, pipes or wires run through the opening area.
2. From inside, mark and drill a **guide hole** centered between **wall studs**.

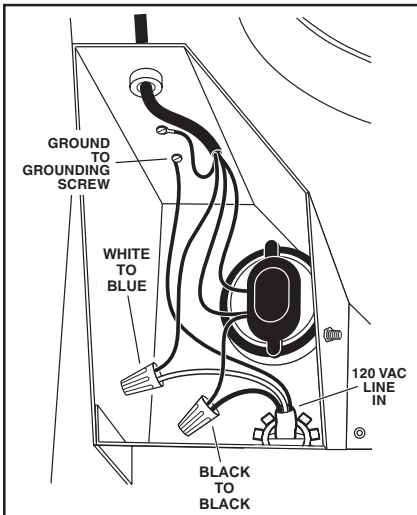


3. From the outside, use the guide hole as a starting point to lay out the installation:
  - A. Use a T-square to measure  $14\frac{5}{8}$ " to the left of the guide hole, then up  $14\frac{11}{16}$ " to locate the top-left corner of the layout.
  - B. Starting from the top-left corner, mark the rectangular cutout ( $25$ " W x  $29\frac{1}{2}$ " H) and remove only the siding in this area.
  - C. Mark an **11" diameter hole** centered on the guide hole. Cut this hole through the roof board(s).
  - D. Mark and cut a **1 1/4" diameter hole** through the roof board(s) where shown.

## INSTALL THE BLOWER

### ROOF INSTALLATIONS

1. Remove the cover and screws.
2. Attach an appropriate U.L. approved cable connector in the hole at the rear of the wiring box.
3. Remove roofing nails from shingles around the TOP and SIDES of the cutout area only. Carefully lift the shingles to allow the back flashing sheet on the blower housing to fit under them.
4. Center the blower ring in the 11" diameter hole, making sure that the 1¼" diameter electrical wiring hole aligns with the hole in the wiring box.
5. Attach the blower to the roof with six (6) screws provided. It is recommended that the screws be located inside the blower housing. Drill pilot holes if necessary.
6. Using a good grade of roofing cement, seal all of the shingles around the housing and flashing sheet as well as the mounting screw heads.
7. Bring electrical wiring through the hole in the wiring box and secure it according to local codes.

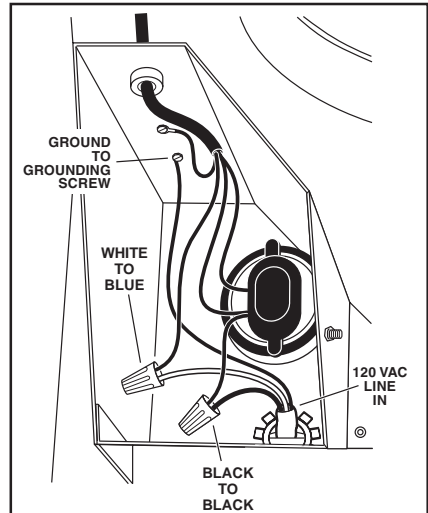


8. Make the electrical connections with the proper connector for the type of wiring being used. Connect black to black, white to blue, and the green or bare wire to grounding screw.
9. Replace cover and screws. Do not pinch wiring under the cover.
10. Make sure damper opens and closes freely.

## INSTALL THE BLOWER

### WALL INSTALLATIONS

1. Place a large bead of caulk on the back side of the housing all along the outer edges.
2. Center the blower ring in the 11" diameter hole, making sure that the 1¼" diameter electrical wiring hole aligns with the hole in the wiring box.
3. Attach blower to the wall with the six (6) screws provided. It is recommended that the screws be located inside the blower housing. Drill pilot holes if necessary.
4. Using a good grade of caulk, seal all around the mounting screw heads.
5. Bring electrical wiring through the hole in the wiring box and secure it according to local codes.



6. Make the electrical connections with the proper connector for the type of wire being used. Connect black to black, white to blue and green or bare wire to grounding screw.
7. Replace cover and screws. Do not pinch wiring under cover.
8. Make sure damper opens and closes freely.
9. Top and side flanges of the back plate may be covered with trim strips. Do not block grille opening at bottom with trim. It will adversely affect performance of the blower.

# WARRANTY

---

## **BROAN ONE YEAR LIMITED WARRANTY**

Broan warrants to the original consumer purchaser of its products that such products will be free from defects in materials or workmanship for a period of one year from the date of original purchase. THERE ARE NO OTHER WARRANTIES, EXPRESS OR IMPLIED, INCLUDING, BUT NOT LIMITED TO, IMPLIED WARRANTIES OF MERCHANTABILITY OR FITNESS FOR A PARTICULAR PURPOSE.

During this one-year period, Broan will, at its option, repair or replace, without charge, any product or part which is found to be defective under normal use and service.

THIS WARRANTY DOES NOT EXTEND TO FLUORESCENT LAMP STARTERS AND TUBES. This warranty does not cover (a) normal maintenance and service or (b) any products or parts which have been subject to misuse, negligence, accident, improper maintenance or repair (other than by Broan), faulty installation or installation contrary to recommended installation instructions.

The duration of any implied warranty is limited to the one-year period as specified for the express warranty. Some states do not allow limitation on how long an implied warranty lasts, so the above limitation may not apply to you.

BROAN'S OBLIGATION TO REPAIR OR REPLACE, AT BROAN'S OPTION, SHALL BE THE PURCHASER'S SOLE AND EXCLUSIVE REMEDY UNDER THIS WARRANTY. BROAN SHALL NOT BE LIABLE FOR INCIDENTAL, CONSEQUENTIAL OR SPECIAL DAMAGES ARISING OUT OF OR IN CONNECTION WITH PRODUCT USE OR PERFORMANCE. Some states do not allow the exclusion or limitation of incidental or consequential damages, so the above limitation or exclusion may not apply to you.

This warranty gives you specific legal rights, and you may also have other rights, which vary from state to state. This warranty supersedes all prior warranties.

To qualify for warranty service, you must (a) notify Broan at the address stated below or telephone: 1-800-637-1453, (b) give the model number and part identification and (c) describe the nature of any defect in the product or part. At the time of requesting warranty service, you must present evidence of the original purchase date.

**BEST BY BROAN, P.O. Box 140, Hartford, WI 53027**

## USE AND CARE

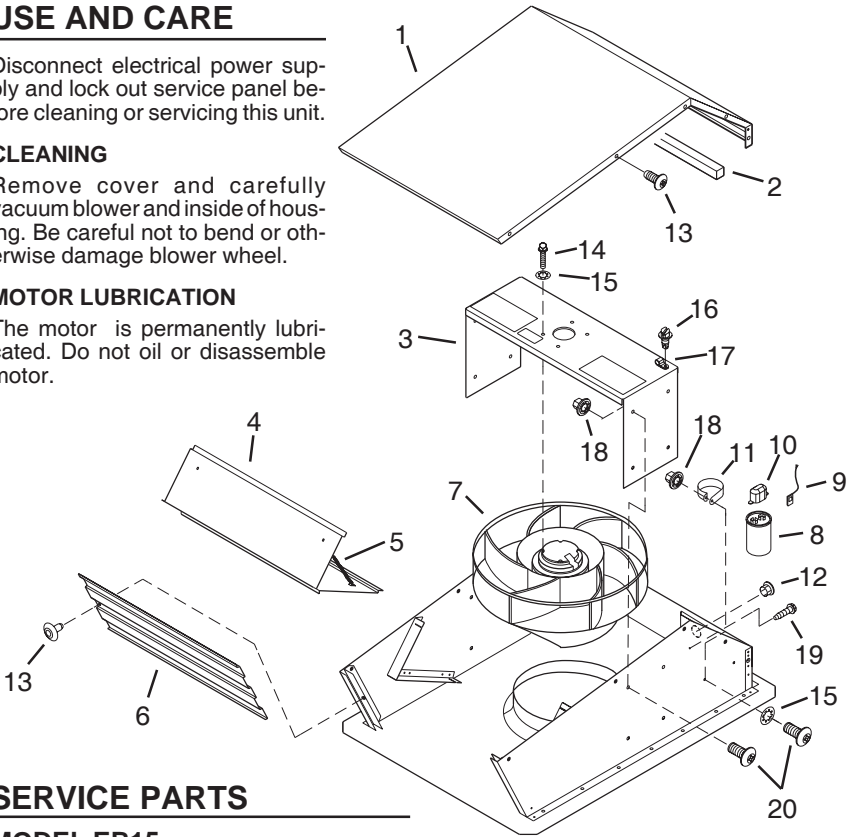
Disconnect electrical power supply and lock out service panel before cleaning or servicing this unit.

### CLEANING

Remove cover and carefully vacuum blower and inside of housing. Be careful not to bend or otherwise damage blower wheel.

### MOTOR LUBRICATION

The motor is permanently lubricated. Do not oil or disassemble motor.



## SERVICE PARTS

### MODEL EB15

KEY NO.	PART NO.	DESCRIPTION
1	98009538	Cover
2	99100531	Foam Seal
3	98009539	Motor Support
4	98009541	Damper Flap (2 req.)
5	99140145	Damper Spring (2 req.)
6	98009537	Grille
7	99080594	Blower Assembly
8	99271345	Capacitor
9	99271222	Wire Assembly-Black
10	99100530	Terminal Boot
11	99390136	Capacitor Clamp
12	99400079	Bushing
13	99150478	Screw, 8-18 x 3/8 Ph Tr Hd (12 req.)
14	99170269	Screw, M6 x 1.0-16 (4 req.)
15	99250958	Washer, Lock, Int. Tooth, 1/4 (5 req.)
16	99150506	Screw, 12-24 x .312 SLT HWH #2
17	99270461	Cord Clamp
18	99260477	Nut, Whiz, 1/4-20 (9 req.)
19	99150471	Ground Screw, 10-32 x 1/2 Slit Hx Hd (2 req.)
20	99160411	Screw, 1/4-20 x 1/2 Ph Pan Hd (9 req.)

\* Standard Hardware - may be purchased locally.

Order replacement parts by Part No. - NOT by Key No.

