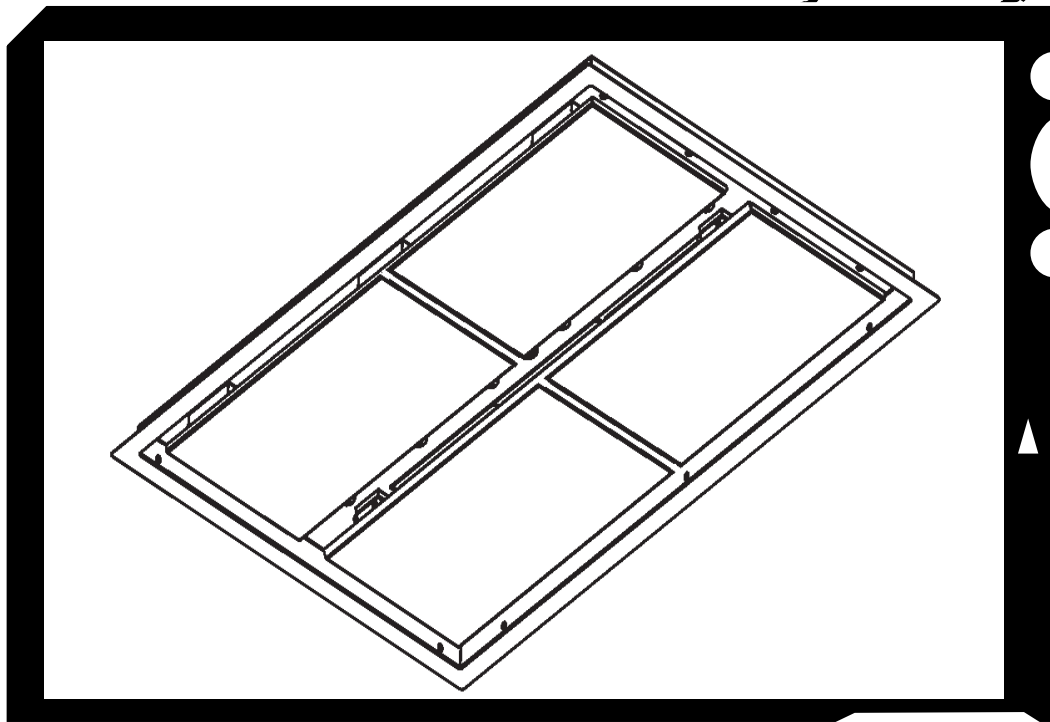


best®



Model CC34E63SB

ENGLISH.....	3
FRANÇAIS.....	20
ESPAÑOL.....	39

In USA - BEST Hartford, Wisconsin

In CANADA - BEST Drummondville, QC, Canada

REGISTER YOUR PRODUCT ONLINE AT : www.BestRangeHoods.com/register
For additional Information visit www.BestRangeHoods.com

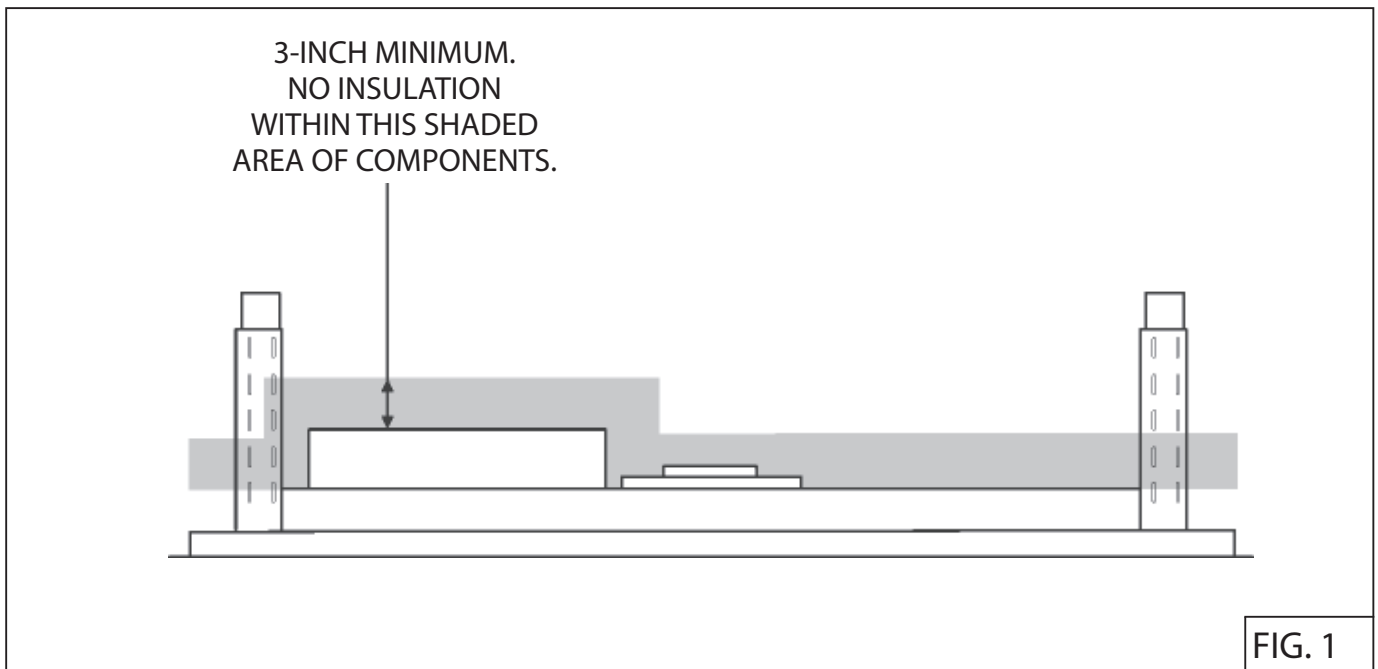
READ AND SAVE THESE INSTRUCTIONS

! INTENDED FOR DOMESTIC COOKING ONLY **!**

⚡ **🔥** WARNING

TO REDUCE THE RISK OF FIRE, ELECTRIC SHOCK, OR INJURY TO PERSONS, OBSERVE THE FOLLOWING:

1. Use this unit only in the manner intended by the manufacturer. If you have questions, contact the manufacturer at the address or telephone number listed in the warranty.
2. Before servicing or cleaning unit, switch power off at service panel and lock service panel to prevent power from being switched on accidentally. When the service disconnecting means cannot be locked, securely fasten a prominent warning device, such as a tag, to the service panel.
3. Installation work and electrical wiring must be done by a qualified person(s) in accordance with all applicable codes and standards, including fire-rated construction codes and standards.
4. Sufficient air is needed for proper combustion and exhausting of gases through the flue (chimney) of fuel burning equipment to prevent backdrafting. Follow the heating equipment manufacturer's guidelines and safety standards such as those published by the National Fire Protection Association (NFPA), and the American Society for Heating, Refrigeration and Air Conditioning Engineers (ASHRAE), and the local code authorities.
5. When cutting or drilling into wall or ceiling, do not damage electrical wiring and other hidden utilities.
6. Ducted fans must always be vented to the outdoors.
7. Do not use this unit with any separate solid-state speed control device.
8. To reduce the risk of fire, use only steel ductwork.
9. This unit must be grounded.
10. Type Non-IC Installation: Thermal insulation shall not cover top of range hood housing and must be spaced 3-inches (76mm) from all sides. (Fig. 1)



TO REDUCE THE RISK OF A RANGE TOP GREASE FIRE:

- A. Never leave surface units unattended at high settings. Boilovers cause smoking and greasy spillovers that may ignite. Heat oils slowly on low or medium settings.
- B. Always turn hood ON when cooking at high heat or when flambeing food (i.e. Crepes Suzette, Cherries Jubilee, Peppercorn Beef Flambe’).
- C. Clean ventilating fans frequently. Grease should not be allowed to accumulate on fan or filter.
- D. Use proper pan size. Always use cookware appropriate for the size of the surface element.

TO REDUCE THE RISK OF INJURY TO PERSONS IN THE EVENT OF A RANGE TOP GREASE FIRE, OBSERVE THE FOLLOWING:*

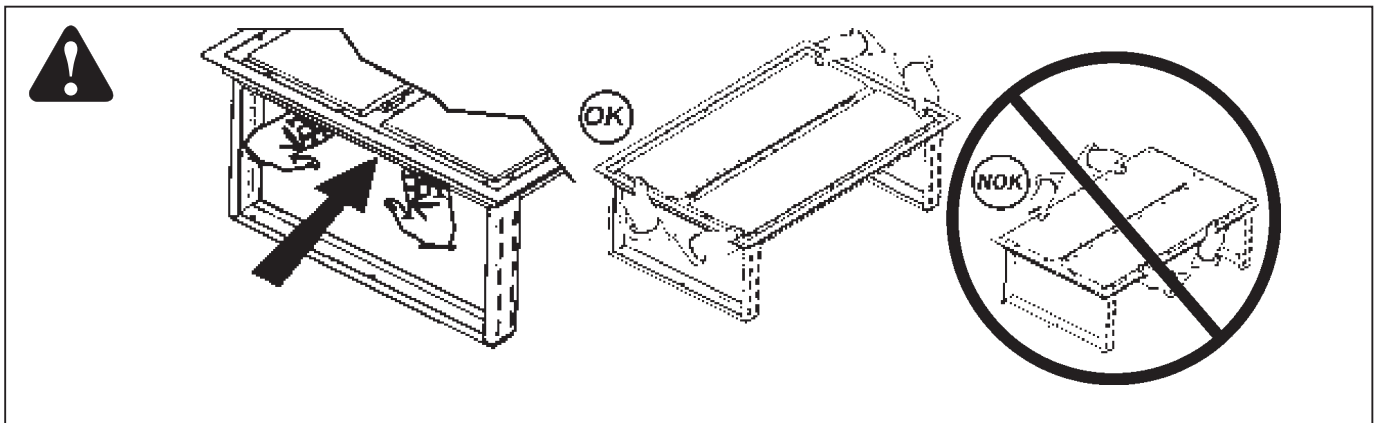
1. SMOTHER FLAMES with a close-fitting lid, cookie sheet, or metal tray, then turn off the burner. BE CAREFUL TO PREVENT BURNS. If the flames do not go out immediately, EVACUATE AND CALL THE FIRE DEPARTMENT.
2. NEVER PICK UP A FLAMING PAN - You may be burned.
3. DO NOT USE WATER, including wet dishcloths or towels - violent steam explosion will result.
4. Use an extinguisher ONLY if:
 - A. You know you have a Class ABC extinguisher and you already know how to operate it.
 - B. The fire is small and contained in the area where it started.
 - C. The fire department is being called.
 - D. You can fight the fire with your back to an exit.

* Based on “Kitchen Fire Safety Tips” published by NFPA.

CAUTION

1. For indoor use only.
2. To reduce risk of fire and to properly exhaust air, be sure to duct air outside. Do not vent exhaust air into spaces within walls or ceilings or into attics, crawl spaces, or garages.
3. Take care when using cleaning agents or detergents.
4. Avoid using food products that produce flames under the Range Hood.
5. For general ventilating use only. Do not use to exhaust hazardous or explosive materials and vapors.
6. To avoid motor bearing damage and noisy and/or unbalanced impellers, keep drywall spray, construction dust, etc. off power unit.
7. Your hood motor has a thermal overload which will automatically shut off the motor if it becomes overheated. The motor will restart when it cools down. If the motor continues to shut off and restart, have the hood serviced.
8. For best capture of cooking impurities, the bottom of the hood should be a minimum of 48” and a maximum of 72” above the cooking surface. See “Install Mounting Bracket” section for mounting restrictions.
9. Multiple installers are recommended because of the large size and weight of this hood.
10. Please read specification label on product for further information and requirements.
11. To reduce the risk of fire and electric shock, install this range hood only with Best Exterior Blower Models EB6, EB9, EB12, EB15, or Best In-Line Blower Models ILB3, ILB6, ILB9 or ILB11. Other blowers cannot be substituted. (Blowers sold separately.)
12. This power pack is equipped with a RF receiver (optional remote control sold separately). Changes or modifications not expressly approved by the party responsible for compliance could void the user’s authority to operate this product. The remote control has been tested and found to comply with the limits for a Class B digital device, pursuant to part 15 of the FCC Rules and the Canadian ICES-003. These limits are designed to provide reasonable protection against harmful interference in a residential installation. The remote control generates, uses and can radiate radio frequency energy and, if not installed and used in accordance with the instructions, may cause harmful interference to radio communications. However, there is no guarantee that interference will not occur in a particular installation. If this equipment does cause harmful interference to radio or television reception, which can be determined by turning the equipment off and on, the user is encouraged to try to correct the interference by one or more of the following measures:
 - Reorient or relocate the receiving antenna.
 - Increase the separation between the equipment and receiver.

• Connect the equipment into an outlet on a circuit different from that to which the receiver is connected.

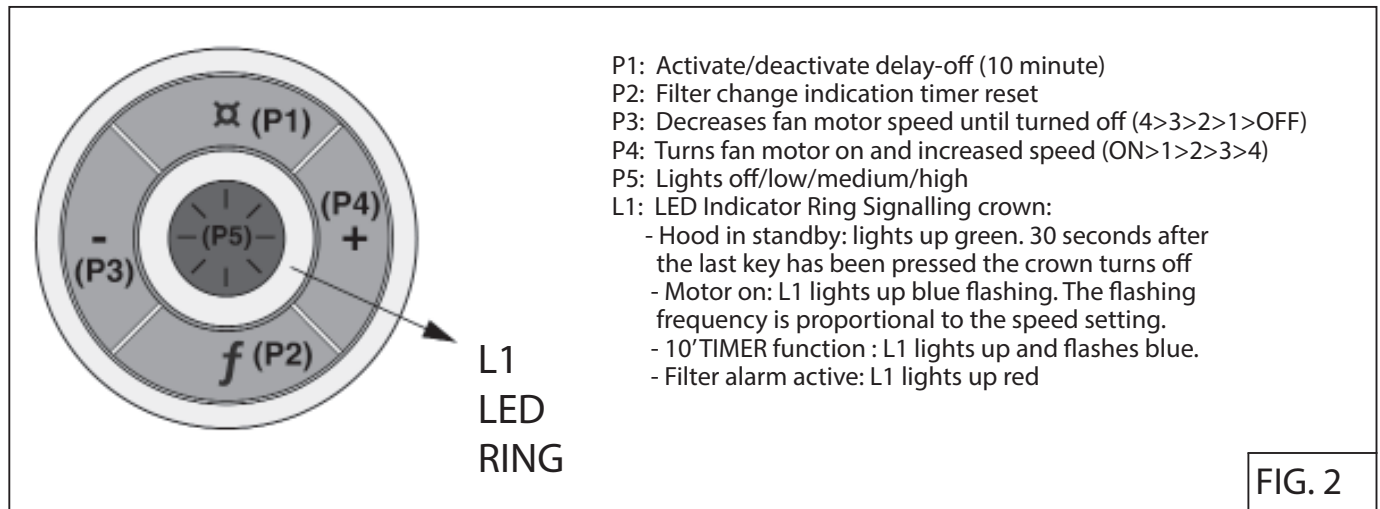


OPERATION

Controls (Fig.2)

The hood is operated using the (5) push buttons located on the hood and the remote control.

LED colors are displayed on hood control only.



(P1) Delay- Off Switch

- Your hood includes a 10 minute blower delay off switch. Press this switch once to activate the timer and the LED Ring (L1) flashes blue. The blower will continue to operate for 10 minutes. After 10 minutes, the blower turns off automatically.
- To cancel the 10-minute delay, press the delay switch once again.

(P2) Filter Alarm Switch

- After 30 hours of blower operation, the filter alarm is activated and the LED ring (L1) turns red/flashes. It indicates that the grease filters need to be cleaned.
- After cleaning the grease filters, reset the hour counter by pressing the Filter Alarm/Timer Reset button (P2) during display of the alarm.

(P3) Blower Speed Decrease and Off Switch

- Press to decrease blower speed, high to low. The LED ring (L1) flashes blue at a speed proportionate to the blower setting (i.e.: four flashes is high speed, one flash is low speed, etc.)
- Continue pressing this switch to turn the blower off.

(P4) Blower Speed Increase and On Switch

- Press this switch to turn the blower on to low speed.
- Press again to increase blower speed, low to high. The LED ring (L1) flashes blue at a speed proportionate to the blower setting (i.e.: four flashes is high speed, one flash is low speed, etc.)






(P5) Light Switch

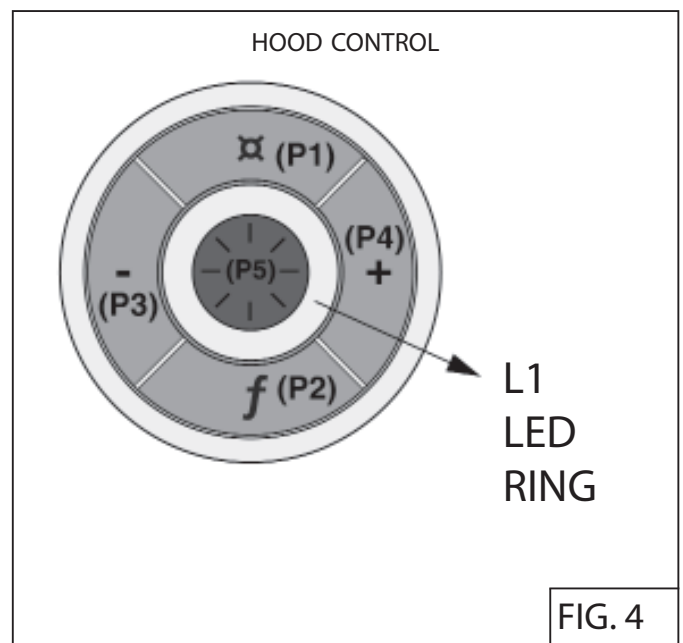
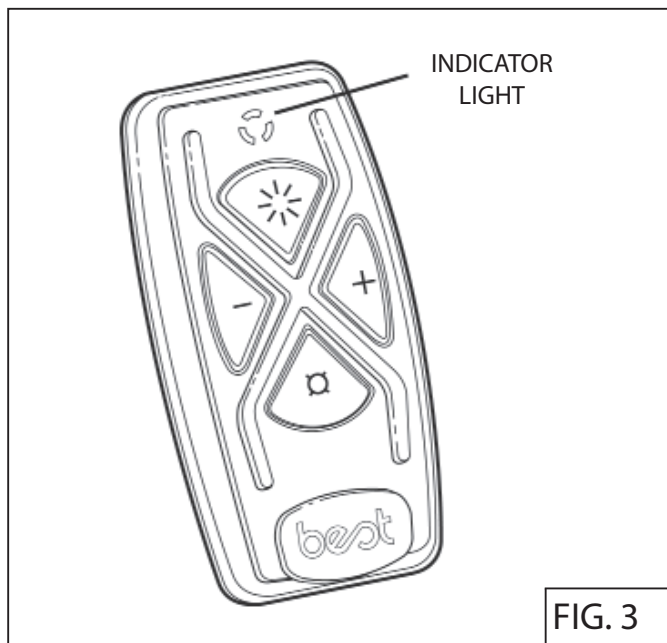
Lights off/low/medium/high.

REMOTE CONTROL





The remote control is linked to the hood at the factory.
If, for some reason, the link is lost - follow the directions below:

To Link Remote Control to Hood



1. Turn off hood motor and hood lights.
2. Press  and  buttons on the remote simultaneously for 5 seconds, until the remote control Indicator Light turns on (Fig.3). Release  and  buttons. Press and release  button to confirm the linking. At this point the remote control Indicator Light starts flashing to confirm the link is active.
3. Within 3 seconds - press *f* (P2) on the hood control (Fig. 4). The LED ring will light up for approximately 10 seconds to confirm that the linking process was successful.




Remote Control Functions (Fig.3)

-  Delay - Off
-  Blower Speed Decrease and Off
-  Blower Speed Increase and On
-  Light

See "Controls" section on previous page for more information on each function.

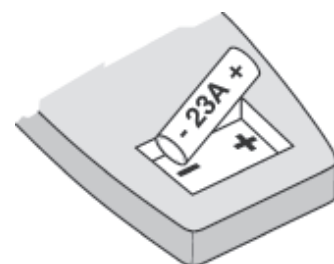
Press  (Delay) and  (Light) together to Reset Filter Alarm.

IMPORTANT: holding  (Delay) for more than 3 seconds will cause the link between the remote and hood to be lost.

CAUTION RISK OF EXPLOSION IF BATTERY IS REPLACED BY AN INCORRECT TYPE. DISPOSE OF USED BATTERY TO THE INSTRUCTION.

Battery disposal

When the batteries need to be replaced, dispose of them only and exclusively in the numerous readily available special waste bins, especially in shops selling electronic consumer goods. Observance of the regulations on differentiated waste collection, in particular, proper disposal of used batteries, contributes to preventing possible negative effects on the environment and health.



CLEANING AND MAINTENANCE

Proper maintenance of the Range Hood will assure proper performance of the unit.

Grease Filter

The grease filters should be cleaned frequently. Use a warm detergent solution. Grease filter are dishwasher safe.

Clean all-metal filters in the dishwasher using a non-phosphate detergent. Discoloration of the filter may occur if using phosphate detergents, or as a result of local water conditions - but this will not affect filter performance. This discoloration is not covered by the warranty. See "INSTALL FILTERS" section for removal and installation instructions.

Stainless Steel Cleaning

DO:

- Regularly wash with clean cloth or rag soaked with warm water and mild soap or liquid dish detergent.
- Always clean in the direction of original polish lines.
- Always rinse well with clear water (2 or 3 times) after cleaning. Wipe dry completely.
- You may also use a specialized household stainless steel cleaner.

DON'T:

- Use any steel or stainless steel wool or any other scrapers to remove stubborn dirt.
- Use any harsh or abrasive cleansers.
- Allow dirt to accumulate.
- Let plaster dust or any other construction residues reach the hood. During construction/renovation, cover the range hood to make sure no dust sticks to the stainless steel surface.

Avoid: When choosing a detergent

- Any cleaners that contain bleach will attack stainless steel
- Any products containing: chloride, fluoride, iodide, bromide will deteriorate surfaces rapidly.
- Any combustible products used for cleaning such as acetone, alcohol, ether, benzol, etc., are highly explosive and should never be used close to a range.

PREPARE THE HOOD

Unpack hood and check contents.

You should receive:

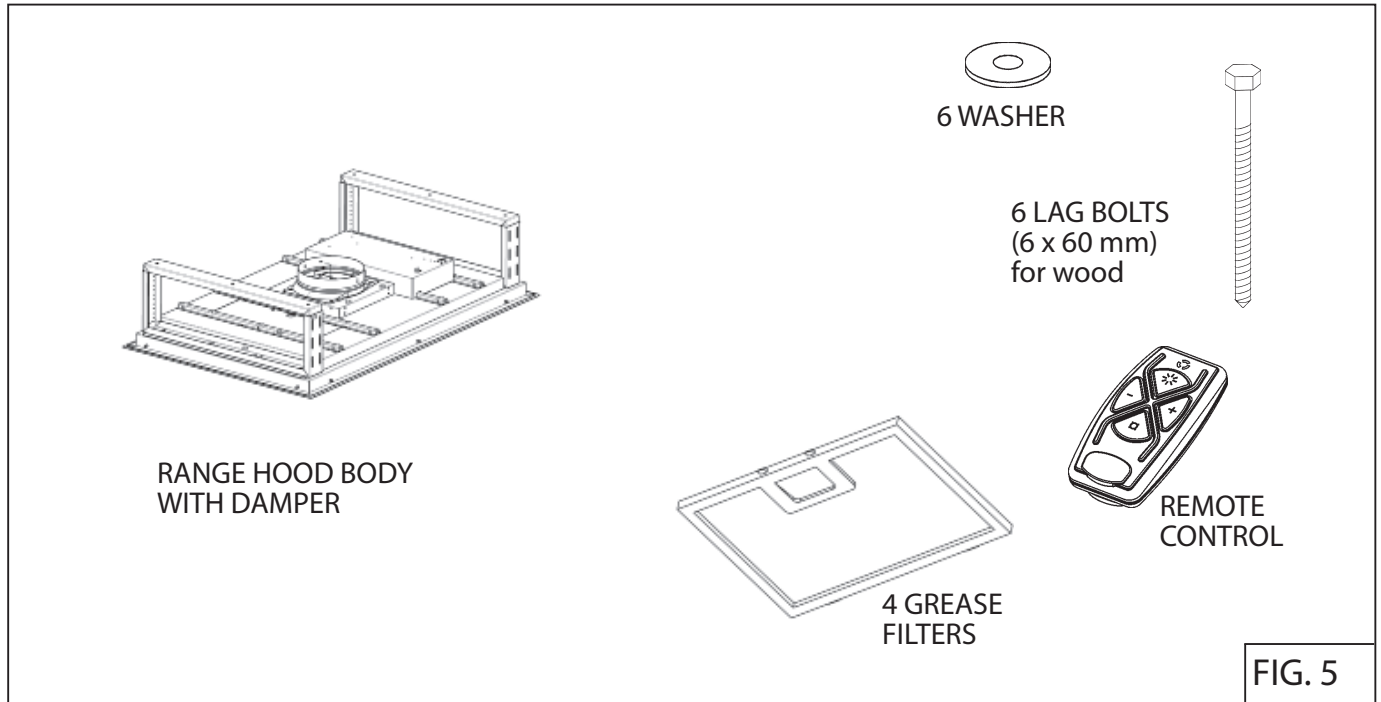
1 - Range Hood Body

1 - Remote Control

4 - Grease Filters

6 - Lag Bolts, 6 x 60 mm for wood

6 - Washer




The installer is responsible for selecting fasteners that are suitable for the building construction.

EXTERIOR OR IN-LINE BLOWER SELECTION

⚠ CAUTION: Either an exterior blower or an in-line blower may be used with this range hood. The Model CC3463ESB range hood must be installed only with Best Exterior Blower Models EB6, EB9, EB12, EB15 or Best In-Line Blower Models ILB3, ILB6, ILB9 or ILB11. Other blowers cannot be substituted. (Blowers sold separately.)

The blower must be cULus Listed for Canadian and U.S. use, and evaluated for use with a solid-state speed control, rated 120V, 60Hz, 3.0A max.

INSTALL THE DUCTWORK

 **WARNING:** To reduce the risk of fire, use only metal ductwork.

1. Choose the location of the hood, exterior or in-line blower and any roof or wall caps, and decide where the ductwork will run. See Fig. 6 and exterior or in-line blower instructions for suggestions.

2. A straight, short duct run will allow

the hood to perform most efficiently. Long duct runs, elbows, and transitions will reduce the performance of the hood. Use as few of them as possible. Larger ducting may be required for best performance with longer duct runs.

3. Install an exterior or in-line blower.

4. Connect metal ductwork to exterior or in-line blower and work back towards hood location. Elbows and transitions may be necessary. See exterior or in-line blower instructions for further information. Use duct tape to seal the joints between ductwork sections.

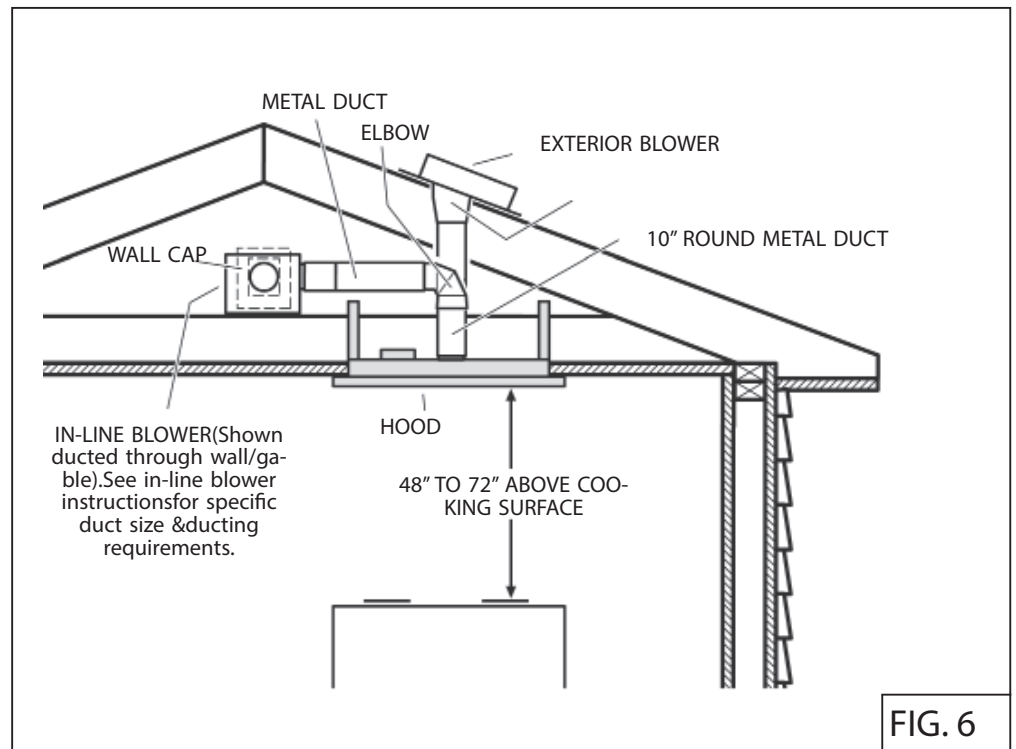


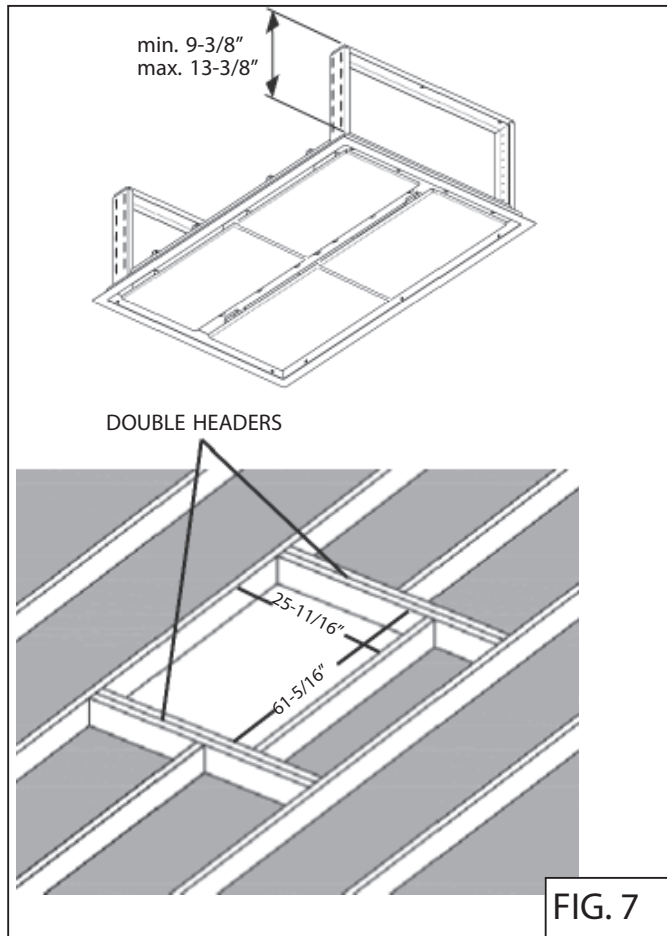
FIG. 6

PREPARE THE CEILING OPENING

The hood should always be centered over the cooktop. Make sure there is adequate space in the ceiling structure to install the hood and ductwork. The hood should be mounted 48" to 72" above the cook top for best removal of cooking impurities. Fig 6.

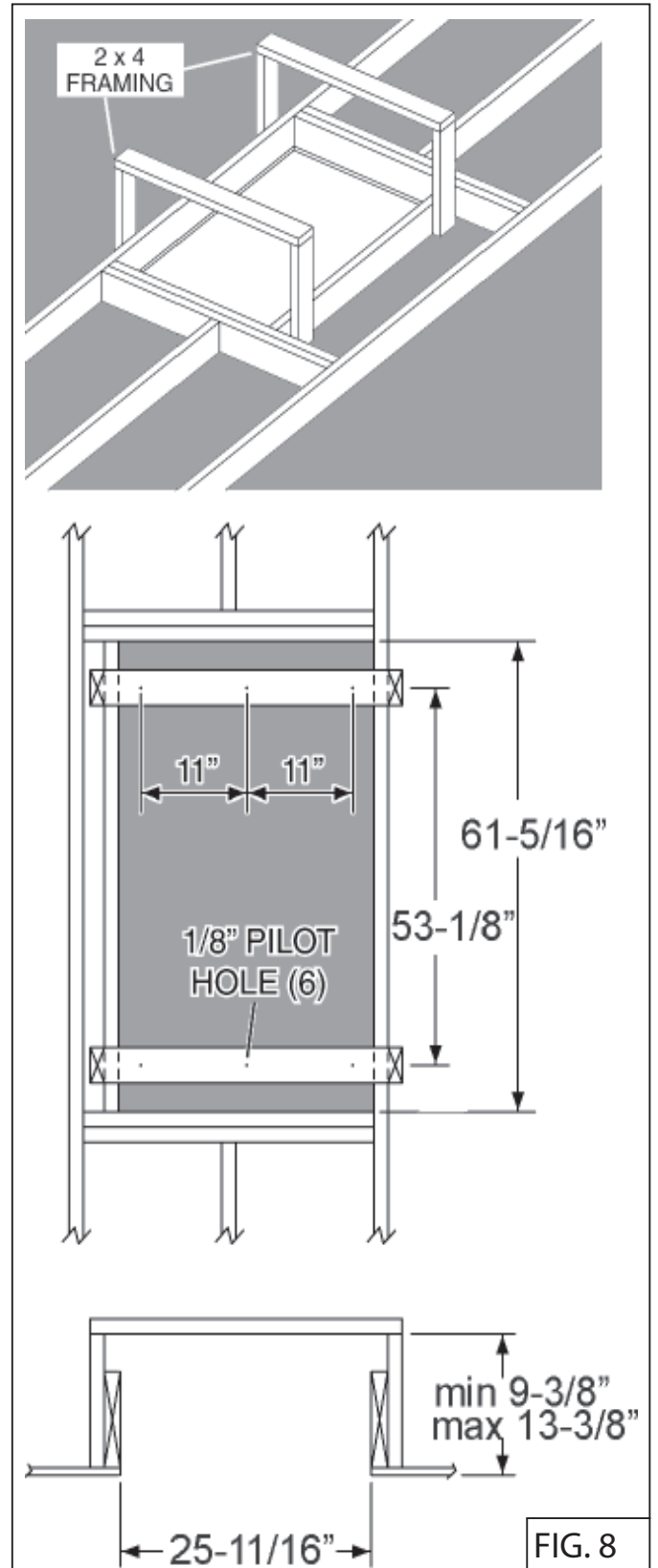
Use joist size lumber to frame in around the range hood opening.

The ceiling structure must be able to support the weight of the hood (88 pounds).



PREPARE THE HOOD SUPPORT

1. Construct a wood framing system as shown in Fig. 8.
2. The structure must be capable of supporting its own weight, plus the weight of the hood.



INSTALL THE HOOD

⚠ CAUTION: Multiple installers are recommended because of the large size and weight of this range hood.

1. Adjust height of the telescoping support frame and secure with screws and washers. Fig.9.

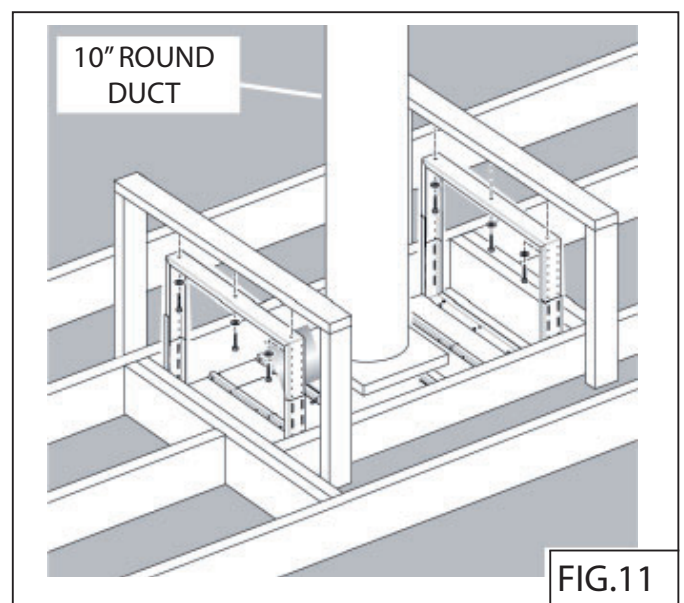
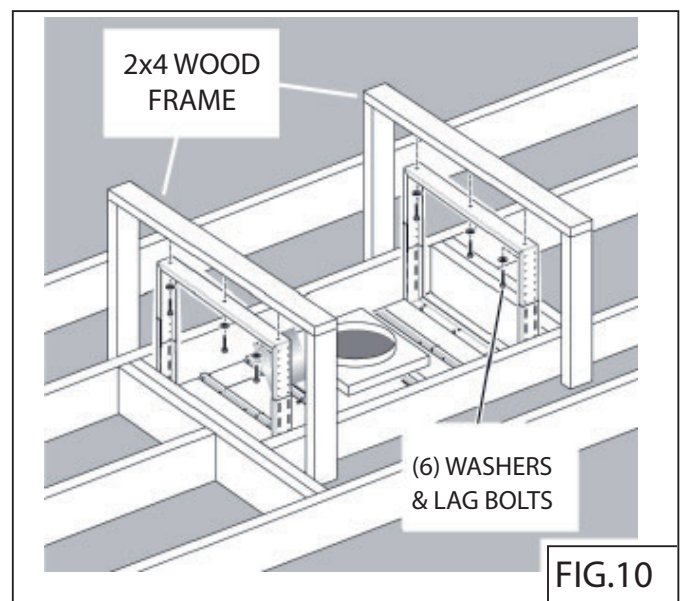
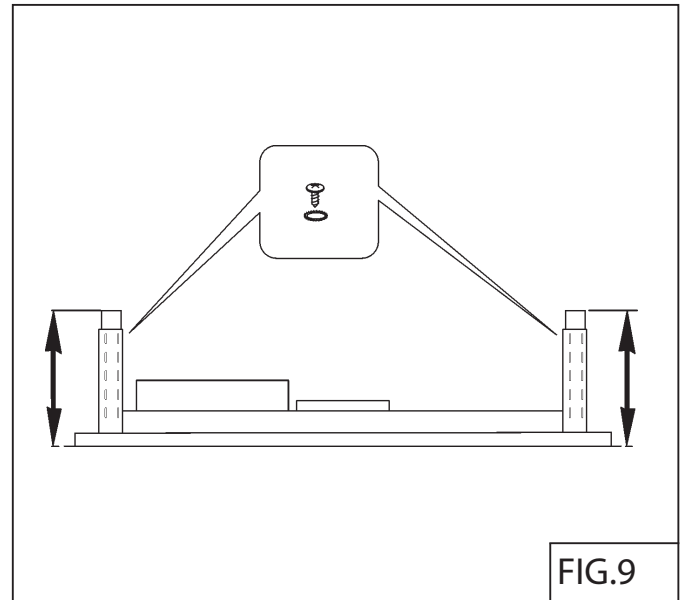
⚠ CAUTION: Adjust the height before installation.

2. Lift range hood into the ceiling opening.

3. Secure each support frame to the wooden hood support frame using (6) 6 x 60 mm lag bolts and washers provided. Fig. 10.

4. Install exterior or in-line blower by following instructions provided with blower. Fig.11

5. Install ductwork and duct tape all joints to ensure an air tight seal.



CONNECT THE WIRING

⚡ ⚠️ WARNING: All electrical wiring should be done by a qualified person (s) in accordance with all applicable codes and standards. This range hood must be properly grounded.

Remove electrical compartment cover by removing (2) screws (Fig.12).

BLOWER CONNECTION AT THE HOOD

1. Run 2-wire plus ground power cable to a $\frac{3}{4}$ " knockout located on the back of the hood. Fig. 13.
2. Remove a $\frac{3}{4}$ " electrical knockout from the back of the hood.
3. From the electrical box marked "MOTOR CONNECTION", remove (2) screws that secure the cover to the metal wiring box. Fig. 14.
4. Pull 6" of cable into the box and secure with an appropriate cable clamp.
5. Make electrical connections inside the "MOTOR CONNECTION" box. Connect red-to-white, black-to-black and green-to-ground.
6. Replace the wiring box cover and the screws. Make sure wires are not pinched between the cover and box.

CONNECTIONS AT EXTERIOR OR IN-LINE BLOWER

1. Make electrical connections at the exterior or in-line blower (see blower instructions).

POWER CONNECTION AT THE HOOD

1. Run 2-wire plus ground, 120 VAC electrical power cable to a $\frac{3}{4}$ " knockout located on the back of the hood. Fig. 13.
2. Remove a $\frac{3}{4}$ " electrical knockout from the back of the hood.
3. From the electrical box marked "120VAC INPUT", remove (2) screws that secure the cover to the metal wiring box. Fig. 14.
4. Pull 6" of cable into the box and secure with an appropriate cable clamp.
5. Make electrical connections inside the "120VAC INPUT" box. Connect white-to-white, black-to-black and green-to-ground.
6. Replace the wiring box cover and the screws. Make sure wires are not pinched between the cover and box.

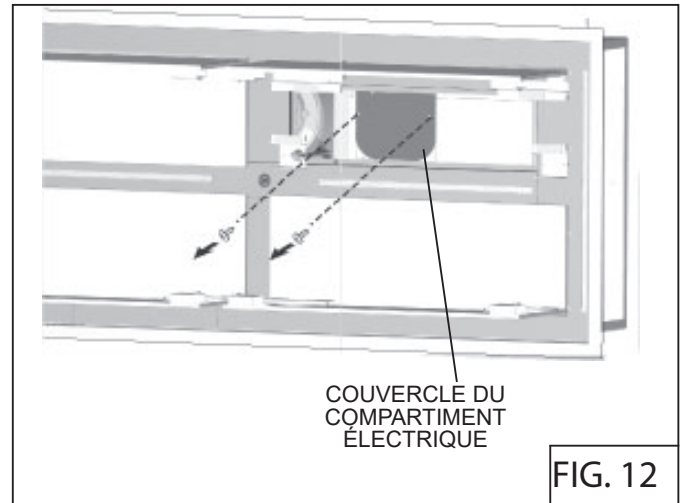


FIG. 12

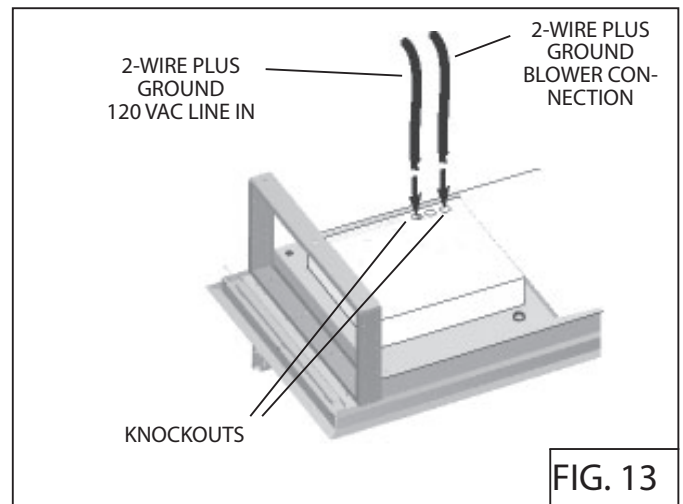


FIG. 13

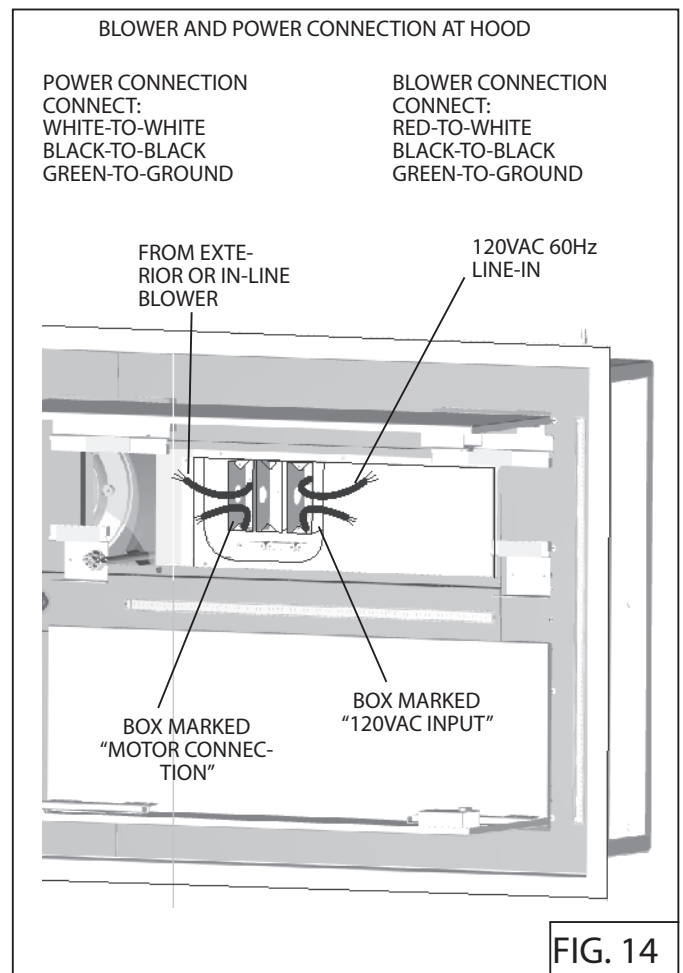


FIG. 14

MAKE-UP AIR DAMPER

CAUTION: The hood is compatible only with Broan Make-Up Air Damper Model MD10T.

Purchase separately. Make the connection to the Make-Up Air Damper with low voltage wiring, as shown. See Make-Up Air Damper instructions for additional information (Fig.15)

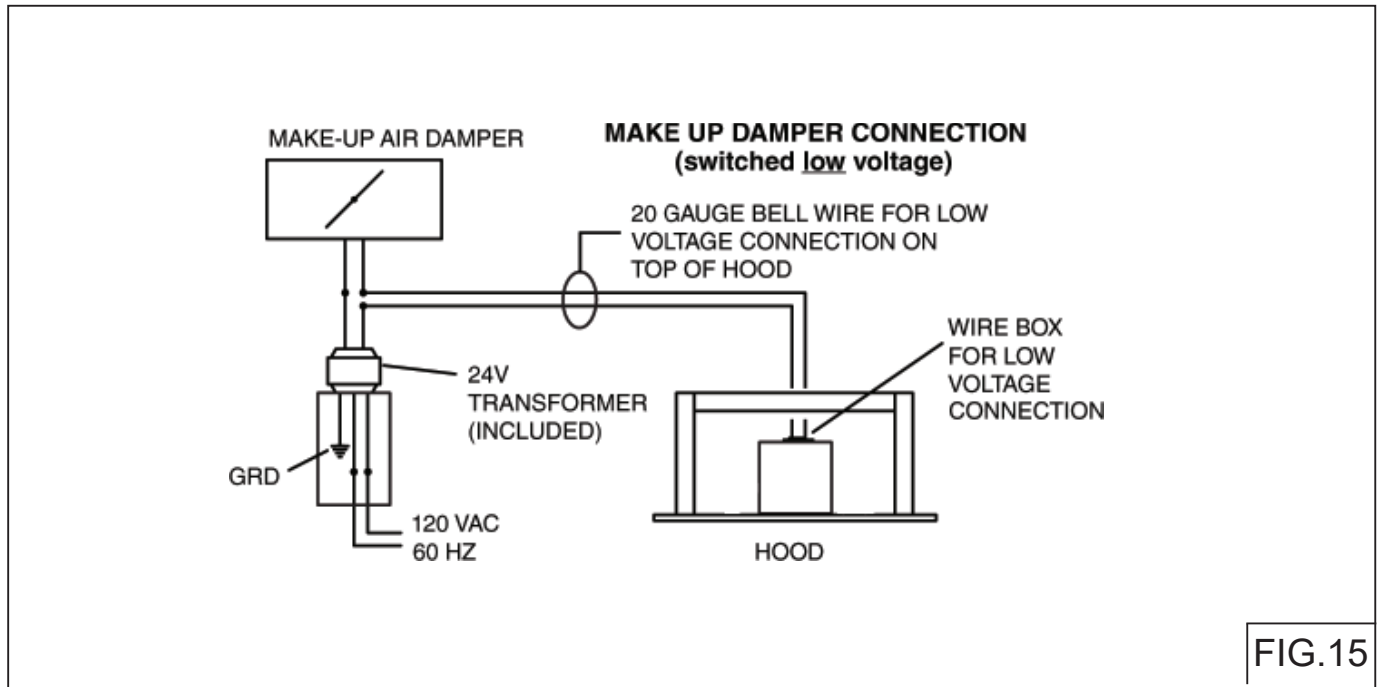


FIG.15

INSTALL THE FILTERS

1. To install the grease filters, align rear filter tabs with slots in the hood. Push latch tab in, push filter into position and release. Make sure filter is securely engaged after installation. Fig. 16.
2. To remove the filters for cleaning, push latch tab in to disengage filter from hood. Tilt the filter downward and remove.

NOTE: Remove protective film from filters and steel surfaces before using cooking under range hood.

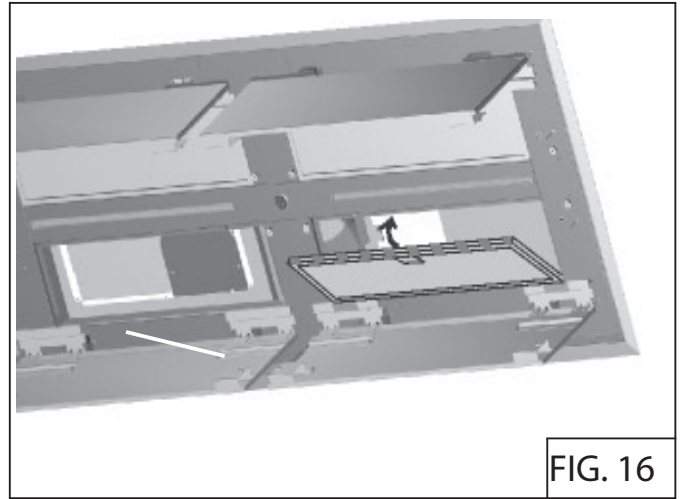


FIG. 16

PROGRAMMING MODE PROCEDURE

The range hood is designed to work with several different blower models. Before using, the control must first be programmed to your blower model, in order to achieve proper operating speeds.

From the chart below:

1. Find the SETUP number that corresponds to the blower model that is installed with your range hood.
2. The control is factory-preset to SETUP 3. If your blower model is listed under SETUP 3, no programming is required. The range hood is ready to use.

3. For blower models listed under SETUP 1 or 2 follow this program sequence:

A - Power at the service box must be ON while programming. The blower and lights must be turned off.

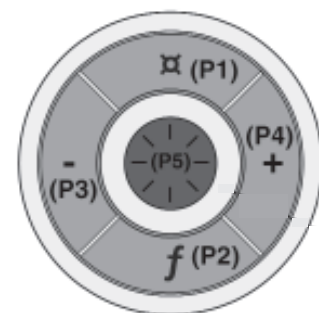
B - Press P2 for 3 seconds. The L1 LED ring will flash at 3 different rates of speed: slow flashing speed = SETUP 1; medium flashing speed = SETUP 2; fastest flashing speed = SETUP 3 (the factory-preset default).

C - To select the proper SETUP, press P3 (-) or P4 (+) to change to SETUP 1, 2 or 3.

D - Once the proper SETUP is found, press P2 (f) to memorize the SETUP setting.

E - The range hood is now ready to use.

	SETUP 1	SETUP 2	SETUP 3(default)
BLOWER MODEL NUMBER	EB6 ILB3 ILB6	EB12 EB15 ILB9	EB9 ILB11



Limited Warranty

Warranty Period and Exclusions: Broan-NuTone, LLC (the "Company") warrants to the consumer purchaser of its product ("you") that the product (the "Product") will be free from material defects in the materials or its workmanship for a period of five (5) years from the date of original purchase (or such longer period as may be required by applicable law) or a period of two (2) years from the date of service for any labor provided on the Product.

The limited warranty period for any replacement parts provided by the Company and for any Products repaired or replaced under this limited warranty shall be the remainder of the original warranty period (or such longer period as may be required by applicable law).

THIS WARRANTY DOES NOT EXTEND TO FLUORESCENT LAMP STARTERS, TUBES AND BULBS, FUSES, FILTERS, DUCTS, ROOF CAPS, WALL CAPS AND OTHER ACCESSORIES FOR DUCTING. This warranty does not cover (a) normal maintenance and service, (b) normal wear and tear, (c) any Products or parts which have been subject to misuse, abuse, abnormal usage, negligence, accident, improper or insufficient maintenance, storage or repair (other than repair by the Company), (d) damage caused by faulty installation, or installation or use contrary to recommendations or instructions, (f) damage caused by exposure to salt air, (g) damage in transit, (h) natural wear of finish, (i) Products in commercial or nonresidential use, (j) damage caused by fire, flood or other act of God, or (k) Products with altered, defaced or removed serial numbers. This warranty covers only Products sold to consumers in North America.

This warranty supersedes all prior warranties and, subject to applicable law, is not transferable from the original consumer purchaser.

No Other Warranties: This Limited Warranty contains the Company's sole obligation and your sole remedy for defective Products. The foregoing warranties are exclusive and in lieu of any other warranties and conditions, express or implied. **TO THE MAXIMUM EXTENT PERMITTED BY APPLICABLE LAW, THE COMPANY DISCLAIMS AND EXCLUDES ALL OTHER EXPRESS WARRANTIES AND CONDITIONS, AND DISCLAIMS AND EXCLUDES ALL WARRANTIES AND CONDITIONS IMPLIED BY LAW, INCLUDING WITHOUT LIMITATION THOSE OF MERCHANTABILITY AND FITNESS FOR A PARTICULAR PURPOSE.** To the extent that applicable law prohibits the exclusion of implied warranties or conditions, the duration of any applicable implied warranty or condition is limited to the period specified for the express warranty above. Some jurisdictions (which may include the Province of Quebec or specific US states) do not allow limitations on how long an implied warranty lasts, so the above limitation may not apply to you. Any oral or written description of the Product is for the sole purpose of identifying it and shall not be construed as an express warranty.

Whenever possible, each provision of this Limited Warranty shall be interpreted in such manner as to be effective and valid under applicable law, but if any provision is held to be prohibited or invalid, such provision shall be ineffective only to the extent of such prohibition or invalidity, without invalidating the remainder of such provision or the other remaining provisions of the Limited Warranty.

Remedy: During the applicable limited warranty period, the Company will, at its option, provide replacement parts for, or repair or replace, without charge, any Product or part thereof, to the extent the Company finds it to be covered by and in breach of this limited warranty under normal use and service. The Company will ship the repaired or replaced Product or replacement parts to you at no charge. You are responsible for all costs for removal, reinstallation and shipping, insurance or other freight charges incurred in the shipment of the Product or part to the Company. If you must send the Product or part to the Company, as instructed by the Company, you must properly pack the Product or part—the Company is not responsible for damage in transit. The Company reserves the right to utilize reconditioned, refurbished, repaired or remanufactured Products or parts in the warranty repair or replacement process. Such Products and parts will be comparable in function and performance to an original Product or part and warranted for the remainder of the original warranty period (or such longer period as may be required by applicable law).

Company reserves the right, in its sole discretion, to refund the money actually paid by you for the Product. If the Product or component is no longer available, replacement may be made with a similar product of equal or greater value, at Company's sole discretion. This is your sole and exclusive remedy for breach of this limited warranty.

Exclusion of Damages: THE COMPANY'S OBLIGATION TO PROVIDE REPLACEMENT PARTS, OR REPAIR OR REPLACE, AT THE COMPANY'S OPTION, SHALL BE YOUR SOLE AND EXCLUSIVE REMEDY UNDER THIS LIMITED WARRANTY AND THE COMPANY'S SOLE AND EXCLUSIVE OBLIGATION. THE COMPANY SHALL NOT BE LIABLE FOR INCIDENTAL, INDIRECT, CONSEQUENTIAL OR SPECIAL DAMAGES ARISING OUT OF OR IN CONNECTION WITH THE PRODUCT, ITS USE OR PERFORMANCE.

Some jurisdictions do not allow the exclusion or limitation of incidental or consequential damages, so the above limitation or exclusion may not apply to you. This warranty gives you specific legal rights, and you may also have other rights, which vary from jurisdiction to jurisdiction. The disclaimers, exclusions, and limitations of liability under this warranty will not apply to the extent prohibited by applicable law.

This warranty covers only replacement or repair of defective Products or parts thereof at the Company's main facility and does not include the cost of field service travel and living expenses.

Any assistance the Company provides to or procures for you outside the terms, limitations or exclusions of this limited warranty will not constitute a waiver of such terms, limitations or exclusions, nor will such assistance extend or revive the warranty.

The Company will not reimburse you for any expenses incurred by you in repairing or replacing any defective Product, except for those incurred with the Company's prior written permission.

How to Obtain Warranty Service: To qualify for warranty service, you must (a) notify the Company at the address or telephone number stated below within seven (7) days of discovering the covered defect, (b) give the model number and part identification and (c) describe the nature of any defect in the Product or part. At the time of requesting warranty service, you must present evidence of the original purchase date. If you cannot provide a copy of the original written limited warranty, then the terms of the Company's most current written limited warranty for your particular product will control.

PRODUCT SPECIFICATIONS

All illustrations and specifications in this catalog are based on the latest product information available at time of production. Broan-NuTone, LLC and BEST® reserves the right to make changes at any time, without notice, in prices, colors, materials, equipment, specifications and models, place of manufacture and to discontinue models or equipment.

Best

Broan-NuTone, LLC- 926 W. State Street, Hartford, WI 53207

1-800-637-1453

Best®, 550 Lemire Blvd., Drummondville, QC, Canada (1-866-737-7770) www.bestrangehoods.com

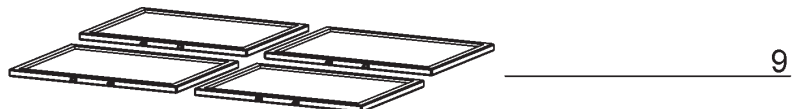
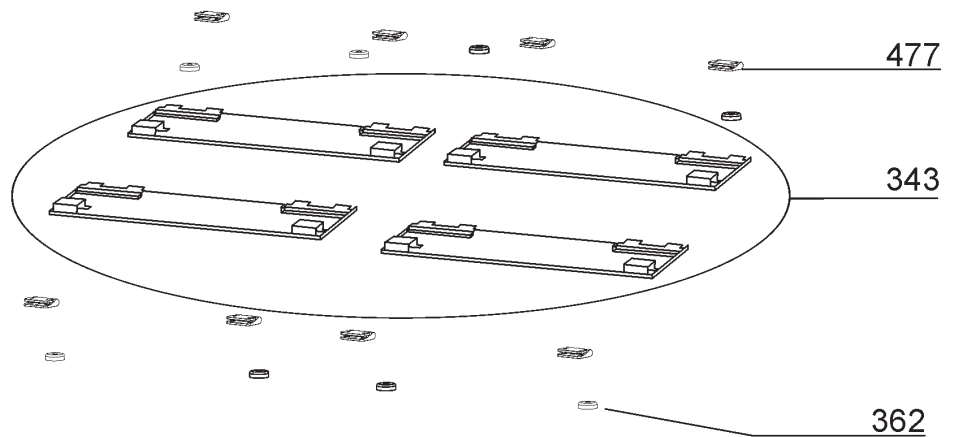
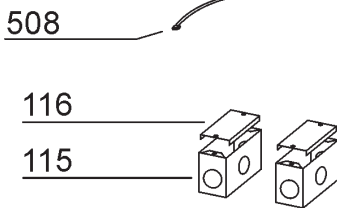
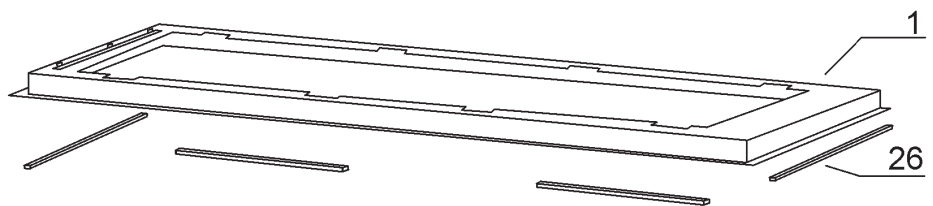
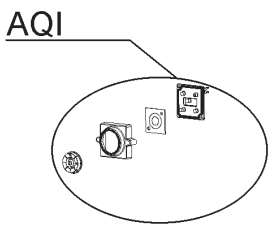
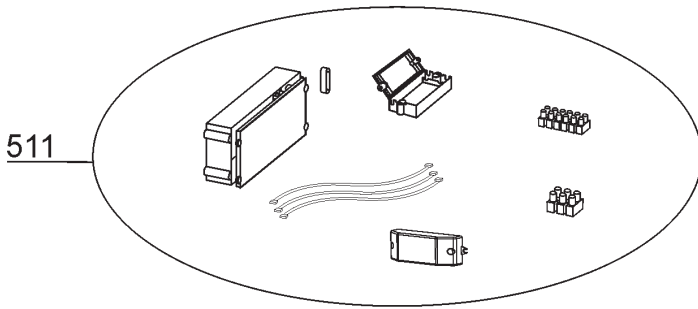
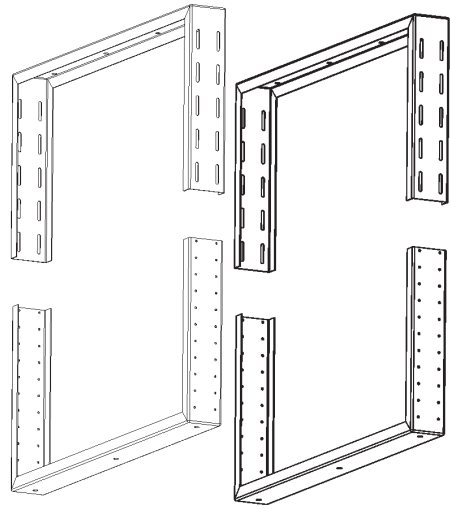
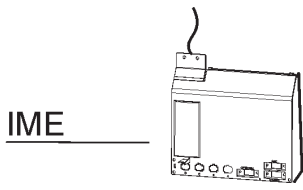
SERVICE PARTS

MODEL CC34E63SB

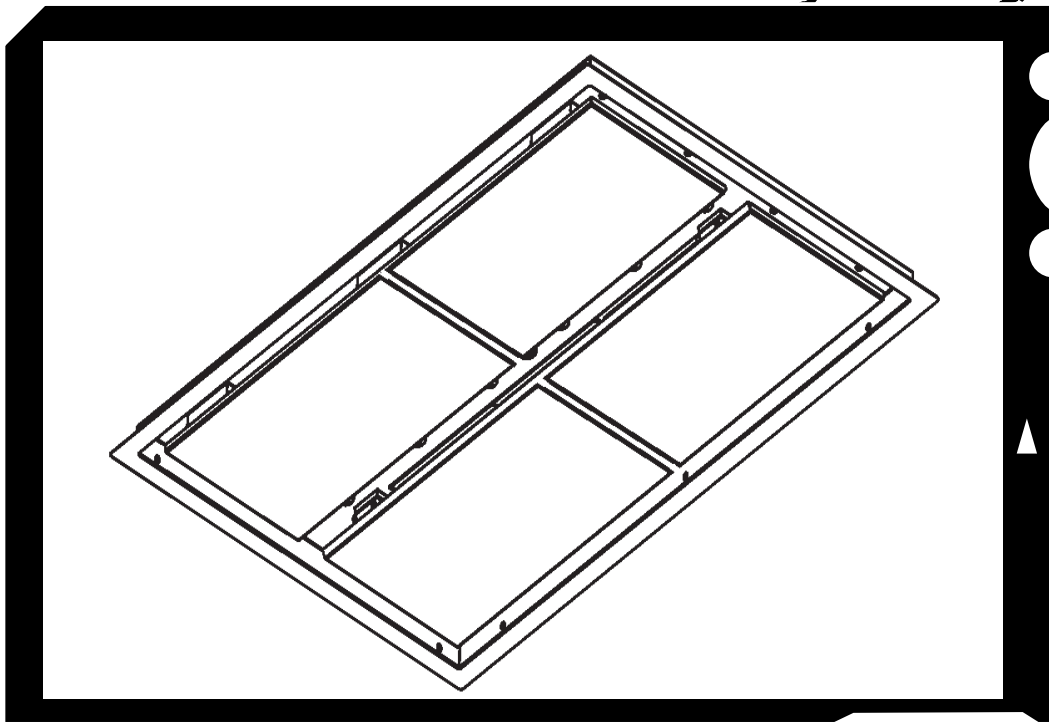
KEY NO.	PART NO.	DESCRIPTION
1	B003103711	FRAME
9	B08087836	GREASE FILTER
26	B023004301	LIGHT BAR
115	BE3350233	ELECTRICAL BOX
116	BE3334252	ELECTRICAL BOX COVER
343	B08094449	ELECTRICAL COMPARTMENTE COVER
362	B02011422	MAGNET
477	B02011376	HINGE
508	B02301083	CONTROL CABLE
511	B06102809	DRIVER ASSEMBLY
998	B080810962	HARDWARE
999	B080814338	INSTALLATION INSTRUCTIONS
IME	B06102808	ELECTRICAL INSTALLATION ASSEMBLY
AQI	B06102813	SWITCH ASSEMBLY
ARU	BE3405192	DAMPER ASSEMBLY
ACR3	B08999186	REMOTE CONTROL

SERVICE PARTS

MODEL CC34E63SB



best®



Modèle CC34E63SB

ENGLISH.....	3
FRANÇAIS.....	20
ESPAÑOL.....	39

Aux États-Unis - BEST Hartford, Wisconsin
Au CANADA - BEST Drummondville, QC, Canada

ENREGISTREZ VOTRE PRODUIT EN LIGNE À : www.BestRangeHoods.com/register
Pour de plus amples informations, visitez www.BestRangeHoods.com

LIRE CES DIRECTIVES ET LES CONSERVER



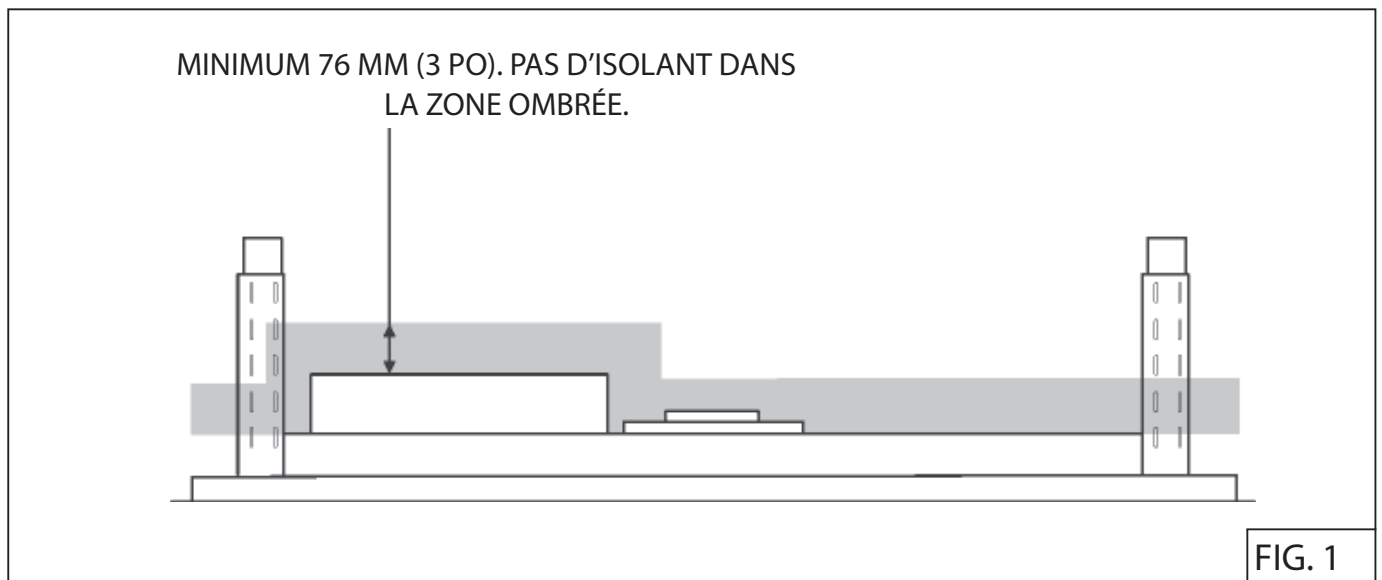
POUR USAGE DOMESTIQUE SEULEMENT



AVERTISSEMENTS

POUR RÉDUIRE LES RISQUES D'INCENDIE, D'ÉLECTROCUTION OU DE BLESSURES PHYSIQUES, RESPECTEZ LES INSTRUCTIONS CI-DESSOUS:

1. Utilisez cet appareil uniquement de la manière prévue par le fabricant. Si vous avez des questions, contactez le fabricant à l'adresse ou au numéro de téléphone indiqués dans la garantie.
2. Avant d'effectuer l'entretien ou le nettoyage de l'appareil, coupez le courant au panneau d'alimentation et verrouillez ce dernier pour éviter que l'appareil soit mis sous tension par inadvertance. S'il n'est pas possible de verrouiller le dispositif de déconnexion, apposez un avertissement bien visible (par exemple une étiquette) sur le panneau d'alimentation.
3. L'installation et le raccordement électrique doivent être effectués par du personnel qualifié conformément à toutes les réglementations et normes en vigueur, y compris les normes et codes de bâtiment en matière de prévention d'incendie.
4. Afin d'éviter les retours de cheminée lors de l'utilisation d'appareils à combustion, une circulation d'air suffisante est nécessaire pour assurer une combustion et une évacuation adéquates des gaz à travers le conduit (la cheminée). Conformez-vous aux instructions et aux standards de sécurité des fabricants d'appareils de chauffage, tels qu'ils sont publiés par la National Fire Protection Association (NFPA) et l'American Society for Heating, Refrigeration and Air Conditioning Engineers (ASHRAE), ainsi que les réglementations locales.
5. Quand vous effectuez une découpe ou une perforation dans un mur ou un plafond, veillez à ne pas endommager des fils électriques ou d'autres équipements non visibles.
6. Les ventilateurs avec conduits doivent toujours évacuer l'air vers l'extérieur.
7. N'utilisez pas cet appareil avec une commande de vitesse à semi-conducteur additionnelle.
8. Pour réduire les risques d'incendie, utilisez uniquement des conduits en métal.
9. Cet appareil doit être mis à la terre.
10. Type d'installation non-IC : L'isolant thermique de la maison ne doit pas couvrir le haut de la hotte et doit être à au moins 76 mm (3 po) du boîtier de tout côté. (Fig. 1)



AFIN DE RÉDUIRE LE RISQUE DE FEU DE CUISINIÈRE

- A. Ne laissez jamais les appareils de cuisson sans surveillance lorsqu'ils sont réglés à feu vif. Les débordements peuvent causer de la fumée et occasionner des écoulements de graisse inflammables. L'huile doit être chauffée lentement, à feu doux ou moyen.
- B. Mettez toujours la hotte en MARCHE lors de la cuisson à feu vif ou lors de la cuisson d'aliments à flamber (par ex., crêpes Suzette, cerises jubilé, steak au poivre flambé).
- C. Nettoyez souvent les ventilateurs. Ne laissez pas la graisse s'accumuler sur le ventilateur ou les filtres.
- D. Utilisez des casseroles de dimension appropriée. Utilisez toujours des casseroles et des ustensiles adaptés à la dimension de la surface de cuisson.

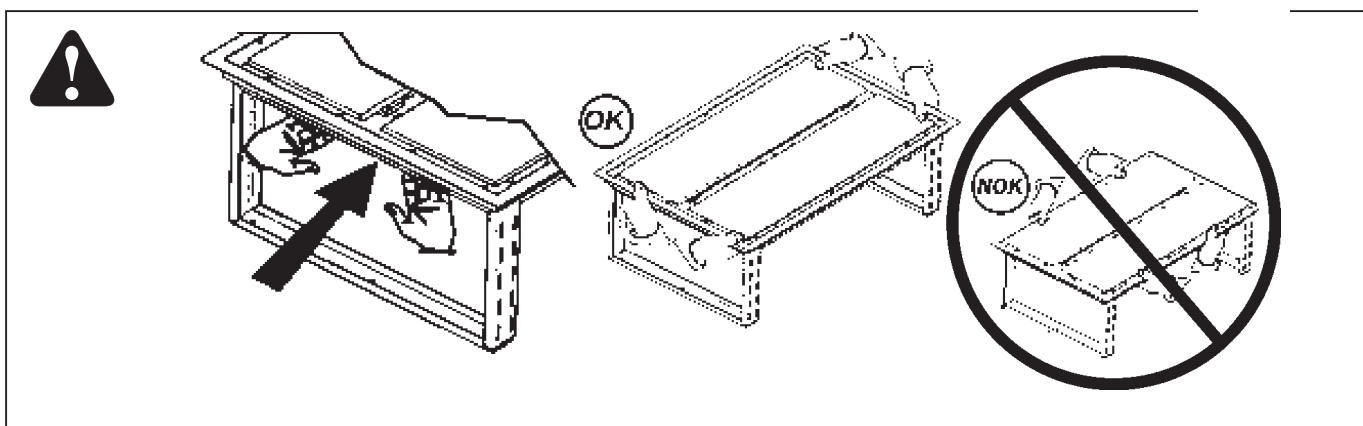
OBSERVEZ LES CONSIGNES SUIVANTES DE MANIÈRE À RÉDUIRE LES RISQUES DE BLESSURES CORPORELLES EN CAS D'UN FEU DE CUISINIÈRE CAUSÉ PAR DE LA GRAISSE SUR LA SURFACE DE CUISSON* :

1. ÉTOUFFEZ LES FLAMMES à l'aide d'un couvercle hermétique, d'une tôle à biscuits ou d'un plateau en métal puis éteignez le brûleur. FAITES ATTENTION DE NE PAS VOUS BRÛLER. Si les flammes ne s'éteignent pas immédiatement, QUITTEZ LES LIEUX ET APPELEZ LE SERVICE DES INCENDIES.
2. NE SOULEVEZ JAMAIS UNE CASSEROLE EN FLAMMES - vous pourriez vous brûler.
3. N'UTILISEZ PAS D'EAU, ni de serviettes ou de linges mouillés – une violente explosion de vapeur pourrait survenir.
4. Utilisez un extincteur SEULEMENT si :
 - A. Vous savez qu'il est de classe ABC et vous connaissez déjà son mode de fonctionnement.
 - B. Le feu n'est pas très important et ne se propage pas.
 - C. Les pompiers ont été avisés.
 - D. Vous pouvez combattre le feu en faisant dos à une sortie.* Conseils tirés de la publication de la NFPA « Kitchen Fire Safety Tips ».

ATTENTION

1. Pour usage intérieur seulement.
2. Pour réduire les risques d'incendie et évacuer l'air correctement, assurez-vous d'évacuer l'air à l'extérieur. N'évacuez pas l'air dans des espaces clos comme l'intérieur des murs ou un plafond, dans le grenier, un faux-plafond ou un garage.
3. Faites attention lorsque vous utilisez des agents nettoyants ou des détergents.
4. Évitez d'utiliser des produits alimentaires pouvant produire des flammes sous la hotte.
5. Pour ventilation générale uniquement. N'utilisez pas cet appareil pour évacuer des matières ou des vapeurs dangereuses ou explosives.
6. Afin d'éviter tout dommage au moteur et de débalancer ou de rendre bruyante la roue du moteur, garder l'appareil à l'abri de la poussière de plâtre, de construction, etc.
7. Le moteur de la hotte est muni d'un dispositif de protection thermique qui coupe automatiquement le moteur en cas de surchauffe. Il se remet en marche lorsqu'il a refroidi. Faites réparer la hotte si le moteur continue à fonctionner par intermittence.
8. Pour mieux capter les vapeurs de cuisson, le bas de la hotte doit être au minimum à 121,9 cm (48 po) et au maximum à 183 cm (72 po) de la surface de cuisson. Pour les restrictions s'appliquant au montage, voir la section « Installation de la bride de montage ».
9. Il est recommandé d'avoir plus d'installateurs, compte tenu de la taille et du poids de cette hotte.
10. Veuillez lire l'étiquette de spécifications du produit pour obtenir plus de renseignements, notamment sur les exigences.
11. Pour réduire les risques d'incendie ou de choc électrique, installez cette hotte uniquement avec les modèles de ventilateur extérieur Best EB6, EB9, EB12, EB15, ou les modèles de ventilateur intermédiaire Best ILB3, ILB6, ILB9 ou ILB11. Aucun autre ventilateur ne peut être substitué (ventilateur vendu séparément).
12. Cette hotte encastrable est munie d'un récepteur radio (télécommande optionnelle vendue séparément). Tous les changements ou modifications qui ne sont pas approuvés par la partie responsable de la conformité pourraient annuler la possibilité d'utiliser l'équipement. La télécommande a été testée et est en accord avec les limites de la Classe B appareil numérique et est conforme au chapitre 15 des règlements FCC et ICES-003 canadiens. Ces limites sont développées afin de fournir une protection raisonnable contre des interférences dommageables dans une installation résidentielle. La télécommande génère, utilise et peut émettre des flux de fréquences radio qui peuvent causer des interférences aux communications radio, si elle n'est pas installée selon les instructions. Cependant, il n'y a aucune garantie que ces interférences ne se produiront pas dans une installation particulière. Si cet équipement cause des interférences à un récepteur radio ou un téléviseur, cela peut être confirmé en éteignant et rallumant l'appareil, l'utilisateur est encouragé à corriger cette situation en essayant les solutions suivantes :

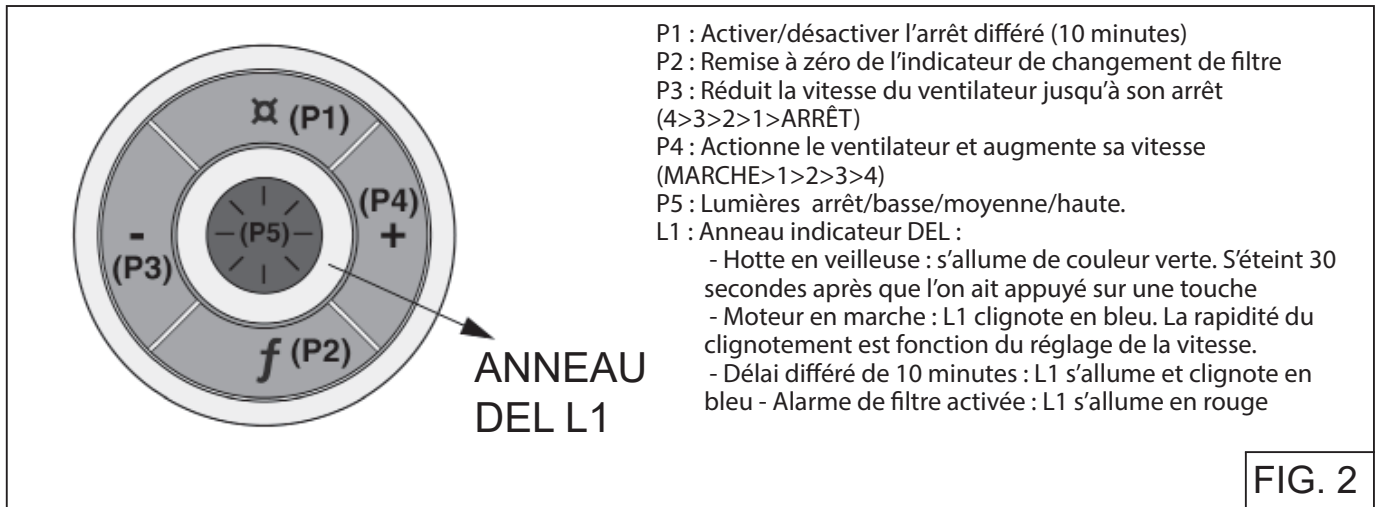
- Réorienter ou relocaliser l'antenne réceptrice
- Augmenter la distance entre l'équipement et le récepteur
- Connecter l'équipement à une autre prise électrique ou un autre disjoncteur différent de celui du récepteur



FONCTIONNEMENT

Commandes (Fig.2)

La hotte fonctionne à l'aide de cinq (5) boutons-poussoirs situés sur la hotte et avec la télécommande. Couleurs de DEL sont affichées sur le contrôle de la hotte uniquement.



(P1) Interrupteur d'arrêt différé

- Votre hotte comprend un interrupteur pour l'arrêt différé de 10 minutes. Appuyez une fois pour activer la minuterie d'arrêt différé et l'anneau DEL (L1) se met à clignoter en bleu. Le ventilateur continuera de fonctionner pendant 10 minutes. Après 10 minutes, le ventilateur s'arrête automatiquement.
- Pour annuler l'arrêt différé, appuyez de nouveau sur l'interrupteur.

(P2) Interrupteur d'alarme de filtre

- Après 30 heures de fonctionnement du ventilateur, l'alarme de filtre s'active et l'anneau DEL (L1) se met à clignoter en rouge. Cela indique que les filtres à graisses doivent être nettoyés.
- Une fois ceux-ci nettoyés, appuyez sur le bouton de remise à zéro de l'indicateur de changement de filtre (P2) pendant l'affichage de l'alarme.

(P3) Bouton de réduction de la vitesse du ventilateur et d'arrêt

- Appuyez pour réduire la vitesse du ventilateur. La vitesse de clignotement de l'anneau DEL (L1) en bleu est fonction du réglage choisi (par ex. : quatre clignotements correspondent au régime maximal, un clignotement au régime lent, etc.)
- Pour arrêter le ventilateur, continuez d'appuyer sur l'interrupteur.

(P4) Bouton de mise en marche et d'augmentation de la vitesse du ventilateur

- Appuyez une fois pour mettre le ventilateur en marche au régime le plus lent.
- Appuyez de nouveau pour augmenter le régime du ventilateur. La vitesse de clignotement de l'anneau DEL (L1) en bleu est fonction du réglage choisi (par ex. : quatre clignotements correspondent au régime maximal, un clignotement au régime lent, etc.)






(P5) Interrupteur d'éclairage

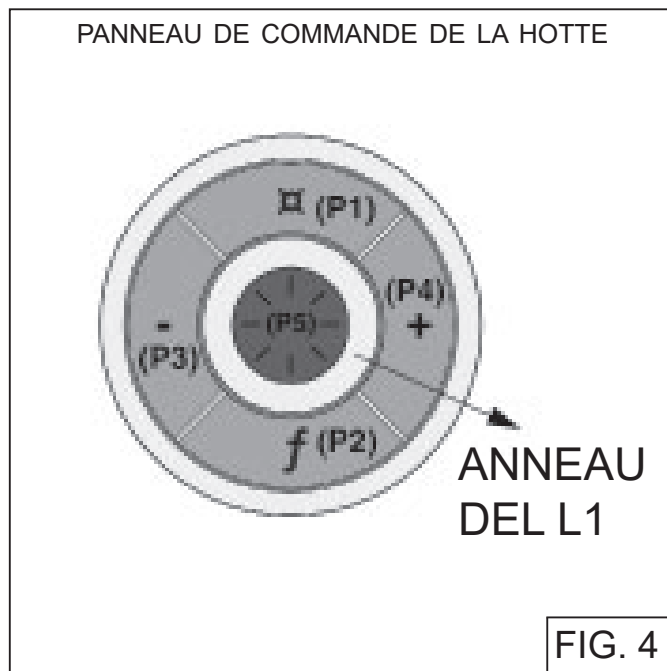
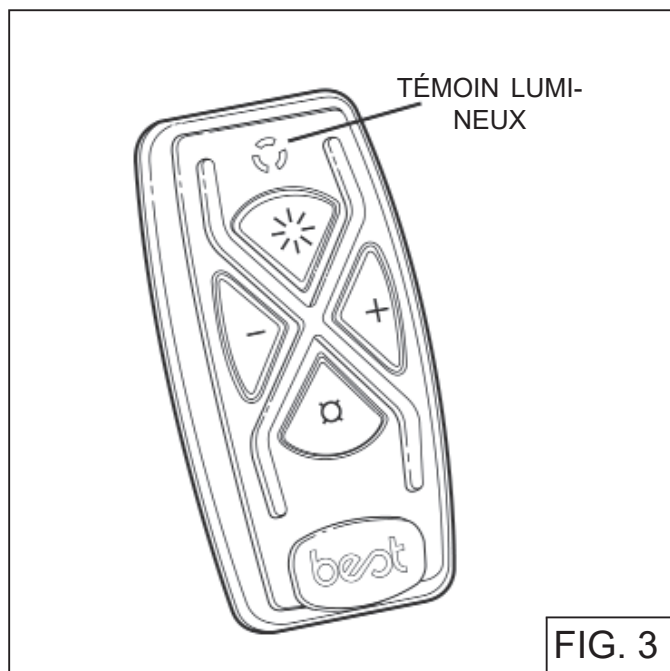
Lumières arrêt/basse/moyenne/haute.

TÉLÉCOMMANDE





La télécommande est jumelée à la hotte dès sa sortie de l'usine.



Si pour une raison quelconque cette liaison est perdue – veuillez suivre les directives ci-dessous :
Liaison de la télécommande à la hotte

1. Arrêtez le moteur de la hotte et éteignez l'éclairage.
2. Appuyez simultanément sur les boutons  et  sur la télécommande pendant 5 secondes jusqu'à ce que le voyant de la télécommande s'allume (Fig.3). Relâchez les boutons  et  puis appuyez et relâchez le bouton  pour confirmer la liaison. À ce stade, le voyant de la télécommande commence à clignoter pour confirmer que la liaison est active.
3. Dans les 3 secondes, appuyez sur P2 sur le panneau de commande de la hotte (Fig.4). Le signal sonore confirme que le processus de liaison a réussi.



Fonctions de la télécommande (Fig.3)


-  Arrêt différé - Désactivé
-  Bouton de réduction de la vitesse du ventilateur et d'arrêt.
-  Bouton de mise en marche et d'augmentation de la vitesse du ventilateur
-  Éclairage

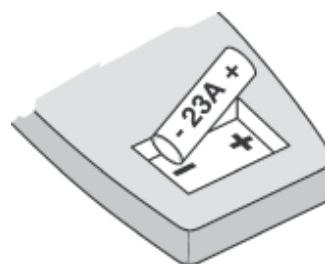
Appuyez  sur (Arrêt différé) et  (Éclairage) ensemble pour réinitialiser l'alarme de filtre.

ATTENTION IL Y A RISQUE D'EXPLOSION SI LA PILE EST REMPLACÉE PAR LE MAUVAIS TYPE DE PILES. METTRE LES PILES USÉES AU REBUT CONFORMÉMENT À LA RÉGLEMENTATION.

Mise au rebut des piles

Lorsque les piles doivent être remplacées, prenez soin de les déposer dans l'un des nombreux bacs de recyclage répartis au pays, particulièrement dans les magasins d'électronique. Le respect des normes en matière de collecte sélective, particulièrement pour la mise au rebut des piles usées, contribue à éviter de possibles effets négatifs sur l'environnement et la santé.

IMPORTANT: Maintenir  (Arrêt différé) pour plus de 3 secondes provoque la perte du lien entre la télécommande et la hotte.
Pour de plus amples information sur chaque fonction, consultez la section "Commandes" à la page précédente.



NETTOYAGE ET ENTRETIEN

Un entretien approprié de votre appareil garantira une performance adéquate.

Moteur

Le moteur est lubrifié à vie et aucun graissage n'est nécessaire. Si les roulements du moteur font un bruit excessif ou inhabituel, remplacez le moteur par une pièce de rechange identique. Remplacez aussi la roue de ventilateur.

Filtre à graisses

Le filtre à graisses doit être nettoyé souvent. Vous pouvez utiliser une solution détergente chaude ou le mettre dans le lave-vaisselle.

Nettoyez tous les filtres métalliques dans le lave-vaisselle avec un détergent sans phosphate. Si vous utilisez un détergent phosphaté ou selon le type d'eau, il est possible que le filtre se décolore, mais cela n'affectera aucunement ses performances. Cette décoloration n'est pas couverte par la garantie. Consultez la section « INSTALLATION DES FILTRES » pour connaître les instructions de retrait et d'installation.

Nettoyage de l'acier inoxydable

À FAIRE :

- nettoyez régulièrement l'acier inoxydable avec un chiffon ou un torchon enduit d'eau tiède et de savon doux ou de liquide à vaisselle.
- nettoyez toujours dans le sens des lignes de polissage d'origine.
- rincez toujours à l'eau claire (2 ou 3 fois) après le nettoyage. Essuyez complètement.

À NE PAS FAIRE :

- n'utilisez pas de laine d'acier inoxydable ou d'autres raclours pour éliminer la saleté difficile à éliminer.
- n'utilisez pas de poudre nettoyante abrasive ou rugueuse.
- ne laissez pas la saleté s'accumuler.
- maintenez la hotte à l'abri de la poussière de plâtre ou d'autres résidus de construction. Pendant la construction/les rénovations, couvrez la hotte afin d'éviter qu'aucune poussière n'adhère aux surfaces en acier inoxydable.

À éviter quand vous choisissez un détergent :

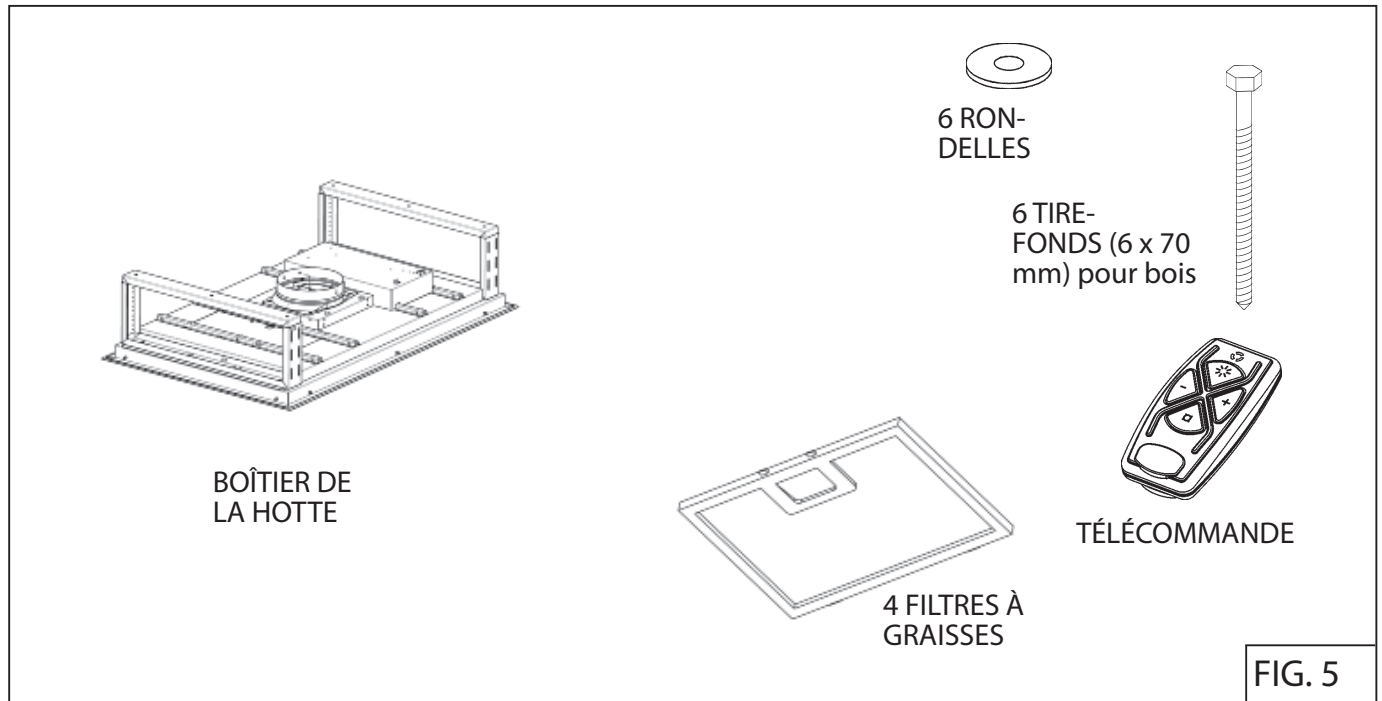
- tous les produits de nettoyage contenant de l'eau de Javel attaquent l'acier inoxydable.
- tous les produits contenant du chlore, du fluorure, de l'iode ou du bromure provoquent une détérioration rapide des surfaces.
- tous les produits combustibles utilisés pour le nettoyage, tels que l'acétone, l'alcool, l'éther, le benzène sont extrêmement explosifs et ne doivent jamais être employés à proximité d'une surface de cuisson.

PRÉPARATION DE LA HOTTE

Déballez la hotte et vérifiez le contenu de l'emballage.

Il doit comprendre :

- 1 - Boîtier de la hotte
- 1 - Télécommande
- 4 - Filtres à graisses
- 6 - Tire-fonds, 6 x 70 mm pour bois
- 6 - Rondelles




L'installateur est responsable de la sélection des fixations adaptées à la construction.

SÉLECTION D'UN VENTILTEUR EXTÉRIEUR OU INTERMÉDIAIRE

! ATTENTION : Un ventilateur extérieur ou intermédiaire peut être utilisé avec cette hotte. Le modèle de hotte CC3463ESB ne peut être installé qu'avec les modèles de ventilateur extérieur Best EB6, EB9, EB12, EB15 ou les modèles de ventilateur intermédiaire Best ILB3, ILB6, ILB9 ou ILB11. Aucun autre ventilateur ne peut être substitué (ventilateur vendu séparément).

Le ventilateur doit être homologué cULus pour être utilisé au Canada ou aux États-Unis, et évalué avec une commande de vitesse à semi-conducteurs de 120 V, 60 Hz, 3,0 A max.

INSTALLER LES CONDUITS

 **REMARQUE:** pour réduire les risques d'incendie, utilisez uniquement des conduits de métal.

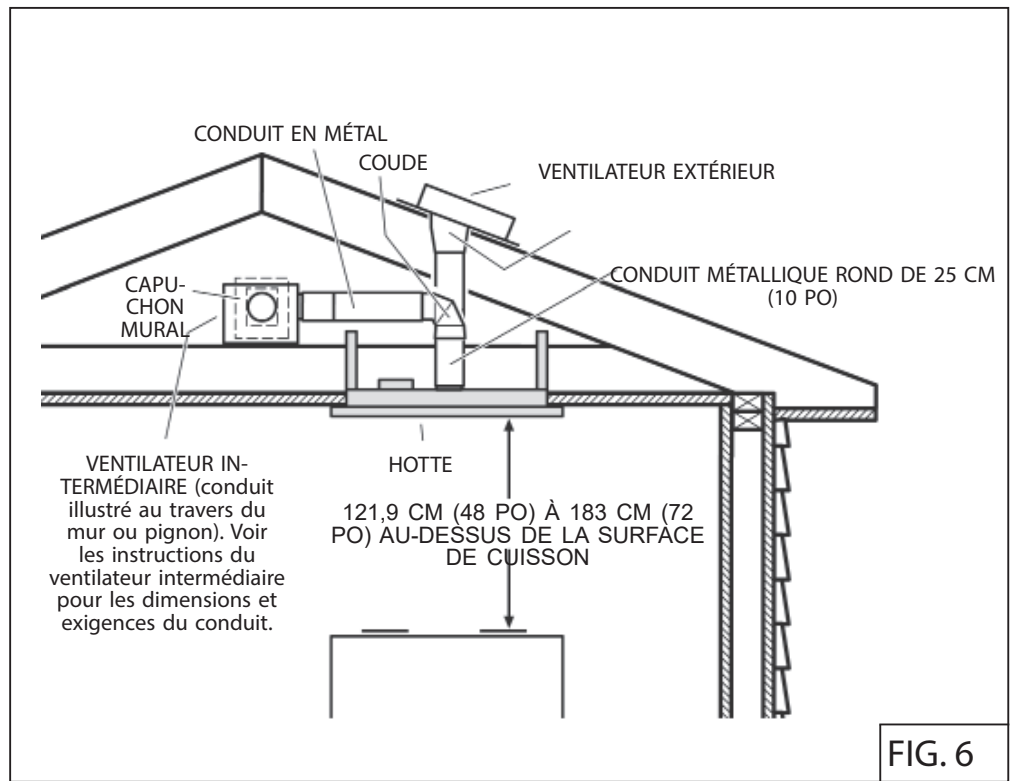
1. Choisissez l'emplacement de la hotte, du ventilateur extérieur ou intermédiaire et de tout capuchon mural ou de toit, et décidez de l'emplacement des conduits. Consultez la Fig. 6 et les instructions du ventilateur extérieur ou intermédiaire pour obtenir des suggestions.

2. Un tracé droit et court

permet à la hotte d'être plus efficace. Des conduits longs, des coudes et des transitions réduisent son efficacité. En utiliser le moins possible. Pour plus d'efficacité, des conduits plus gros peuvent être nécessaires si le tracé est trop long.

3. Installez un ventilateur extérieur ou intermédiaire.

4. Connectez le conduit en métal au ventilateur extérieur ou intermédiaire en progressant vers la hotte. Des coudes et des transitions peuvent être nécessaires. Consultez les instructions du ventilateur extérieur ou intermédiaire pour de plus amples informations. Scellez les joints avec du ruban à conduit à chaque section.



PRÉPARATION DE L'OUVERTURE AU PLAFOND

La hotte doit être centrée au-dessus de la surface de cuisson. Assurez-vous d'un espace adéquat dans la structure du plafond pour l'installation de la hotte et des conduits. Pour mieux capter les vapeurs de cuisson, la hotte doit être installée de 122 cm (48 po) à 183 cm (72 po) au-dessus de la cuisinière. (Fig. 6).

Utilisez du bois de la taille des solives pour fabriquer une charpente autour de l'ouverture de la hotte.

La structure du plafond doit être capable de supporter le poids de la hotte (88 livres - 40 Kg).

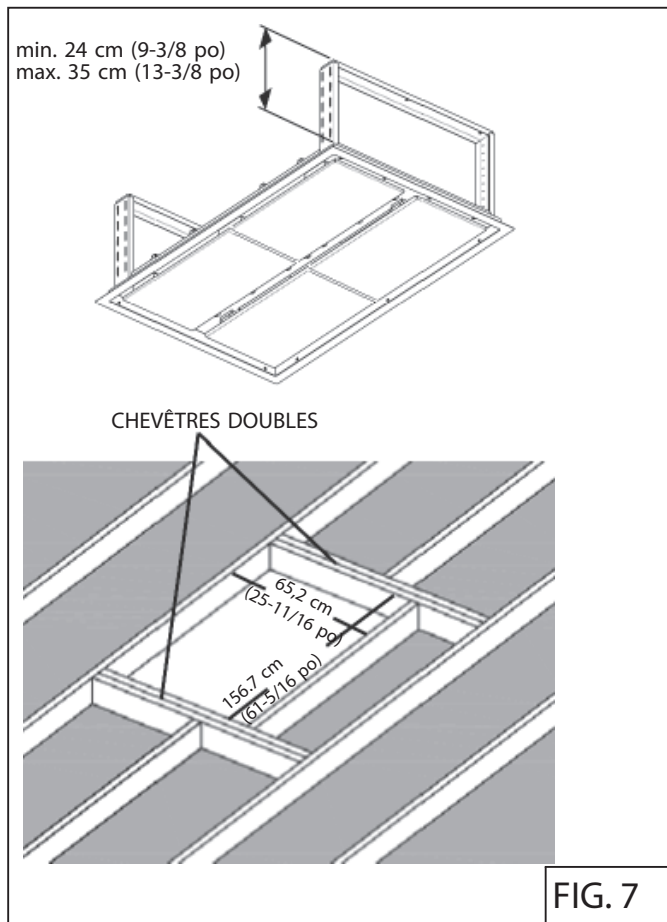


FIG. 7

PRÉPARATION DU SUPPORT DE LA HOTTE

1. Construisez une charpente de support, tel qu'illustré à la Fig. 8.
2. La structure doit être capable de supporter son propre poids plus celui de la hotte.

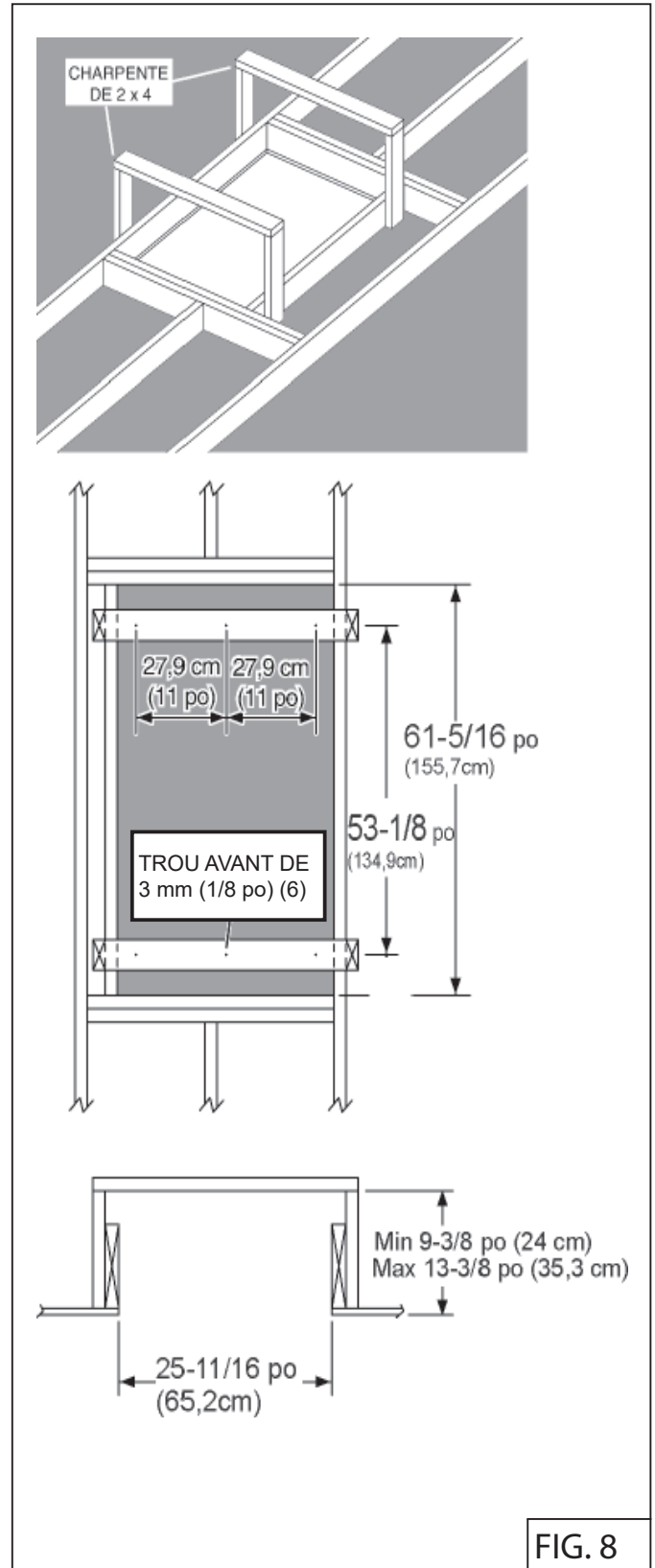


FIG. 8

INSTALLATION DE LA HOTTE

⚠ ATTENTION : Il est recommandé d'avoir plus d'installateurs, compte tenu de la taille et du poids de cette hotte.

1. Ajustez la hauteur des cadres de soutien télescopiques et serrez à les vis et rondelles (Fig. 9).

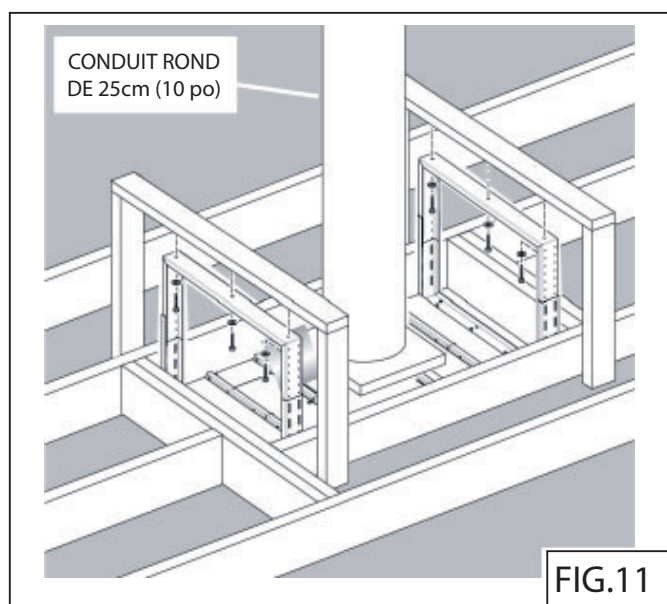
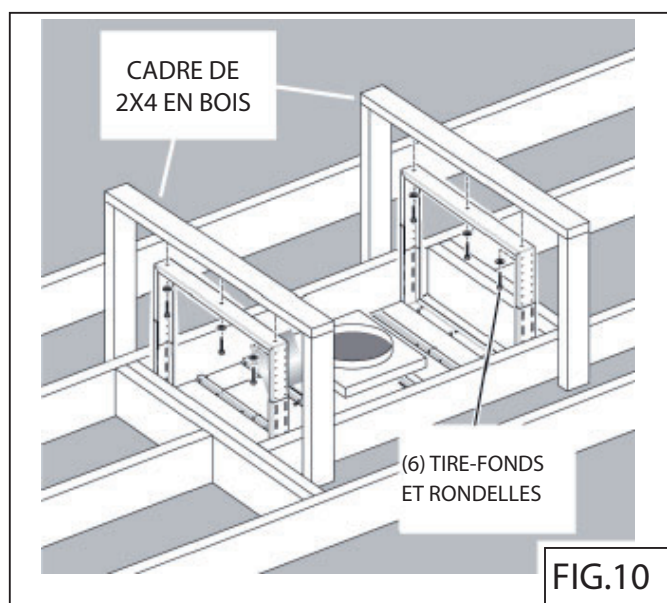
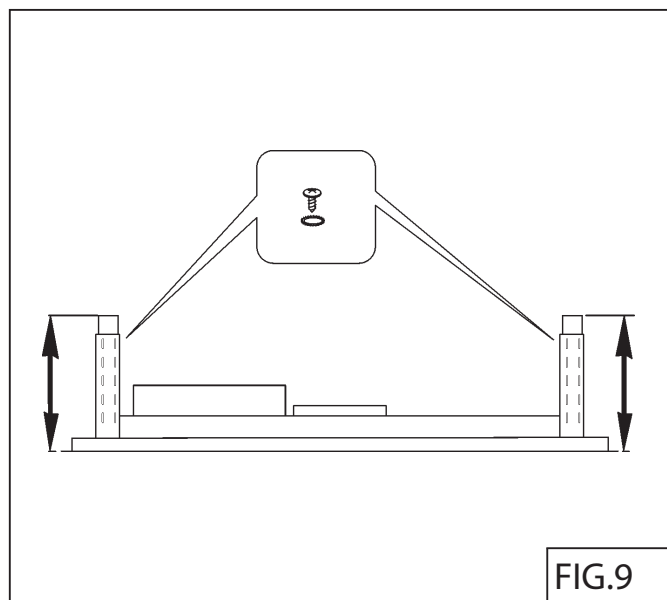
⚠ Attention: Ajustez la hauteur avant l'installation.

2. Soulevez la hotte dans l'ouverture du plafond.

3. Fixez chaque cadre de soutien de la hotte à la charpente de bois à l'aide des (6) tire-fonds de 6 x 60 mm et rondelles fournis. Fig. 10.

4. Installer un ventilateur extérieur ou intermédiaire en suivant les instructions fournies avec le ventilateur. Fig.11

5. Scellez les joints avec du ruban à conduit.



RACCORD DU CÂBLAGE



AVERTISSEMENT : Les travaux d'électricité doivent être effectués par des personnes qualifiées en respectant les codes et les normes en vigueur. Cette hotte de cuisine doit être correctement mise à la terre.

Enlevez les (2) vis du couvercle du compartiment électrique. Fig. 12.

CONNEXION DU VENTILATEUR À LA HOTTE

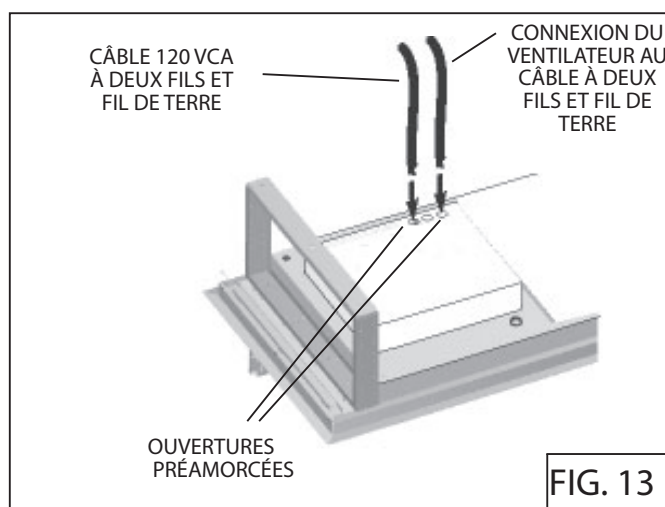
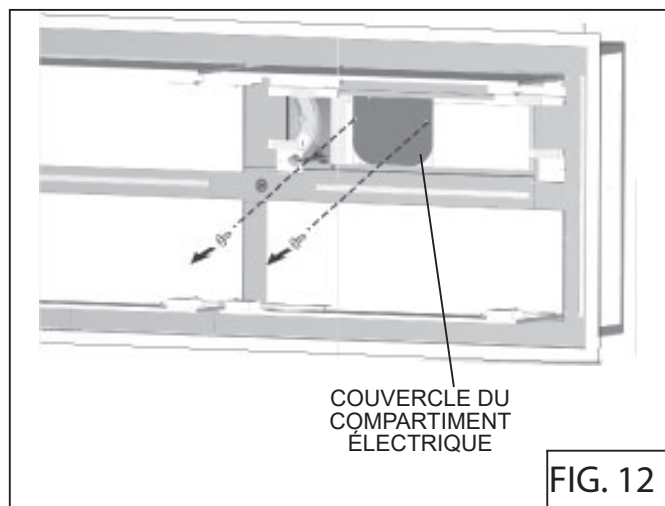
1. Acheminez un câble d'alimentation électrique à deux fils (plus un fil de terre) jusqu'à une ouverture préamorcée de 19 mm (3/4 po) à l'arrière de la hotte. Fig. 13.
2. Enlevez l'ouverture préamorcée de 19 mm (3/4 po) à l'arrière de la hotte.
3. Dans le boîtier électrique marqué « CONNEXION DU MOTEUR », enlevez les deux (2) vis qui retiennent le couvercle au boîtier métallique de câblage. Fig. 14.
4. Tirez 15,2 cm (6 po) de câble dans le boîtier et fixez-le avec le connecteur approprié.
5. Effectuez toutes les connexions à l'intérieur du boîtier de « CONNEXION DU MOTEUR ». Branchez les fils rouge-blanc, le fil noir au noir et le fil vert avec le fil de terre.
6. Remplacez le couvercle du boîtier de câblage et les vis. Assurez-vous qu'aucun des câbles n'est coincé entre le couvercle et le boîtier.

CONNEXION DU VENTILATEUR EXTÉRIEUR OU INTERMÉDIAIRE

1. Effectuez les branchements électriques du ventilateur extérieur ou intermédiaire (voir les instructions fournies avec le ventilateur).

CONNEXION DE L'ALIMENTATION À LA HOTTE

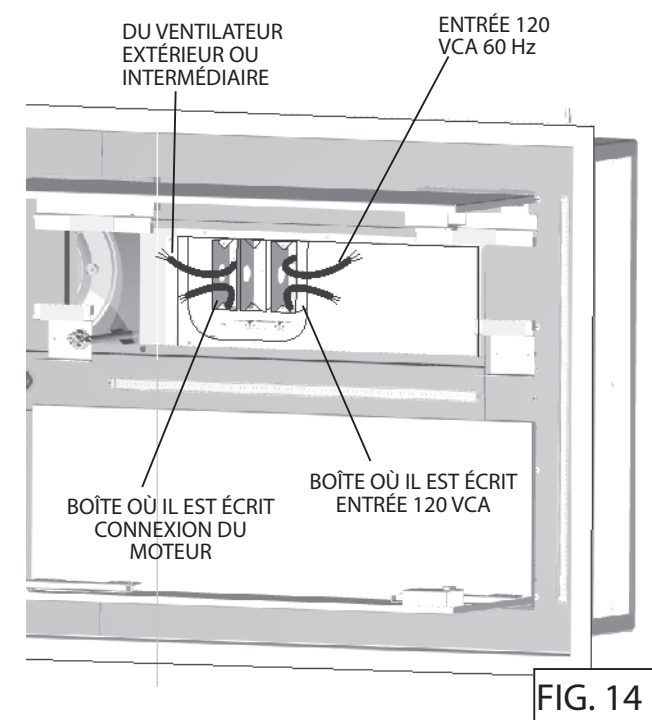
1. Acheminez un câble d'alimentation électrique à deux fils (plus un fil de terre) jusqu'à une ouverture préamorcée de 19 mm (3/4 po) à l'arrière de la hotte. Fig. 13.
2. Enlevez l'ouverture préamorcée de 19 mm (3/4 po) à l'arrière de la hotte.
3. Dans la boîte électrique marquée « ENTRÉE 120 VCA », enlevez les deux (2) vis qui retiennent le couvercle à la boîte métallique de câblage. Fig. 14.
4. Tirez 15,2 cm (6 po) de câble dans la boîte et fixez-le avec le connecteur approprié.
5. Effectuez toutes les connexions à l'intérieur de la boîte « ENTRÉE 120 VCA ». Branchez les fils blancs ensemble, les fils noirs ensemble et le fil vert avec le fil de terre.
6. Remplacez le couvercle du boîtier de câblage et les vis. Assurez-vous qu'aucun des câbles n'est coincé entre le couvercle et le boîtier.



CONNEXION DU VENTILATEUR ET DE L'ALIMENTATION À LA HOTTE

CONNEXION DE L'ALIMENTATION CONNECTER:
BLANC AVEC BLANC
NOIR AVEC NOIR
VERT AVEC FIL DE TERRE

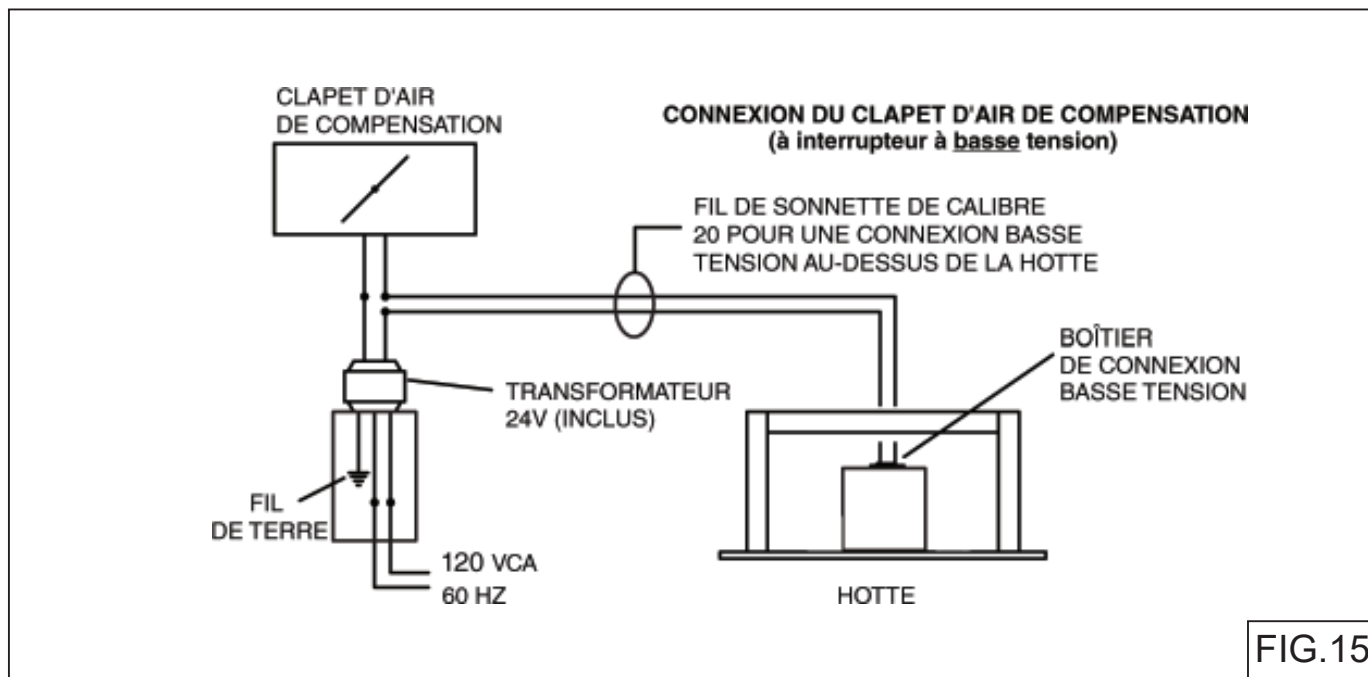
CONNEXION DU VENTILATEUR:
CONNECTER:
ROUGE AVEC BLANC
NOIR AVEC NOIR
VERT AVEC FIL DE TERRE



CLAPET D'AIR DE COMPENSATION

ATTENTION: La hotte est compatible seulement avec le Clapet d'air de compensation Broan modèle MD10T, vendu séparément.

Connectez le clapet d'air de compensation avec des fils de basse tension, tel qu'illustré. Pour de plus amples renseignements, consultez les directives du clapet d'air de compensation. Fig. 15



INSTALLATION DES FILTRES

1. Pour installer les filtres à graisses, alignez les ergots arrière des filtres dans les fentes de la hotte. Enfoncez la languette métallique, poussez le filtre en place et relâchez la languette. Vérifiez si le filtre est bien fixé une fois replacé. Fig.16.
 2. Pour enlever les filtres pour le nettoyage, enfoncez la languette métallique afin de dégager les filtres de la hotte. Inclinez le filtre vers le bas et enlevez-le.
- NOTE: Retirez le film protecteur des filtres à graisse et de toutes les pièces en acier avant de cuire sous la hotte.

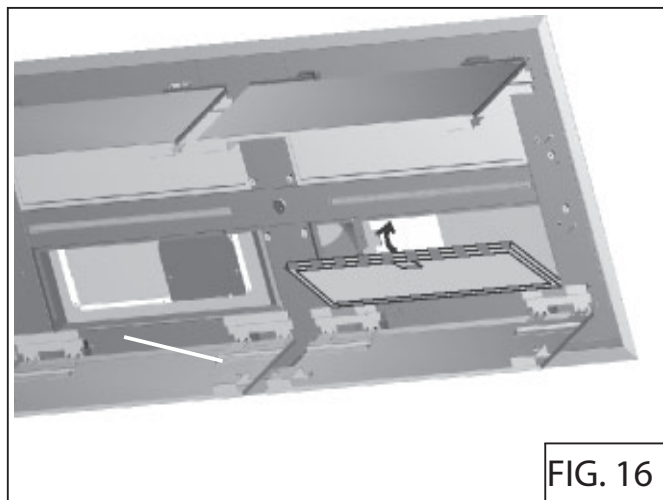


FIG. 16

PROCÉDURE DE PROGRAMMATION DU MODE

Cette hotte est conçue pour fonctionner avec différents modèles de ventilateur. Avant son utilisation, la commande doit être programmée en fonction de votre modèle de ventilateur afin de régler correctement sa vitesse.

Dans le tableau ci-dessous :

1. Trouvez le numéro de RÉGLAGE qui correspond au modèle de ventilateur installé avec votre hotte.
2. La télécommande est réglée à l'usine à RÉGLAGE 3. Si votre ventilateur figure sous RÉGLAGE 3, aucune programmation n'est requise. La hotte est maintenant prête à utiliser.

3. Pour les modèles de ventilateur indiqués sous RÉGLAGE 1 ou 2, suivez cette séquence de programmation :

A - Le courant doit être rétabli au panneau électrique pendant la programmation. Le ventilateur et l'éclairage doivent être éteints.

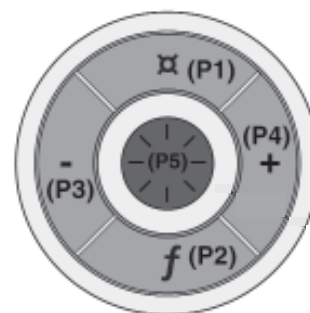
B. Appuyez sur P2 pendant 3 secondes. Le témoin DEL L1 se met à clignoter aux 3 rythmes différents : clignotement lent = RÉGLAGE 1; clignotement moyen = RÉGLAGE 2; clignotement rapide = RÉGLAGE 3 (par défaut).

C. Pour sélectionner le RÉGLAGE adéquat, appuyez sur P3 (-) ou P4 (+) afin de passer entre les RÉGLAGES 1, 2 ou 3.

D. Une fois le RÉGLAGE adéquat trouvé, appuyez sur P2 (f) pour mémoriser le RÉGLAGE choisi. E.

La hotte est maintenant prête à utiliser.

	RÉGLAGE 1	RÉGLAGE 2	RÉGLAGE 3 (par défaut)
NUMÉRO DE MODÈLE DU VENTILATEUR	EB6 ILB3 ILB6	EB12 EB15 ILB9	EB9 ILB11



Garantie limitée

Période de garantie et exclusions : Broan-NuTone LLC (l'« entreprise ») garantit au consommateur qui achète son produit (« vous ») que le produit (le « produit ») restera exempt de défauts importants dans ses composants ou sa fabrication pendant une période de cinq (5) ans à compter de la date de l'achat initial (ou pour une période plus longue si la loi en vigueur l'exige) ou une période de deux (2) ans à compter de la date de la prestation d'un service sur le produit.

La garantie limitée des pièces de rechange fournies par l'entreprise et de tout produit réparé ou remplacé en vertu de cette garantie est valide pour la durée non écoulée de la période de garantie initiale (ou d'une période plus longue si la loi en vigueur l'exige).

LA PRÉSENTE GARANTIE NE S'APPLIQUE PAS AUX DÉMARREURS DE LAMPE FLUORESCENTE, NI AUX TUBES, AMPOULES, FUSIBLES, FILTRES, CONDUITS, CAPUCHONS DE TOIT, CAPUCHONS MURAUX ET AUX AUTRES ACCESSOIRES POUR CONDUITS. Cette garantie exclut : a) l'entretien normal, b) l'usure normale, c) les produits et les pièces ayant fait l'objet d'une utilisation mauvaise, abusive ou anormale, d'une négligence, d'un accident, d'un entretien ou d'un entreposage, d'une réparation ou d'un entretien inadéquats ou insuffisants (sauf s'il s'agit d'une réparation effectuée par l'entreprise), d) les dommages attribuables à une installation incorrecte ou à une installation ou utilisation contraires aux recommandations ou aux instructions, e) les dommages attribuables au contact de l'air salin, f) les dommages survenus durant le transport, g) l'usure normale de la finition, h) les produits d'utilisation commerciale ou non résidentielle, i) les dommages causés par le feu, une inondation ou une autre catastrophe naturelle, ou j) les produits dont le numéro de série a été altéré ou effacé. Cette garantie ne s'applique qu'aux produits vendus aux consommateurs en Amérique du Nord.

La présente garantie remplace les garanties précédentes et, sous réserve de la loi applicable, n'est pas transférable par l'acheteur initial.

Aucune autre garantie : La présente garantie limitée énonce l'unique obligation de l'entreprise et votre seul recours pour les produits défectueux. Les garanties qui précèdent sont exclusives et l'emportent sur les autres garanties et modalités, expresses ou implicites. **DANS TOUTE LA MESURE PERMISE PAR LA LOI EN VIGUEUR, L'ENTREPRISE SE DÉGAGE DES AUTRES GARANTIES ET MODALITÉS EXPRESSES ET DES GARANTIES ET MODALITÉS IMPLICITES EN VERTU DE LA LOI, Y COMPRIS, SANS S'Y LIMITER, LES GARANTIES DE QUALITÉ MARCHANDE ET D'ADAPTATION À UN USAGE PARTICULIER.** Dans la mesure où la loi applicable interdit l'exclusion des garanties ou modalités implicites, la durée d'une garantie ou modalité implicite applicable est restreinte à la période indiquée pour la garantie expresse ci-dessus. Certains territoires de compétence (ce qui peut inclure la province de Québec ou certains États des États-Unis) interdisent les limites à la durée des garanties implicites; la restriction susmentionnée pourrait donc ne pas s'appliquer à vous. Les descriptions orales ou écrites du produit ont pour seul objet d'indiquer les produits et ne sauraient être interprétées dans le sens d'une garantie expresse.

Autant que possible, chaque disposition de cette garantie limitée est interprétée de sorte qu'elle soit valide sous le régime de la loi applicable, mais si l'une de ses dispositions est déclarée interdite ou nulle, cette disposition n'est nulle que dans la mesure de cette interdiction ou nullité, et les autres éléments de cette disposition ainsi que les autres dispositions de la garantie limitée restent valides.

Recours : Durant la période de la garantie limitée applicable, l'entreprise fournira, à son choix, des pièces de rechange ou des services de réparation ou de remplacement sans frais pour tout produit ou toute pièce de produit, dans la mesure où l'entreprise constate que la présente garantie limitée s'applique à ce produit ou à cette pièce dans le contexte d'une utilisation et d'un entretien normaux. L'entreprise vous expédiera le produit réparé, son remplacement ou les pièces de rechange sans frais. Vous assumez la totalité des coûts de mise hors service, de réinstallation, d'expédition et d'assurance et les autres frais de transport associés à la livraison du produit ou de la pièce à l'entreprise. Si vous devez envoyer le produit ou la pièce à l'entreprise, conformément à ses instructions, vous devez emballer adéquatement le produit ou la pièce; l'entreprise n'est pas responsable des dommages survenus durant le transport. L'entreprise se réserve le droit d'utiliser des produits ou pièces remis à neuf, réparés ou remanufacturés aux fins de réparation ou de remplacement dans le cadre de la garantie. Ces produits et ces pièces seront comparables quant à la fonction et aux performances avec les produits ou pièces d'origine, et protégés par une garantie pour la durée restante de la période de garantie initiale (ou d'une période plus longue si la loi en vigueur l'exige).

L'entreprise se réserve le droit, à son entière discrétion, de rembourser le montant que vous avez effectivement payé pour le produit. Si le produit ou la pièce n'est plus disponible, elle peut le ou la remplacer par un produit similaire de valeur égale ou supérieure, à son entière discrétion. Ceci constitue votre seul recours advenant un non-respect de la présente garantie limitée.

Exclusion des dommages : **L'OBLIGATION DE L'ENTREPRISE DE FOURNIR DES PIÈCES DE RECHANGE, OU DE RÉPARER OU REMPLACER LE PRODUIT, À SON CHOIX, EST VOTRE SEUL RECOURS EN VERTU DE LA PRÉSENTE GARANTIE LIMITÉE ET L'UNIQUE OBLIGATION DE L'ENTREPRISE. CETTE DERNIÈRE N'EST PAS RESPONSABLE DES DOMMAGES INDIRECTS OU SPÉCIAUX DÉCOULANT DIRECTEMENT OU INDIRECTEMENT DU PRODUIT, DE SON UTILISATION OU DE SES PERFORMANCES.**

Certains territoires de compétence interdisent l'exclusion ou la restriction des dommages indirects; la restriction qui précède pourrait donc ne pas s'appliquer à vous. Cette garantie vous donne des droits spécifiques, et vous pourriez aussi avoir d'autres droits, qui varient selon le territoire de compétence. Les renoncements, exclusions et restrictions de responsabilité aux termes de cette garantie ne s'appliquent pas dans la mesure où la loi en vigueur interdit une telle application.

La présente garantie ne s'applique qu'au remplacement ou à la réparation de produits ou pièces de produit défectueux effectué au principal lieu d'affaires de l'entreprise, et exclut les frais de déplacement et de subsistance liés aux services fournis sur le terrain.

Tout soutien que l'entreprise vous fournit ou vous procure et qui n'est pas visé par les dispositions, limites ou exclusions de la présente garantie limitée ne constitue pas une renonciation à ces dispositions, limites ou exclusions, et la fourniture de ce soutien ne prolonge ni ne rétablit la garantie.

L'entreprise ne vous remboursera pas vos dépenses faites pour la réparation ou le remplacement d'un produit défectueux, sauf celles pour lesquelles vous avez obtenu le consentement écrit de l'entreprise.

Comment obtenir le service de garantie : Pour avoir droit au service de garantie, vous devez : a) aviser l'entreprise à l'adresse ou au numéro de téléphone indiqué ci-dessous dans les sept (7) jours qui suivent la date où vous avez eu connaissance de la défectuosité couverte, b) indiquer le numéro de modèle et les données d'identification de la pièce, et c) décrire la nature de toute défectuosité du produit ou de la pièce. Au moment où vous demandez le service de garantie, vous devez présenter une preuve de la date de l'achat initial. Si vous ne pouvez pas produire de copie de l'original de la garantie limitée, alors ce seront les modalités de la dernière version de la garantie limitée de votre produit de l'entreprise qui s'appliqueront.

SPÉCIFICATIONS DU PRODUIT

Toutes les illustrations et les spécifications des produits contenues dans ce catalogue sont établies d'après les plus récentes données disponibles en date de la production. Broan-NuTone LLC et BEST^{MD} se réservent le droit de modifier les prix, les couleurs, les composants, les produits, les spécifications et les modèles, de déplacer le lieu de fabrication et de cesser la production d'un modèle ou d'un produit, et ce, en tout temps et sans préavis.

Best

Broan-NuTone LLC : 926 W. State Street, Hartford (WI) 53207

1 800 637-1453

Best^{MD}, 550, boul. Lemire, Drummondville (Québec), Canada (1 866 737-7770) fr.bestrangehoods.ca

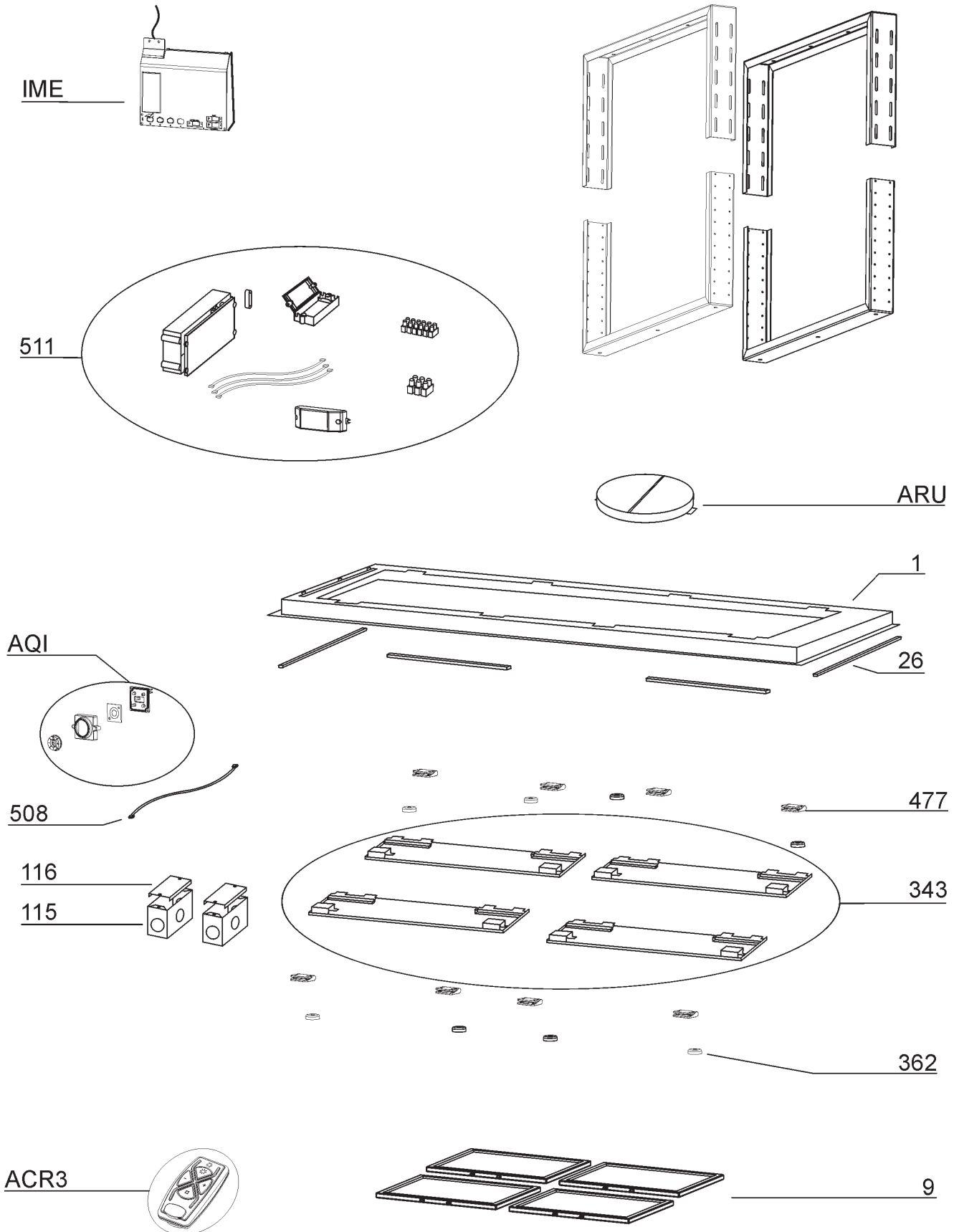
PIÈCES DE RECHANGE

Modèle CC34E63SB

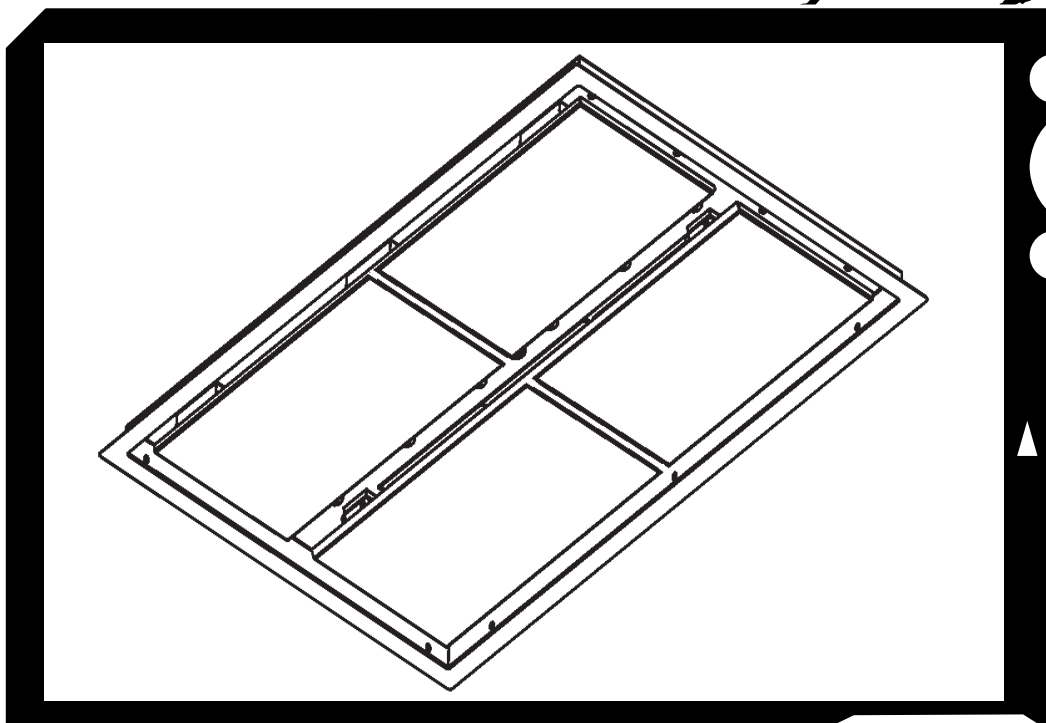
REPÈRE	N° DE PIÈCE	DESCRIPTION
1	B003103711	CADRE
9	B08087836	FILTRE À GRAISSES
26	B023004301	DEL
115	BE3350233	BOÎTIER DE CONNEXION DU CÂBLE D'ALIMENTATION
116	BE3334252	COUVERCLE DU BOÎTIER DE CONNEXION DU CÂBLE
343	B08094449	COUVERCLE DU COMPARTIMENT ELECTRIQUE
362	B02011422	AIMANT
477	B02011376	CHARNIERE
508	B02301083	CÂBLE COMMANDES
511	B06102809	ENSEMBLE COMMANDES
998	B080810962	ENSEMBLE DE FIXATION
999	B080814338	ENSEMBLE DE DIRECTIVES D'INSTALLATION
IME	B06102808	ENSEMBLE D'INSTALLATION ÉLECTRIQUE
AQI	B06102813	ENSEMBLE DE BOÎTIER COMMANDES
ARU	BE3405192	ENSEMBLE RACCORD
ACR3	B08999186	TÉLÉCOMMANDE

PIÈCES DE RECHANGE

Modèle CC34E63SB



best®



Modelo CC34E63SB

ENGLISH.....	3
FRANÇAIS.....	20
ESPAÑOL.....	39

En EE.UU.: BEST Hartford, Wisconsin
En CANADÁ - BEST Drummondville, QC, Canada

REGISTRE SU PRODUCTO EN LÍNEA EN: www.BestRangeHoods.com/register
Para obtener información adicional visite www.BestRangeHoods.com

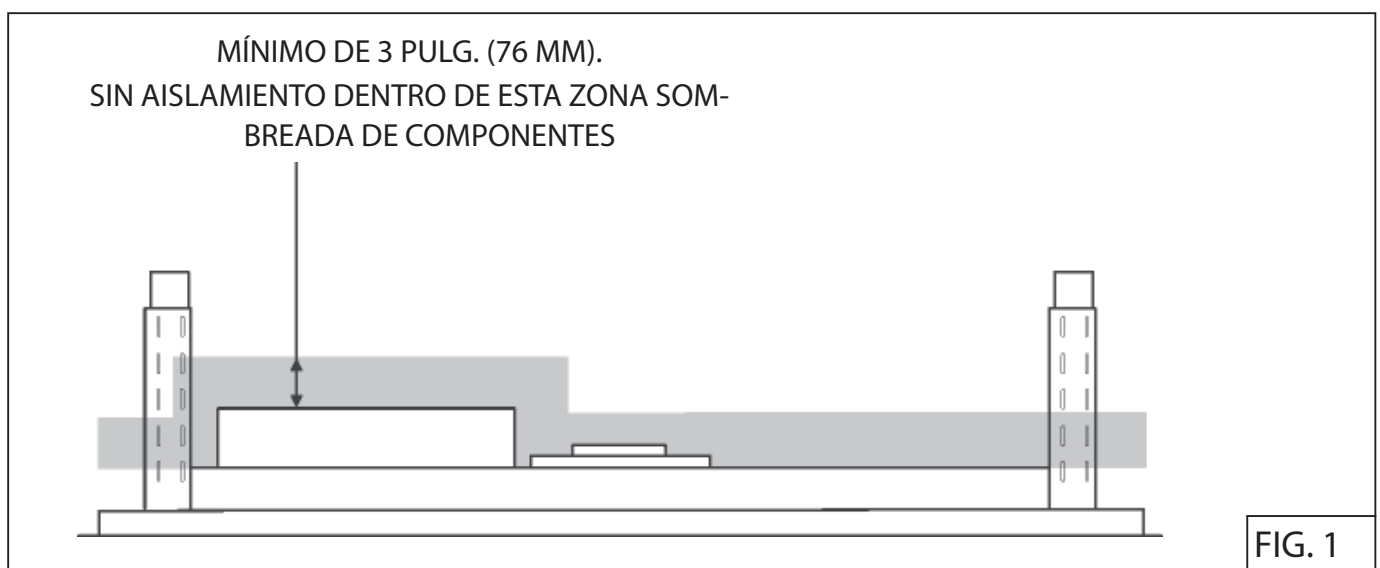
LEA Y CONSERVE ESTAS INSTRUCCIONES

⚠️ PARA COCINAS DOMÉSTICAS SOLAMENTE ⚠️

⚡ ⚠️ ADVERTENCIA

PARA REDUCIR EL RIESGO DE INCENDIOS, DESCARGAS ELÉCTRICAS O LESIONES PERSONALES, RESPETE LO SIGUIENTE:

1. Utilice esta unidad sólo de la manera prevista por el fabricante. Si tiene preguntas, comuníquese con el fabricante a la dirección o el número de teléfono que aparecen en la garantía.
2. Antes de realizar el mantenimiento de la unidad o de limpiarla, desconecte la energía en el panel de servicio y bloquéelo para evitar conectar la energía accidentalmente. Cuando no se pueda bloquear el mecanismo de desconexión, fije firmemente un dispositivo de advertencia que se destaque, como una etiqueta, en el panel de servicio.
3. Una persona capacitada debe realizar el trabajo de instalación y el cableado eléctrico conforme a los códigos y estándares correspondientes, incluidos los códigos y estándares de construcción de resistencia al fuego.
4. Es necesario que haya suficiente aire para que se produzca una combustión adecuada y los gases de los equipos que consumen combustible se puedan evacuar a través del conducto de humo (chimenea) para evitar el contratiraje. Siga las directrices y las normas de seguridad del fabricante del equipo de calefacción como las publicadas por la Asociación Nacional de Protección contra Incendios (National Fire Protection Association, NFPA) y la Sociedad Americana de Ingenieros en Calefacción, Refrigeración y Aire Acondicionado (American Society for Heating, Refrigeration and Air Conditioning Engineers, ASHRAE) y las autoridades de códigos locales.
5. Cuando realice cortes o perforaciones en paredes o techos, no dañe el cableado eléctrico ni otros servicios públicos ocultos.
6. Los ventiladores entubados siempre deben ventilarse hacia el exterior.
7. No utilice esta unidad con un dispositivo de control de velocidad de estado sólido independiente.
8. Para reducir el riesgo de incendios, sólo utilice entubados de metal.
9. Este artefacto se debe conectar a tierra.
10. Instalación del tipo que no es IC: El aislamiento térmico no debe cubrir la cubierta superior de la campana y debe estar separado 3 pulgadas (76 mm) de todos los lados. (Fig. 1)



PARA REDUCIR EL RIESGO DE INCENDIO PROVOCADO POR GRASA PRESENTE EN LA ESTUFA:

- A. Nunca deje desatendidas las unidades de la superficie cuando estén en ajustes altos de calor. Los alimentos en ebullición provocan derrames grasosos y con humo que se pueden incendiar. Caliente el aceite lentamente en ajustes de calor bajo o medio.
- B. Siempre ENCIENDA la campana cuando esté cocinando a altas temperaturas o flamee alimentos (por ejemplo crepas Suzette, cerezas Jubilee, bistec con pimienta flameado).
- C. Limpie frecuentemente los ventiladores. No permita la acumulación de grasa en el ventilador ni en el filtro.
- D. Use una cacerola del tamaño adecuado. Siempre use utensilios de cocina que sean apropiados para el tamaño del elemento de la superficie.

PARA REDUCIR EL RIESGO DE LESIONES A LAS PERSONAS EN CASO DE UN INCENDIO PRODUCIDO POR GRASA EN UNA ESTUFA, OBSERVE LO SIGUIENTE*:

1. APAGUE LAS LLAMAS con una tapa de ajuste exacto, una charola para galletas o una bandeja de metal, y después apague el quemador. PROCEDA CON CUIDADO PARA EVITAR QUEMADURAS. Si las llamas no se apagan inmediatamente, EVACUE EL ÁREA Y LLAME A LOS BOMBEROS.
2. NUNCA LEVANTE UNA CACEROLA INCENDIADA porque podría ocasionarse quemaduras.
3. NO TRATE DE APAGAR EL FUEGO CON AGUA ni con trapos o toallas de cocina mojados, pues ocasionará una explosión violenta de vapor.
4. Use un extintor SOLO si:
 - A. El extintor es de Clase ABC y usted sabe cómo hacerlo funcionar.
 - B. El incendio es pequeño y está confinado al área en la que se inició.
 - C. Se está llamando al Departamento de Bomberos.
 - D. Puede combatir el incendio teniendo la espalda orientada hacia una salida.

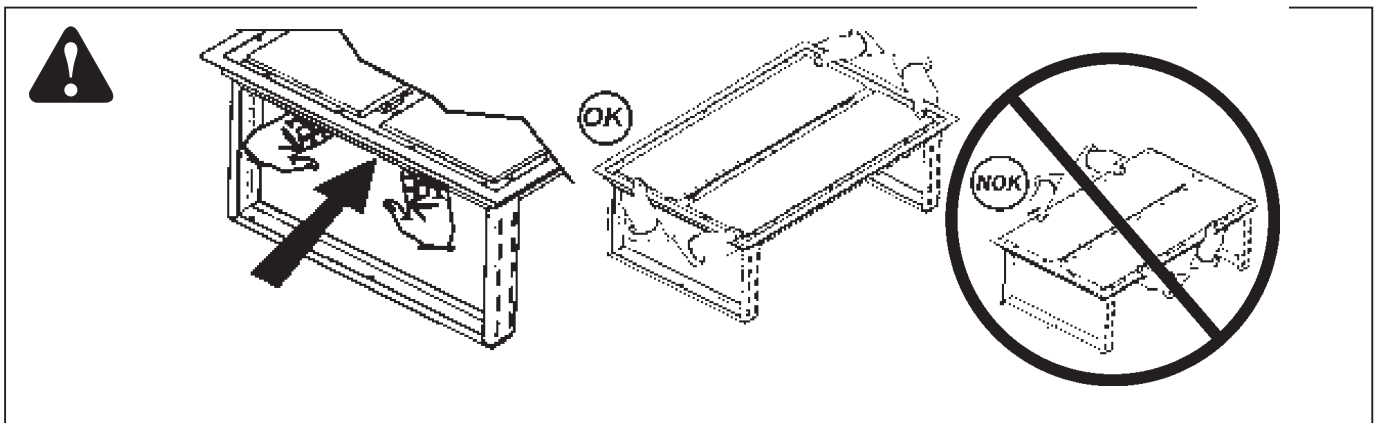
* Basado en "Kitchen Fire Safety Tips" (Sugerencias para la seguridad contra incendios en la cocina).

PRECAUCIÓN

1. Solo debe usarse bajo techo.
2. Para reducir el riesgo de incendio y para descargar adecuadamente el aire, asegúrese de dirigir el aire hacia el exterior. No descargue el aire en espacios contenidos entre paredes o cielos rasos, ni en áticos, sótanos bajos ni en la cochera.
3. Tenga cuidado cuando use agentes de limpieza o detergentes.
4. Evite usar bajo la campana de la estufa productos alimenticios que produzcan llamas.
5. Solo para usarse como medio de ventilación general. No debe usarse para la extracción de materiales o vapores peligrosos o explosivos.
6. Para evitar daños a los cojinetes del motor y rotores ruidosos o desbalanceados, mantenga la unidad de potencia protegida contra rociados de yeso, polvos de construcción, etc.
7. Este motor de campana tiene una protección contra sobrecargas térmicas que automáticamente apagará el motor en caso de sobrecalentamiento. El motor reanudará su funcionamiento cuando se enfríe. Si el motor continúa apagándose y encendiéndose, solicite servicio para la campana.
8. Para capturar mejor las impurezas producidas al cocinar, la parte inferior de la campana debe estar a una altura mínima de 48 pulg. (121,9 cm) y máxima de 72 pulg. (183 cm) sobre la superficie de cocción. Consulte el apartado "Instalación del soporte de montaje" para ver las restricciones de montaje.
9. Se recomienda que mas personas hagan la instalación debido al gran tamaño y peso de esta campana.
10. Lea la etiqueta de especificaciones del producto para ver información y requisitos adicionales.
11. Para reducir el riesgo de incendio y descargas eléctricas, instale esta campana solamente con los modelos de ventilador exterior Best EB6, EB9, EB12, EB15 o los modelos de ventilador en línea Best ILB3, ILB6, ILB9 o ILB11. No se pueden utilizar otros ventiladores. (Los ventiladores se venden por separado).
12. Este grupo de alimentación está equipado con un receptor de RF (control remoto opcional se vende por separado). Los cambios o modificaciones no aprobadas expresamente por la parte responsable del cumplimiento podrían anular la autoridad del usuario para operar el equipo. Este control remoto ha sido probado y cumple con los límites establecidos para un dispositivo digital de clase B, acorde a la parte 15 del Reglamento de la FCC e ICES-003 canadiense. Estos límites están diseñados para proporcionar una protección razonable contra interferencias perjudiciales en una instalación residencial.

Este control remoto genera, utiliza y puede irradiar energía de radiofrecuencia y, si no se instala y utiliza de acuerdo con las instrucciones, puede causar interferencias perjudiciales a las comunicaciones por radio. Sin embargo, no hay garantía de que no se produzcan interferencias en una instalación particular. Si este equipo causa interferencias perjudiciales para la recepción de radio o televisión, lo cual puede determinarse apagando y encendiendo el equipo, se recomienda al usuario que intente corregir la interferencia por una o varias de las siguientes medidas:

- Reoriente o cambie la localización de la antena receptora
- Aumentar la distancia entre el equipo y el receptor
- Conecte el equipo en un tomacorriente localizado en un circuito diferente al que está conectado el receptor.



FUNCIONAMIENTO

Controles (Fig.1)

La campana se opera mediante los 5 botones pulsadores que se encuentran en la campana y en el control remoto. LED de colores se muestran en el control de campana solamente.



(P1) Interruptor de apagado con retardo

- Su campana incluye un interruptor de apagado con retardo del ventilador de 10 minutos. Oprima una vez este interruptor para activar el temporizador, y el anillo de LED (L1) destella en azul. El ventilador seguirá funcionando 10 minutos. Después de 10 minutos, el ventilador se apaga automáticamente.
- Para cancelar el retardo de 10 minutos, oprima de nuevo el interruptor de retardo.

(P2) Interruptor de alarma del filtro

- Después de 30 horas de funcionamiento del ventilador, se activa la alarma del filtro y el anillo de LED (L1) enciende en color rojo/destella. Indica que es necesario limpiar los filtros antigrasa.
- Después de limpiar los filtros antigrasa, reinicie el contador de horas presionando el botón de reinicio de temporizador/alarma de filtro (P2) mientras se visualice la alarma.

(P3) Reducción de velocidad del ventilador e interruptor de apagado

- Oprima para reducir la velocidad del ventilador, de alta a baja. El anillo de LED (L1) destella en azul a una velocidad proporcional al ajuste del ventilador (por ejemplo: cuatro destellos es alta velocidad, un destello es baja velocidad, etc.)
- Continúe oprimiendo este interruptor para apagar el ventilador.

(P4) Incremento de velocidad del ventilador e interruptor de encendido

- Oprima este interruptor para encender el ventilador a baja velocidad.
- Oprima otra vez para aumentar la velocidad del ventilador, de baja a alta. El anillo de LED (L1) destella en azul a una velocidad proporcional al ajuste del ventilador (por ejemplo: cuatro destellos es alta velocidad, un destello es baja velocidad, etc.)

(P5) Interruptor de la luz




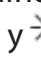
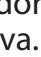
Luces: apagado/bajo/medium/alto.

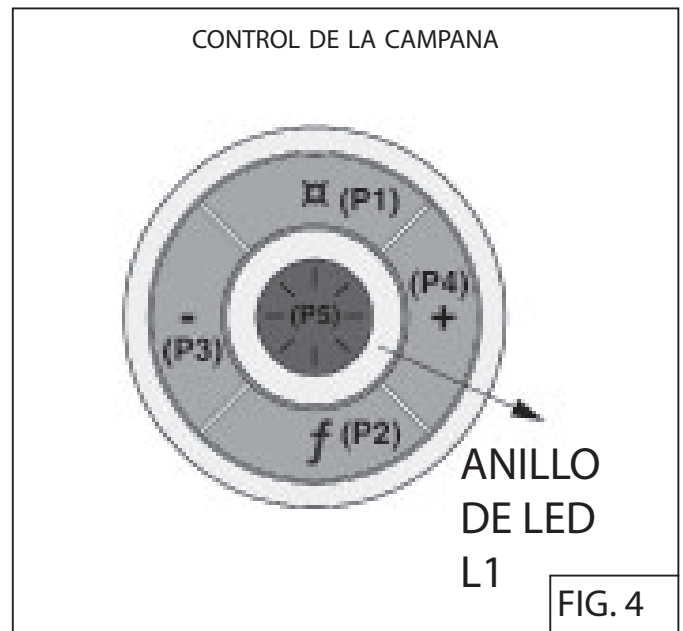
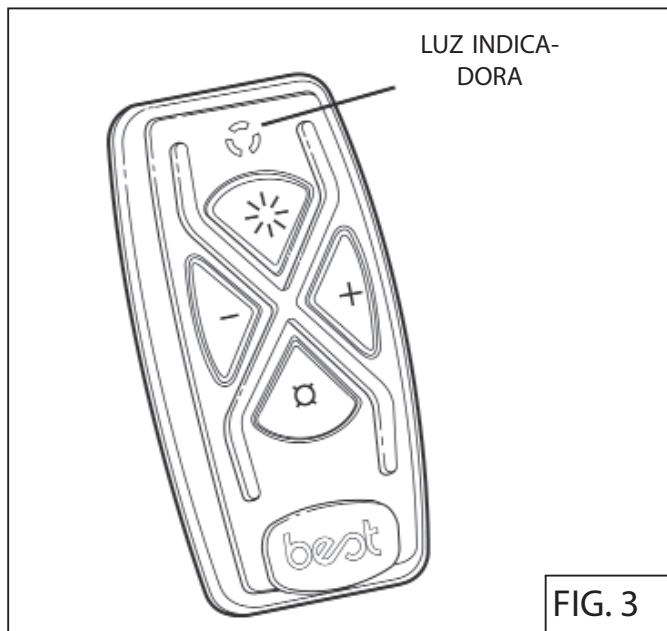
CONTROL REMOTO

El control remoto se enlaza a la campana en la fábrica.





Si por alguna razón se pierde el enlace, siga estas instrucciones:



Para enlazar el control remoto a la campana

1. Apague el motor y las luces de la campana.
2. Pulse los  botones y  del mando a distanciasimultáneamente durante 5 segundos hasta que elIndicador de Luz del mando a distancia se enciende (Fig.3). Suelte los botones  y  y pulse y suelte el botón  para confirmar la conexión. En este punto, elIndicador de Luz del mando a distancia a parpadearpara confirmar que la conexión está activa.
3. En 3 segundos presione P5 en el control de la campana (Fig.4) El BEEP confim que el proceso de vinculación se ha se ha realizado correctamente.



Remote Control Functions (Fig.3)


-  Retraso - Apagado
-  Se reduce la velocidad del ventilador y se apaga
-  Se aumenta la velocidad del ventilador y se enciende
-  Luz

Presione  (Retraso) and  (Luz) en conjunto para restablecer la alarma de filtro.

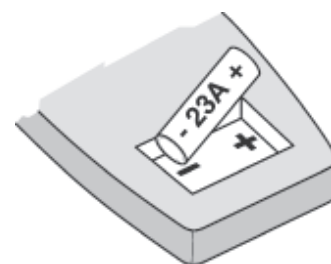
PRECAUCIÓN RIESGO DE EXPLOSIÓN SI SE REEMPLAZA LA PILA CON UNA DEL TIPO INCORRECTO. DESECHE LA PILA USADA SEGÚN LAS INSTRUCCIONES.

Desecho de la pila

Cuando sea necesario cambiar las pilas, deséchelas únicamente en los recipientes especiales para desecho que encuentra fácil y en gran cantidad, en especial en tiendas que venden productos electrónicos de consumo. El cumplimiento de los reglamentos sobre recolección diferenciada de residuos y, en particular, la disposición adecuada de pilas usadas, contribuye a prevenir posibles efectos negativos sobre el medio ambiente y la salud.

IMPORTANTE: Manteniendo  (Retraso) durante más de 3 segundos hará que el vinculo entre el control remoto y el capó se pierda.

Si desea más información sobre cada función, vea la sección "Controles" en la página anterior.



LIMPIEZA Y MANTENIMIENTO

El mantenimiento adecuado de la campana para cocina garantizará el rendimiento correcto de la unidad.

Filtro de grasas

Se debe limpiar el filtro de grasas regularmente. Utilice una solución de detergente tibia. El filtro de grasas es apto para lavavajillas. Limpie los filtros que sean completamente de metal del lavavajillas con un detergente sin fosfato. Es posible que se produzca una decoloración del filtro si se usan detergentes con fosfato o como resultado del estado del agua local, pero esto no afectará el rendimiento del filtro. Esta decoloración no está cubierta por la garantía.

Consulte la sección "INSTALACIÓN DE FILTROS" para obtener instrucciones de extracción e instalación.

Limpieza del Acero Inoxidable

LO QUE SE DEBE HACER:

- limpiar regularmente con un paño limpio o un trapo empapado con agua tibia y jabón suave o detergente líquido.
- limpiar siempre en la dirección de las líneas pulidas originales.
- siempre enjuagar bien con agua limpia (2 ó 3 veces) después de la limpieza. secar con un trapo por completo.

LO QUE NO SE DEBE HACER:

- usar cualquier esponja de acero o acero inoxidable o cualquier raspador para eliminar cualquier suciedad persistente.
- usar limpiadores agresivos o abrasivos.
- permitir que se acumule suciedad.
- dejar que el polvo de yeso o cualquier otro residuo de construcción alcance la campana. durante una construcción/renovación, cubrir la campana para cocina para asegurarse de que el polvo no se pegue en la superficie de acero inoxidable.

Cuando elija un detergente, evite lo siguiente:

- todos los limpiadores que contienen lejía, ya que atacarán el acero inoxidable.
- todos los productos que contienen: cloruro, fluoruro, yoduro o bromuro, porque deteriorarán las superficies rápidamente.
- todos los productos combustibles usados para limpiar, como acetona, alcohol, éter, bencol, etc., puesto que son altamente explosivos y nunca se deben usar cerca de la cocina.

PREPARACIÓN DE LA CAMPANA

Desensamble la campana y revise el contenido.

Debe recibir:

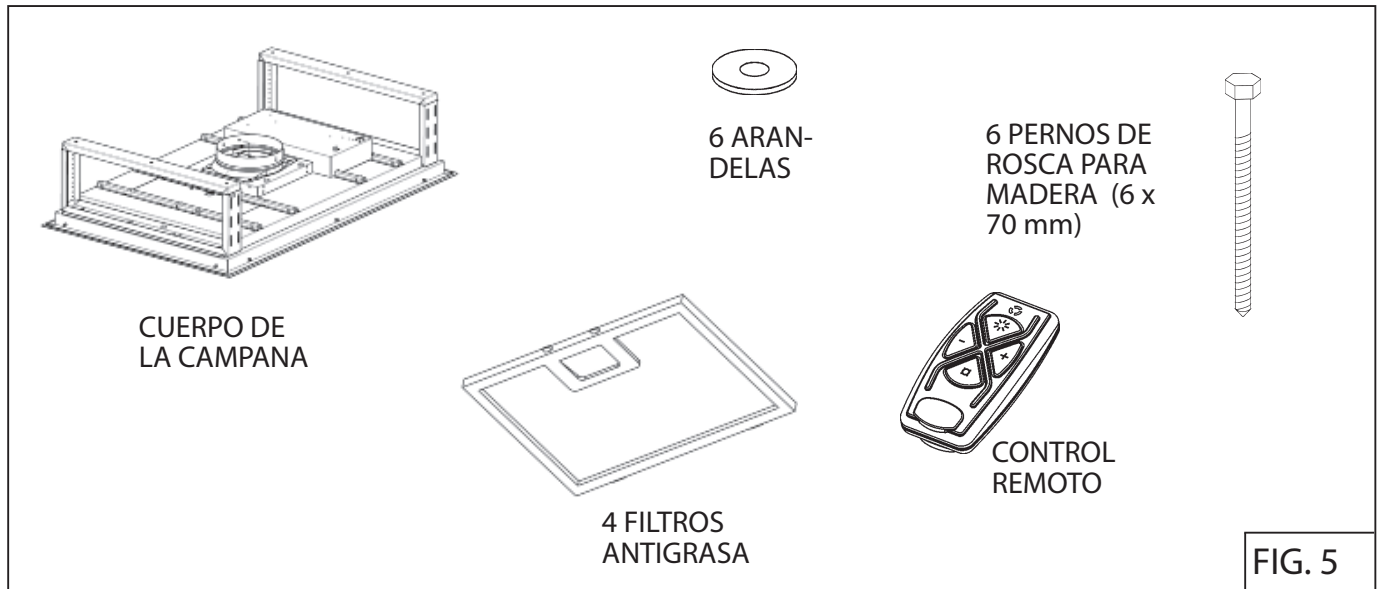
1 - Cuerpo de la campana

1 - Control remoto

4 - Filtros antigrasa

6 - Pernos de rosca para madera, 6 x 70 mm

6 - Arandelas



El instalador es responsable de seleccionar los sujetadores adecuados para la construcción del edificio.

SELECCIÓN DEL VENTILDOR EXTERIOR O EN LÍNEA

⚠ PRECAUCIÓN: Con esta campana puede usarse un ventilador exterior o un ventilador en línea. La campana modelo CC3463ESB debe instalarse únicamente con los modelos de ventilador exterior Best EB6, EB9, EB12, EB15 o con los modelos de ventilador en línea Best ILB3, ILB6, ILB9 o ILB11. No se pueden utilizar otros ventiladores. (Los ventiladores se venden por separado).

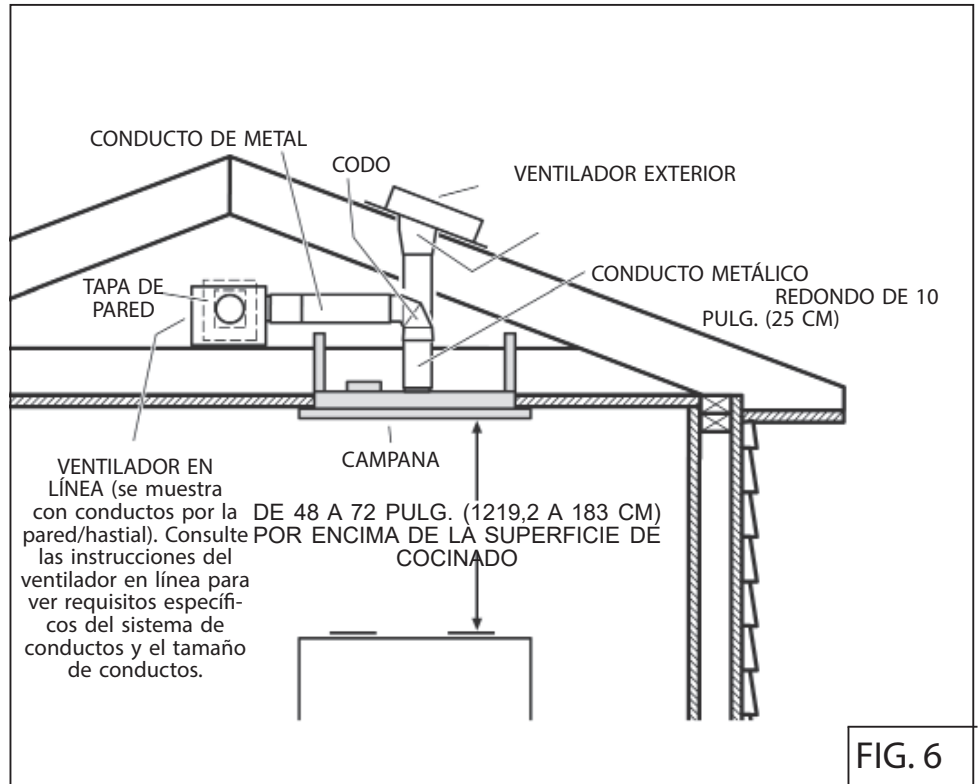
El ventilador debe estar aprobado por cULus para uso en Canadá y EE.UU. y evaluado para usarse con un control de velocidad de estado sólido con 120 V, 60 Hz y 3.0 A máx. nominales.

INSTALACION DEL CONDUCTO DE EXTRACCION

⚠ **NOTA:** para evitar el riesgo de incendio, use solamente material de metal.

1. Elija la ubicación de la campana, el ventilador exterior o en línea y cualquier tapa de techo o pared, y decida dónde colocará los conductos. Vea sugerencias en la Fig. 6 y en las instrucciones del ventilador exterior o en línea.

2. Un conducto recto y corto permitirá que la campana funcione más eficientemente. Los tramos



largos de conductos, codos y transiciones reducirán el rendimiento de la campana. Use tan pocos de ellos como sea posible. Es posible que se requieran conductos más grandes para un mejor funcionamiento con tramos más largos de conductos.

3. Instale un ventilador exterior o en línea.

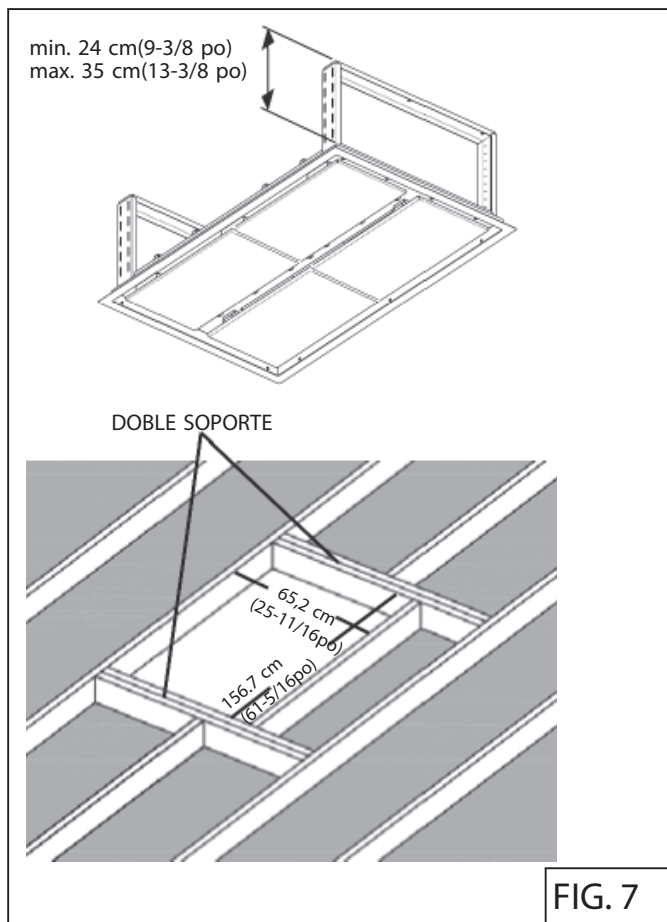
4. Conecte el conducto metálico al ventilador exterior o en línea y trabaje hacia atrás, hacia la ubicación de la campana. Tal vez necesite codos y transiciones. Vea más información en las instrucciones del ventilador exterior o en línea. Use cinta para conductos para sellar las uniones entre las secciones de conductos.

PRÉPARATION DE L'OUVERTURE DU PLAFOND

La campana siempre debe centrarse arriba de la estufa. Asegúrese de tener el espacio adecuado en la estructura del techo para instalar la campana y los conductos. La campana debe montarse de 48 a 72 pulg. (120 a 180 cm) por arriba de la estufa para extraer mejor las impurezas al cocinar. Fig.6.

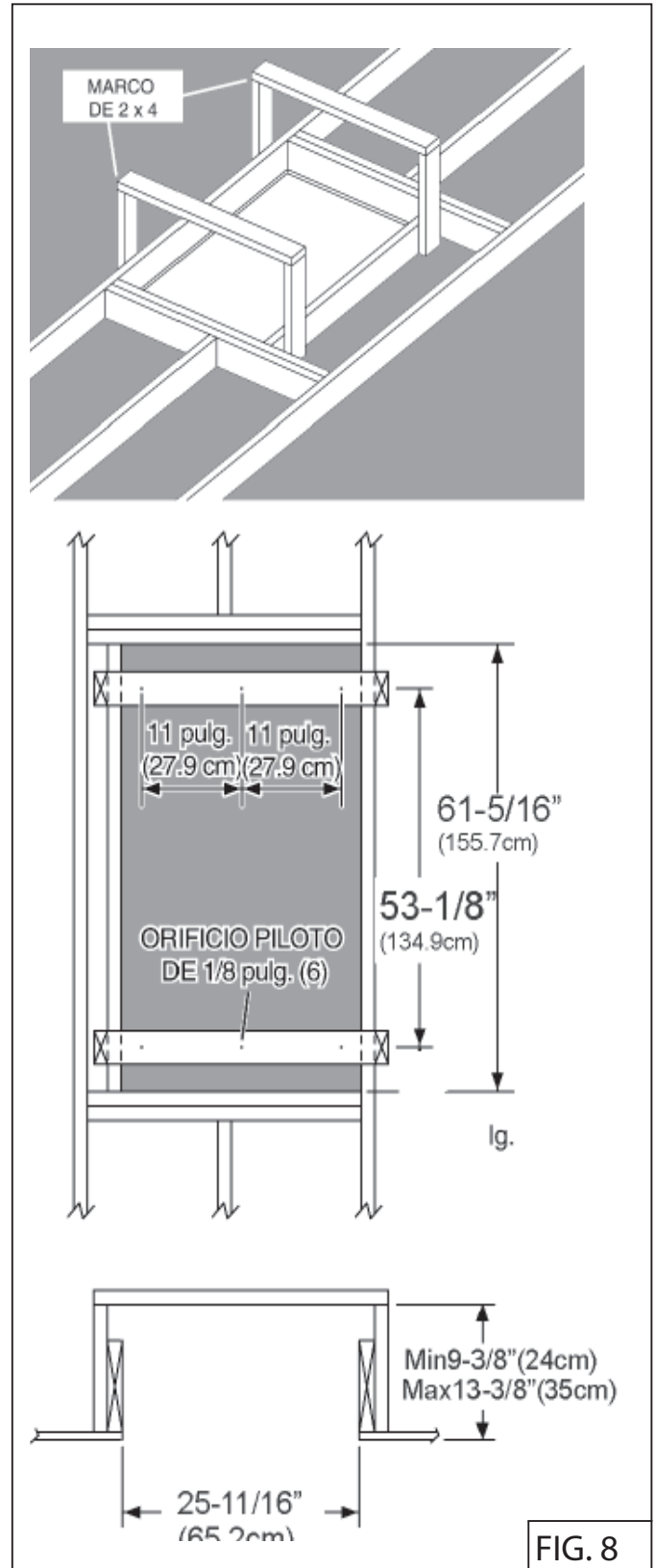
Utilice madera del tamaño de las vigas para crear un marco alrededor de la abertura de la campana.

La estructura del techo también debe soportar el peso de la campana (88 libras - 40Kg).



PREPARE EL SOPORTE DE LA CAMPANA

1. Construya un sistema de marco de madera, como se muestra en la Fig. 8.
2. La estructura debe ser capaz de soportar su propio peso, más el peso de la campana.



INSTALE LA CAMPANA

⚠ PRECAUCIÓN: Se recomienda que mas instaladores hagan la instalación debido al gran tamaño y peso de esta campana.

1. Ajuste la altura del marco de soporte telescópico y bloquee con tornillos y arandelas (Fig. 9).

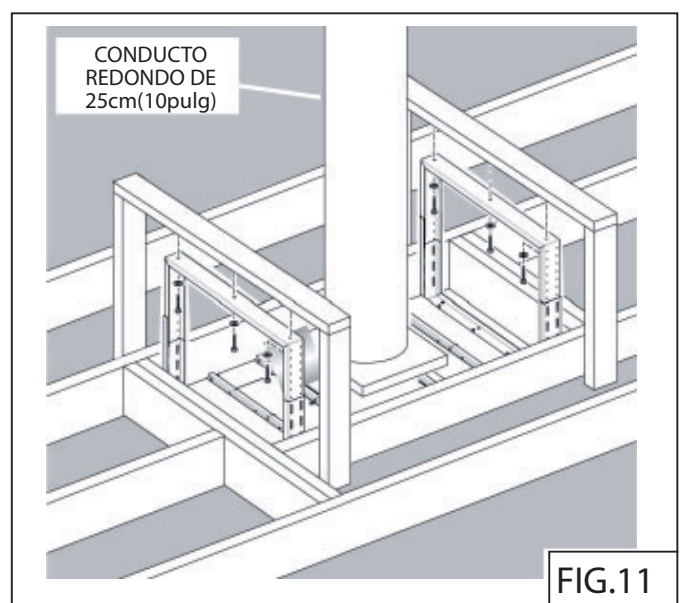
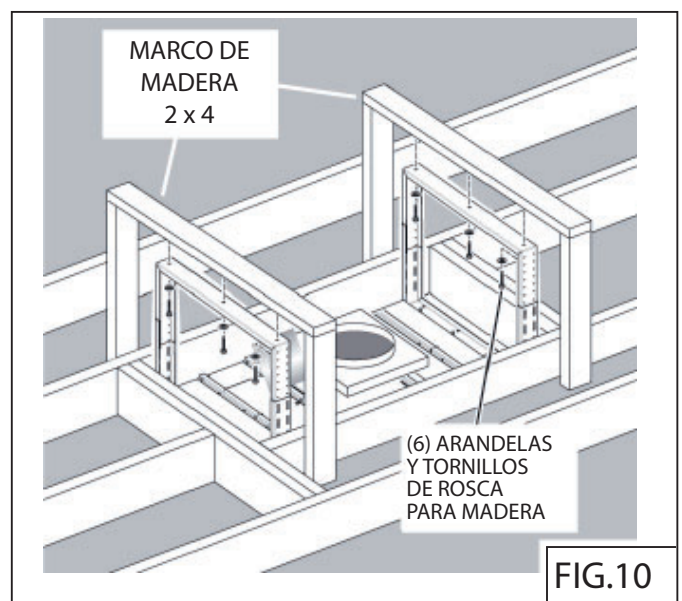
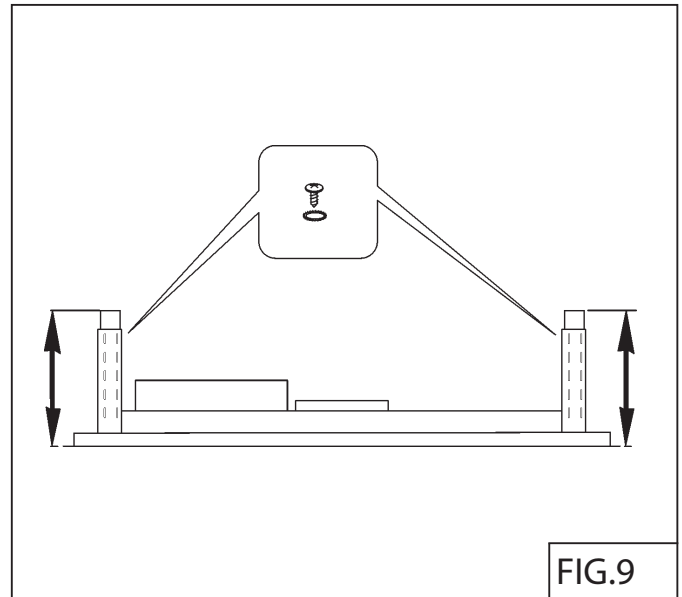
⚠ ATENCIÓN: Ajustar la altura antes de la instalación.

2. Levante la campana hacia la abertura del cielo raso.

3. Asegure cada marco de soporte con el marco de soporte de madera de la campana con los (6) tornillos para madera de 6 x 60 mm y las arandelas suministradas. Fig 10.

4. Instale el ventilador exterior o el ventilador en línea siguiendo las instrucciones proporcionadas con el ventilador. Fig.11

5. Pegue con cinta todas las uniones para garantizar un sello de aire hermético.



CONECTE EL CABLEADO

⚡ ⚠️ ADVERTENCIA: Una o más personas calificadas deben realizar el trabajo de cableado eléctrico, de acuerdo con todos los códigos y las normas correspondientes. Esta campana debe estar adecuadamente conectada a tierra.

Retire la tapa del compartimiento eléctrico y los (2) tornillos Fig.12.

CONEXIÓN DEL VENTILADOR EN LA CAMPANA

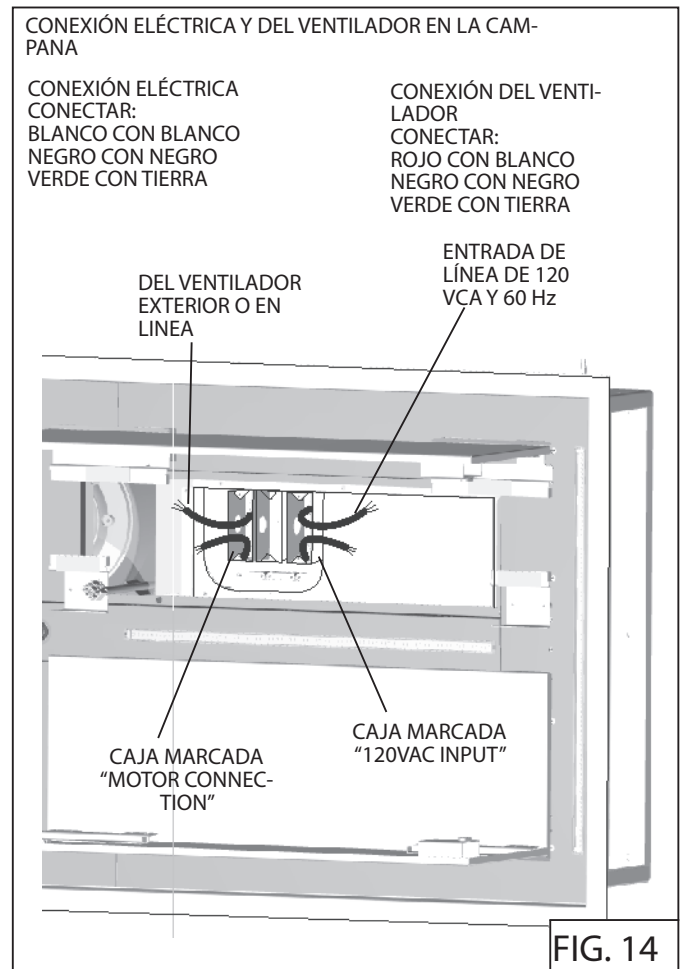
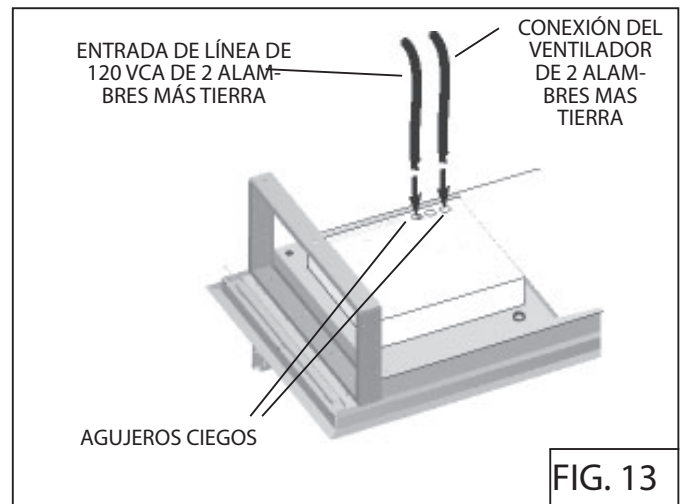
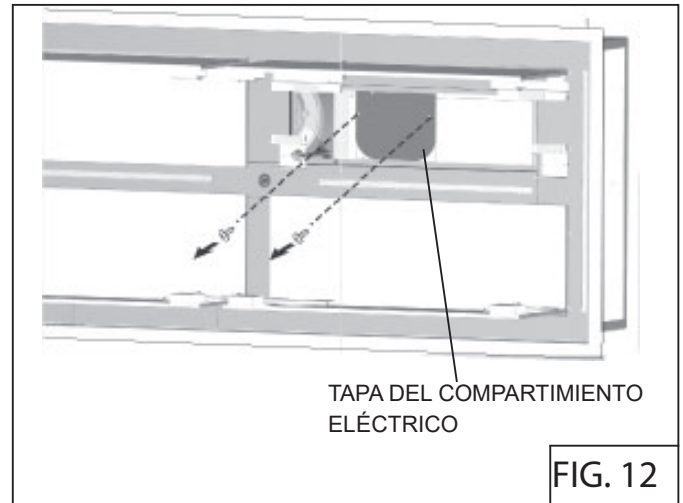
1. Coloque un cable eléctrico de 2 alambres más tierra hasta el agujero ciego de 3/4 pulg. que se encuentra en la parte posterior de la campana. Fig. 13.
2. Retire el agujero ciego eléctrico de 3/4 pulg. de la parte posterior de la campana.
3. Desde la caja eléctrica marcada como "CONEXIÓN DEL MOTOR" quite (2) tornillos que aseguran la cubierta a la caja de cableado metálica. Fig. 14.
4. Estire 6 pulg. (15 cm) de cable hacia la caja y asegúrelo con una abrazadera para cable adecuada.
5. Haga las conexiones eléctricas dentro de la caja "CONEXIÓN DEL MOTOR". Conecte rojo con blanco, negro con negro y verde con tierra.
6. Vuelva a colocar la cubierta de la caja de conexiones y los tornillos. Asegúrese de que los cables no queden atrapados entre la cubierta y la caja.

CONEXIONES EN EL VENTILADOR EXTERIOR O EN LÍNEA

1. Haga las conexiones eléctricas en el ventilador exterior o en línea (vea las instrucciones del ventilador).

CONEXIÓN DE LA CAMPANA

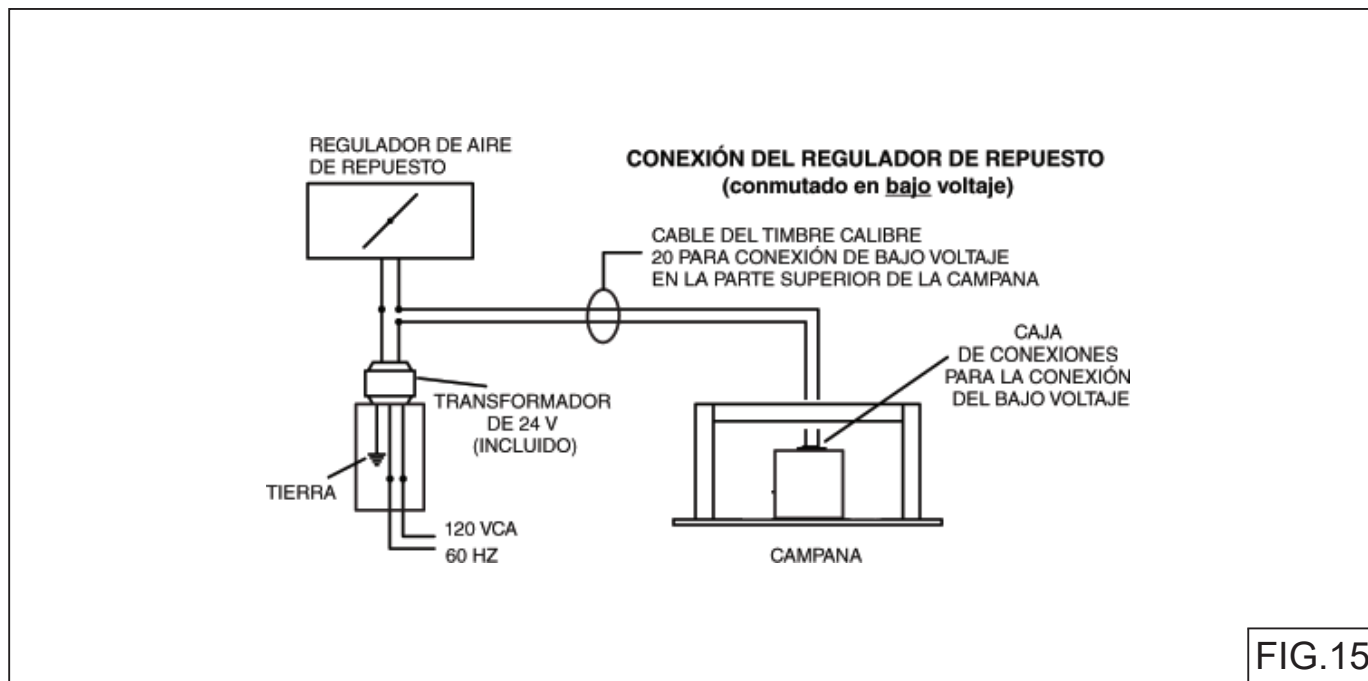
1. Coloque un cable eléctrico de 120 VCA, de 2 alambres más tierra hasta el agujero ciego de 3/4 pulg. que se encuentra en la parte posterior de la campana. Fig. 13.
2. Retire el agujero ciego eléctrico de 3/4 pulg. de la parte posterior de la campana.
3. Desde la caja eléctrica marcada como "ENTRADA DE 120 VCA" quite (2) tornillos que aseguran la cubierta a la caja de cableado metálica. Fig. 14.
4. Estire 6 pulg. (15 cm) de cable hacia la caja y asegúrelo con una abrazadera para cable adecuada.
5. Haga las conexiones eléctricas dentro de la caja "Entrada de 120 VCA". Conecte blanco con blanco, negro con negro y verde con tierra.
6. Vuelva a colocar la cubierta de la caja de conexiones y los tornillos. Asegúrese de que los cables no queden atrapados entre la cubierta y la caja.



REGULADOR DE AIRE DE REPUESTO

Precaución: La campana es compatible solamente con el regulador de aire de repuesto Broan, MD10T. Se compra por separado.

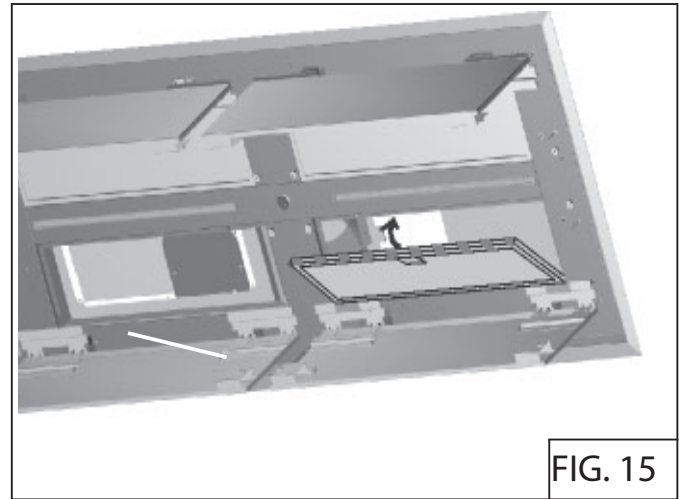
Realice la conexión del regulador de aire de repuesto con cableado de bajo voltaje, como se ilustra. Consulte información adicional en las instrucciones del regulador de aire de repuesto. (Fig. 15)



INSTALE LOS FILTROS

1. Para instalar los filtros antigrasa, alinee las aletas posteriores del filtro con las ranuras de la campana. Empuje hacia adentro la lengüeta del cierre, presione el filtro en su posición y suelte. Asegúrese de que el filtro esté firmemente enganchado después de su instalación. Fig. 15.
2. Para quitar los filtros para limpiarlos, presione hacia adentro la lengüeta del cierre para desprender el filtro de la campana. Inclíne el filtro hacia abajo y quítelo.

NOTA: Quite la película protectora de los filtros de grasa y todas las piezas de acero antes de cocinar debajo de la campana.



PROCEDIMIENTO DEL MODO DE PROGRAMACIÓN

La campana está diseñada para funcionar con diversos modelos diferentes de ventilador. Antes de usarlo, primero se debe programar el control según el modelo del ventilador, para obtener las velocidades adecuadas de funcionamiento. Del cuadro siguiente:

1. Encuentre el número de CONFIGURACIÓN que corresponde al modelo de ventilador instalado con su campana.
2. El control está programado en fábrica en CONFIGURACIÓN 3. Si el modelo de su ventilador está en la columna de CONFIGURACIÓN 3, no necesita programación. La campana está ahora lista para usar.

3. Para modelos de ventilador en las columnas de CONFIGURACIÓN 1 o 2, siga esta secuencia de programa:

A - La electricidad en la caja de servicio debe estar ACTIVADA mientras programa. El ventilador y las luces deben estar apagados.

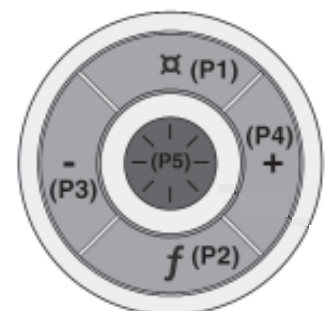
B. Presione P2 durante 3 segundos. El anillo de LED L1 destellará a 3 velocidades diferentes: velocidad de destello lenta = CONFIGURACIÓN 1; velocidad de destello media = CONFIGURACIÓN 2; velocidad de destello más rápida = CONFIGURACIÓN 3 (valor predeterminado de fábrica).

C. Para seleccionar la CONFIGURACIÓN adecuada, presione P3 (-) o P4 (+) para cambiar a CONFIGURACIÓN 1, 2 o 3.

D. Una vez que encuentre la configuración adecuada, presione P2 (f) para memorizar el ajuste.

E. La campana está ahora lista para usar.

	CONFIGURACIÓN 1	CONFIGURACIÓN 2	CONFIGURACIÓN 3 (predeterminada)
NUMERO DE MODELO DE VENTILADOR	EB6 ILB3 ILB6	EB12 EB15 ILB9	EB9 ILB11



Garantía limitada

Periodo de garantía y exclusiones: Broan-NuTone LLC (la «Compañía») garantiza al consumidor quien compra su producto («Usted») que el producto (el «Producto») será libre de defectos importantes de fabricación y de materiales por una duración de cinco (5) años a partir de la fecha de compra (o por una duración más larga si la ley aplicable lo exige) o un periodo de dos (2) años a partir de la fecha de prestación de un servicio sobre el Producto.

El periodo de garantía limitada para las piezas de repuesto proporcionadas por la Compañía y los Productos reparados o reemplazados bajo esta garantía limitada será el resto del periodo de garantía original (o un periodo más largo si la ley aplicable lo exige).

ESTA GARANTÍA EXCLUYE LOS ARRANCADORES DE LÁMPARAS FLUORESCENTES, LOS TUBOS, LAS BOMBILLAS, LOS FUSIBLES, LOS FILTROS, LOS CONDUCTOS, LAS TAPAS PARA TECHO, LAS TAPAS PARA PARED Y LOS OTROS ACCESORIOS PARA CONDUCTOS. También excluye: a) el mantenimiento normal, b) el uso y desgaste normales, c) los productos y las piezas que han sido objeto de un uso indebido, anormal o negligente, un maltrato, un accidente, un mantenimiento, almacenamiento o reparación inadecuados (excepto en caso de reparación por la Compañía), d) los daños causados por una instalación inadecuada, o por una instalación o un uso contrario a las recomendaciones o instrucciones, e) los daños causados por el contacto con el aire salino, f) los daños que ocurran durante el transporte, g) el desgaste normal del acabado, h) los Productos que son objeto de un uso comercial o no residencial, i) los daños causados por el fuego, una inundación u otro desastre natural o j) los Productos a los cuales se les haya alterado, desfigurado o removido el número de serie. Esta garantía solo cubre los Productos vendidos a consumidores de Norteamérica.

Esta garantía substituye todas las garantías anteriores y, sin perjuicio de la ley aplicable, no se puede transferir por el comprador original.

Ninguna otra garantía: Esta garantía limitada anuncia la única obligación de la Compañía y el único recurso que tiene Usted en cuanto a los Productos defectuosos. Las garantías enunciadas arriba son exclusivas y se anteponen a todas las otras garantías y condiciones, ya sean expresas o implícitas. **EN LA MEDIDA MÁXIMA EN QUE LO PERMITA LA LEY APLICABLE, LA COMPAÑÍA RENUNCIA A TODAS LAS OTRAS GARANTÍAS Y CONDICIONES EXPRESAS O IMPLÍCITAS POR LA LEY Y LAS EXCLUYE, INCLUYENDO, ENTRE OTRAS, LAS GARANTÍAS DE COMERCIALIZACIÓN Y LAS DE IDONEIDAD PARA UN PROPÓSITO PARTICULAR.** En la medida en que la ley aplicable prohíba la exclusión de las garantías o condiciones implícitas, la duración de cualquier garantía o condición implícita aplicable se limita al periodo indicado para la garantía expresa mencionada arriba. Ciertas jurisdicciones (incluyendo a veces la provincia de Quebec o ciertos estados de los Estados Unidos) prohíben la restricción de la duración de las garantías implícitas, así que la restricción mencionada arriba podría no aplicarse a Usted. Las descripciones orales o escritas del Producto tienen como único propósito identificar al Producto y no se deben interpretar como una garantía expresa.

Cuando sea posible, cada disposición de esta garantía limitada se debe interpretar de manera que tenga plena validez y efectos legales bajo la ley aplicable, pero en el caso de que se declare prohibida o nula una disposición, ésta será nula solo en la medida en que lo prevea esta prohibición o nulidad, sin efecto para los otros elementos de esta disposición o las otras disposiciones de esta garantía limitada.

Recurso: Durante el periodo de garantía limitada aplicable, la Compañía, según su criterio, proporcionará piezas de repuesto o servicios de reparación o reemplazo sin cargo alguno para cualquier Producto o pieza de Producto, en la medida en que la Compañía constata a) que esta garantía cubre este Producto o esta pieza bajo un uso y mantenimiento normales y b) que la garantía queda incumplida. La Compañía le enviará el Producto reparado, el producto de reemplazo o las piezas de repuesto sin cargo alguno. Usted tendrá que pagar todos los costos de desinstalación, reinstalación y envío así como los otros cargos de transporte relacionados con el envío del Producto o la pieza a la Compañía. Si Usted debe enviar el Producto o la pieza a la Compañía, conforme a las instrucciones de la misma, Usted tendrá que empaquetar el Producto o la pieza correctamente; la Compañía no es responsable de los daños que ocurran durante el transporte. La Compañía se reserva el derecho de utilizar Productos o piezas reacondicionados, renovados, reparados o remanufacturados para la reparación o el reemplazo bajo esta garantía. Estos Productos y piezas serán comparables en cuanto a la función y el rendimiento con el Producto o la pieza original y serán garantizados por la duración restante del periodo de garantía original (o por una duración más larga si la ley aplicable lo exige).

La Compañía se reserva el derecho, según su exclusivo criterio, de reembolsar el monto que Usted haya realmente pagado por el Producto. Si el Producto o la pieza ya no está disponible, la Compañía puede, según su exclusivo criterio, reemplazarlo con un producto similar de valor igual o superior. Esto constituye su único y exclusivo recurso en caso de incumplimiento de esta garantía limitada.

Exclusión de los daños: LA OBLIGACIÓN DE LA COMPAÑÍA DE PROPORCIONAR PIEZAS DE REPUESTO O DE REPARAR O REEMPLAZAR EL PRODUCTO, SEGÚN SU CRITERIO, ES EL ÚNICO Y EXCLUSIVO RECURSO QUE TIENE USTED BAJO ESTA GARANTÍA LIMITADA Y LA ÚNICA OBLIGACIÓN DE LA COMPAÑÍA. ÉSTA NO SERÁ RESPONSABLE DE LOS DAÑOS INCIDENTALES, INDIRECTOS, CONSECUENTES O ESPECIALES CAUSADOS DIRECTAMENTE O INDIRECTAMENTE POR EL PRODUCTO, SU USO O SU RENDIMIENTO.

Puesto que ciertas jurisdicciones prohíben la exclusión o restricción de los daños incidentales o consecuentes, la exclusión o restricción mencionada arriba podría no aplicarse a Usted. Esta garantía le otorga derechos legales específicos, y Usted también podría tener otros derechos, los cuales pueden ser diferentes según la jurisdicción. Las renunciaciones, exclusiones y restricciones de responsabilidad bajo esta garantía no se aplican en la medida en que lo prohíba la ley aplicable.

Esta garantía solo cubre el reemplazo o la reparación de las piezas o los Productos defectuosos al sitio de negocio principal de la Compañía; los gastos de viaje y estancia relacionados con los servicios de campo están excluidos.

Cualquier asistencia proporcionada u obtenida para Usted por la Compañía y que no está cubierta por las condiciones, restricciones o exclusiones de esta garantía limitada no constituye una renuncia a estas condiciones, restricciones y exclusiones, y la prestación de dicha asistencia no prolongará o restablecerá la garantía.

La Compañía le reembolsará los gastos que Usted haya hecho por la reparación o el reemplazo de un Producto defectuoso, excepto si Usted ha previamente recibido el permiso escrito de la Compañía por ellos.

Cómo obtener el servicio de garantía: Para tener derecho al servicio de garantía, Usted debe a) informar la Compañía a la dirección o al número de teléfono escrito aquí abajo dentro de siete (7) días después de que haya descubierto el defecto cubierto, b) dar el número de

serie y los datos de identificación de la pieza y c) describir la naturaleza de cualquier defecto del Producto o de la pieza. Cuando solicite el servicio de garantía, Usted tiene que presentar una prueba de la fecha de compra original. Si no puede proporcionar una copia de la versión escrita original de la garantía limitada, las condiciones de la versión más reciente de la garantía limitada de la Compañía para su producto se aplicarán.

ESPECIFICACIONES DEL PRODUCTO

Todas las ilustraciones y las especificaciones en este catálogo están establecidas según la información que era la más reciente en el momento en cual fue producido. Broan-NuTone LLC y BEST® se reservan el derecho de cambiar, en cualquier momento y sin previo aviso, los precios, colores, materiales, productos, especificaciones y modelos y el lugar de fabricación, así como de parar la producción de un modelo o producto.

Best

Broan-NuTone, LLC: 926 W. State Street, Hartford, WI 53207

1 800 637-1453

Best®, 550, boul. Lemire, Drummondville (Québec), Canada (1 866 737-7770) www.bestrangehoods.com

PIEZAS DE SERVICIO

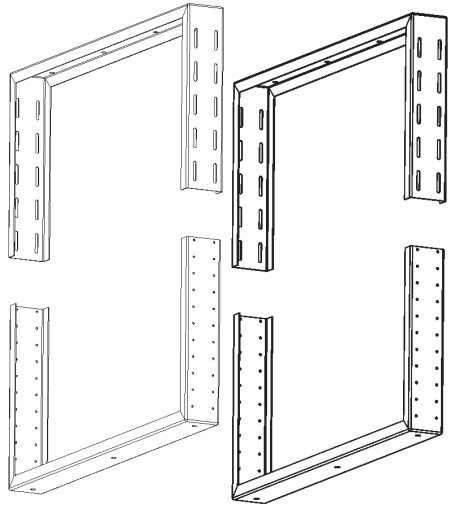
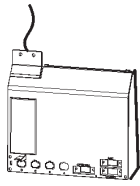
Modelo CC34E63SB

CLAVE N.º	PIEZA N.º	DESCRIPCIÓN
1	B003103711	MARCO
9	B08087836	FILTRO ANTIGRASA
26	B023004301	LED
115	BE3350233	CAJA DE CONEXIÓN DEL CABLE DE ALIMENTACIÓN
116	BE3334252	CUBIERTA DE LA CAJA DE CONEXIÓN DEL CABLE DE ALIMENTACIÓN
343	B08094449	TAPA DEL COMPARTIMIENTO ELÉCTRICO
362	B02011422	IMÁN
477	B02011376	BISAGRA
508	B02301083	CABLE DE COMANDOS
511	B06102809	JUEGO DRIVER
998	B080810962	JUEGO DE UNIONES
999	B080814338	JUEGO DE INSTRUCCIONES PARA INSTALACIÓN
IME	B06102808	CONJUNTO DE INSTALACIÓN ELÉCTRICA
AQI	B06102813	CONJUNTO DE LA CAJA DE COMANDOS
ARU	BE3405192	JUEGO DE SALIDA DE AIRE
ACR3	B08999186	CONTROL REMOTO

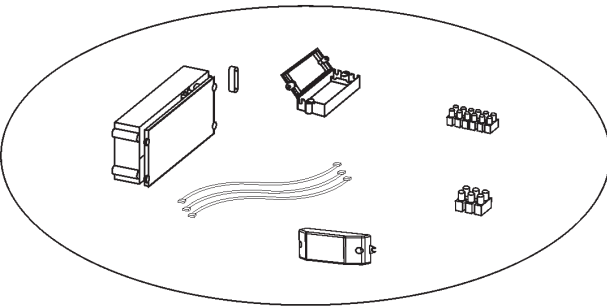
PIEZAS DE SERVICIO

Modelo CC34E63SB

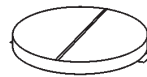
IME



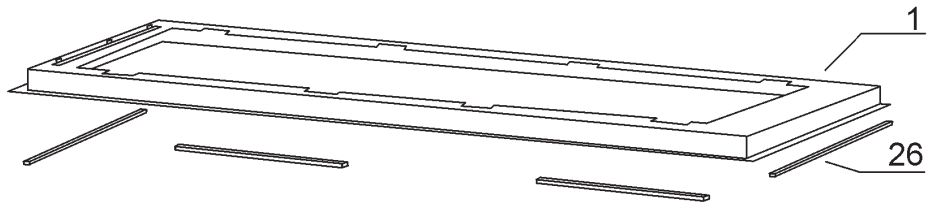
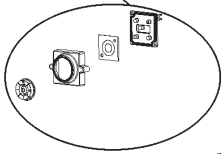
511



ARU



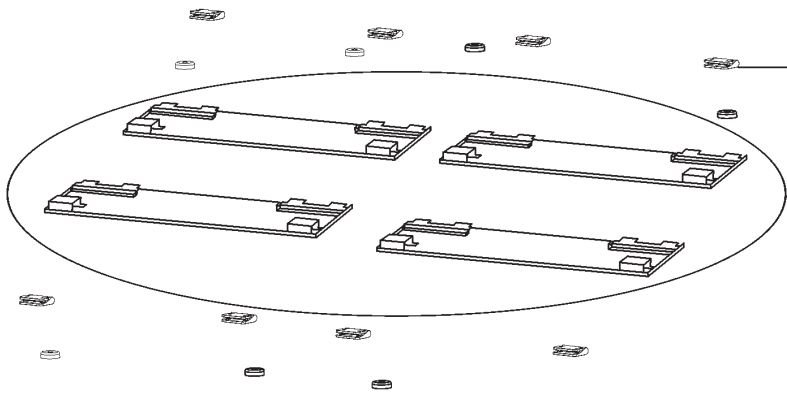
AQI



508

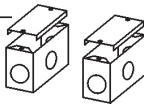


477

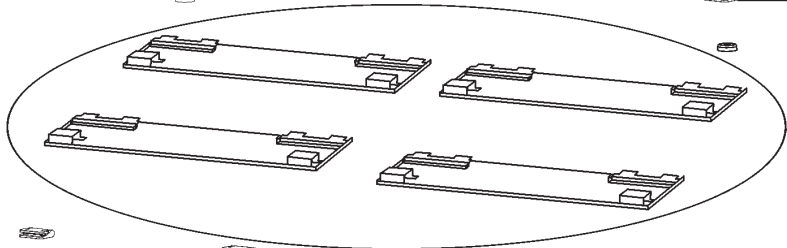


116

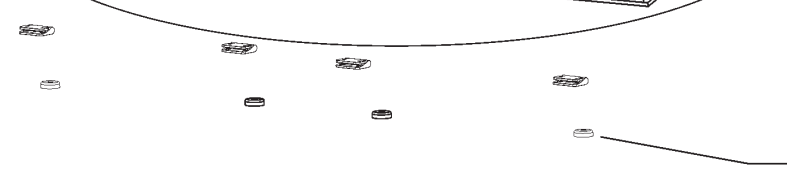
115



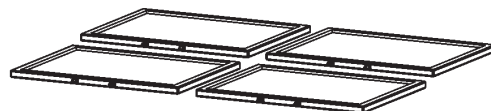
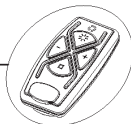
343



362



ACR3



9

